



Full wwPDB X-ray Structure Validation Report ⓘ

Jun 7, 2020 – 01:46 am BST

PDB ID : 6FU1
Title : Crystal structure of Schistosoma mansoni HDAC8 complexed with a n-alkyl hydroxamate
Authors : Marek, M.; Shaik, T.B.; Romier, C.
Deposited on : 2018-02-26
Resolution : 1.55 Å(reported)

This is a Full wwPDB X-ray Structure Validation Report for a publicly released PDB entry.

We welcome your comments at validation@mail.wwpdb.org

A user guide is available at

<https://www.wwpdb.org/validation/2017/XrayValidationReportHelp>

with specific help available everywhere you see the ⓘ symbol.

The following versions of software and data (see [references ⓘ](#)) were used in the production of this report:

MolProbity : 4.02b-467
Mogul : 1.8.5 (274361), CSD as541be (2020)
Xtriage (Phenix) : 1.13
EDS : 2.11
buster-report : 1.1.7 (2018)
Percentile statistics : 20191225.v01 (using entries in the PDB archive December 25th 2019)
Refmac : 5.8.0158
CCP4 : 7.0.044 (Gargrove)
Ideal geometry (proteins) : Engh & Huber (2001)
Ideal geometry (DNA, RNA) : Parkinson et al. (1996)
Validation Pipeline (wwPDB-VP) : 2.11

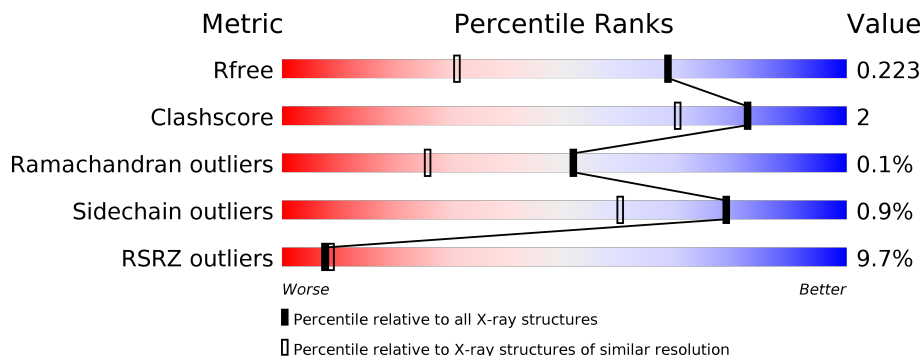
1 Overall quality at a glance

The following experimental techniques were used to determine the structure:

X-RAY DIFFRACTION

The reported resolution of this entry is 1.55 Å.

Percentile scores (ranging between 0-100) for global validation metrics of the entry are shown in the following graphic. The table shows the number of entries on which the scores are based.



Metric	Whole archive (#Entries)	Similar resolution (#Entries, resolution range(Å))
R_{free}	130704	2556 (1.56-1.52)
Clashscore	141614	2634 (1.56-1.52)
Ramachandran outliers	138981	2580 (1.56-1.52)
Sidechain outliers	138945	2577 (1.56-1.52)
RSRZ outliers	127900	2524 (1.56-1.52)

The table below summarises the geometric issues observed across the polymeric chains and their fit to the electron density. The red, orange, yellow and green segments on the lower bar indicate the fraction of residues that contain outliers for ≥ 3 , 2, 1 and 0 types of geometric quality criteria respectively. A grey segment represents the fraction of residues that are not modelled. The numeric value for each fraction is indicated below the corresponding segment, with a dot representing fractions $\leq 5\%$. The upper red bar (where present) indicates the fraction of residues that have poor fit to the electron density. The numeric value is given above the bar.

Mol	Chain	Length	Quality of chain
1	A	446	
1	B	446	
1	C	446	
1	D	446	

2 Entry composition i

There are 6 unique types of molecules in this entry. The entry contains 13624 atoms, of which 0 are hydrogens and 0 are deuteriums.

In the tables below, the ZeroOcc column contains the number of atoms modelled with zero occupancy, the AltConf column contains the number of residues with at least one atom in alternate conformation and the Trace column contains the number of residues modelled with at most 2 atoms.

- Molecule 1 is a protein called Histone deacetylase.

Mol	Chain	Residues	Atoms					ZeroOcc	AltConf	Trace
			Total	C	N	O	S			
1	A	395	3188	2059	528	585	16	0	6	0
1	B	411	3295	2121	551	604	19	0	6	0
1	C	407	3265	2106	544	596	19	0	6	0
1	D	396	3187	2059	528	584	16	0	4	0

There are 24 discrepancies between the modelled and reference sequences:

Chain	Residue	Modelled	Actual	Comment	Reference
A	441	GLY	-	expression tag	UNP A5H660
A	442	SER	-	expression tag	UNP A5H660
A	443	LEU	-	expression tag	UNP A5H660
A	444	VAL	-	expression tag	UNP A5H660
A	445	PRO	-	expression tag	UNP A5H660
A	446	ARG	-	expression tag	UNP A5H660
B	441	GLY	-	expression tag	UNP A5H660
B	442	SER	-	expression tag	UNP A5H660
B	443	LEU	-	expression tag	UNP A5H660
B	444	VAL	-	expression tag	UNP A5H660
B	445	PRO	-	expression tag	UNP A5H660
B	446	ARG	-	expression tag	UNP A5H660
C	441	GLY	-	expression tag	UNP A5H660
C	442	SER	-	expression tag	UNP A5H660
C	443	LEU	-	expression tag	UNP A5H660
C	444	VAL	-	expression tag	UNP A5H660
C	445	PRO	-	expression tag	UNP A5H660
C	446	ARG	-	expression tag	UNP A5H660
D	441	GLY	-	expression tag	UNP A5H660
D	442	SER	-	expression tag	UNP A5H660
D	443	LEU	-	expression tag	UNP A5H660

Continued on next page...

Continued from previous page...

Chain	Residue	Modelled	Actual	Comment	Reference
D	444	VAL	-	expression tag	UNP A5H660
D	445	PRO	-	expression tag	UNP A5H660
D	446	ARG	-	expression tag	UNP A5H660

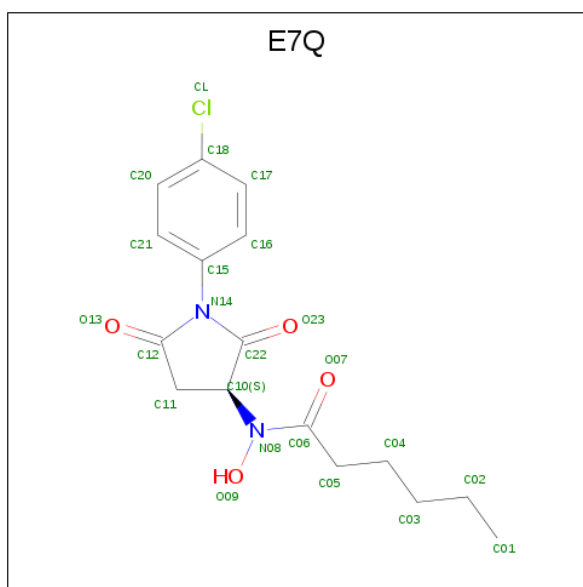
- Molecule 2 is ZINC ION (three-letter code: ZN) (formula: Zn).

Mol	Chain	Residues	Atoms	ZeroOcc	AltConf
2	B	1	Total Zn 1 1	0	0
2	A	1	Total Zn 1 1	0	0
2	D	1	Total Zn 1 1	0	0
2	C	1	Total Zn 1 1	0	0

- Molecule 3 is POTASSIUM ION (three-letter code: K) (formula: K).

Mol	Chain	Residues	Atoms	ZeroOcc	AltConf
3	B	2	Total K 2 2	0	0
3	A	2	Total K 2 2	0	0
3	D	2	Total K 2 2	0	0
3	C	2	Total K 2 2	0	0

- Molecule 4 is {N}-[(3 {S})-1-(4-chlorophenyl)-2,5-bis(oxidanylidene)pyrrolidin-3-yl]- {N}-oxidanyl-hexanamide (three-letter code: E7Q) (formula: C₁₆H₁₉ClN₂O₄).



Mol	Chain	Residues	Atoms				ZeroOcc	AltConf	
			Total	C	Cl	N			O
4	A	1	23	16	1	2	4	0	0
4	A	1	14	10	1	1	2	0	0
4	B	1	9	6	1	2		0	0
4	B	1	14	10	1	1	2	0	0

- Molecule 5 is GLYCEROL (three-letter code: GOL) (formula: C₃H₈O₃).



Mol	Chain	Residues	Atoms	ZeroOcc	AltConf
5	A	1	Total C O 6 3 3	0	0
5	B	1	Total C O 6 3 3	0	0
5	C	1	Total C O 6 3 3	0	0

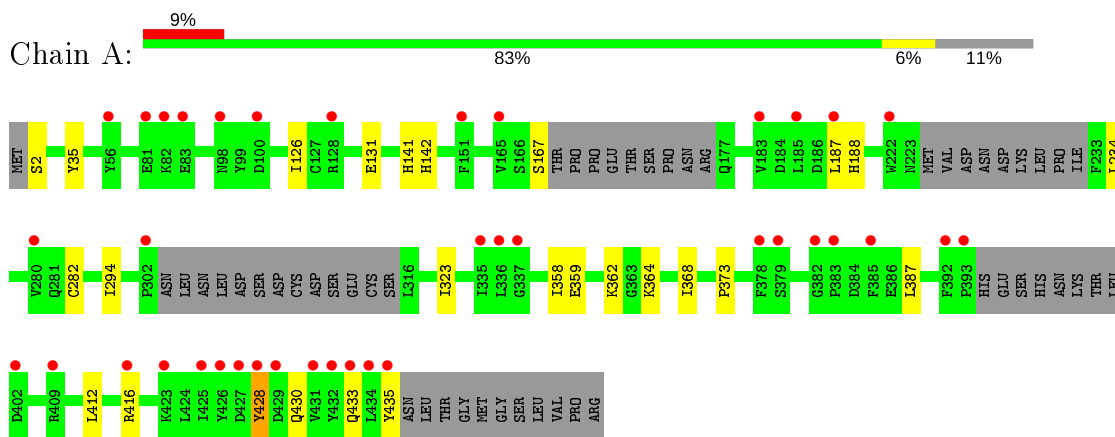
- Molecule 6 is water.

Mol	Chain	Residues	Atoms	ZeroOcc	AltConf
6	A	141	Total O 141 141	0	0
6	B	166	Total O 166 166	0	0
6	C	167	Total O 167 167	0	0
6	D	125	Total O 125 125	0	0

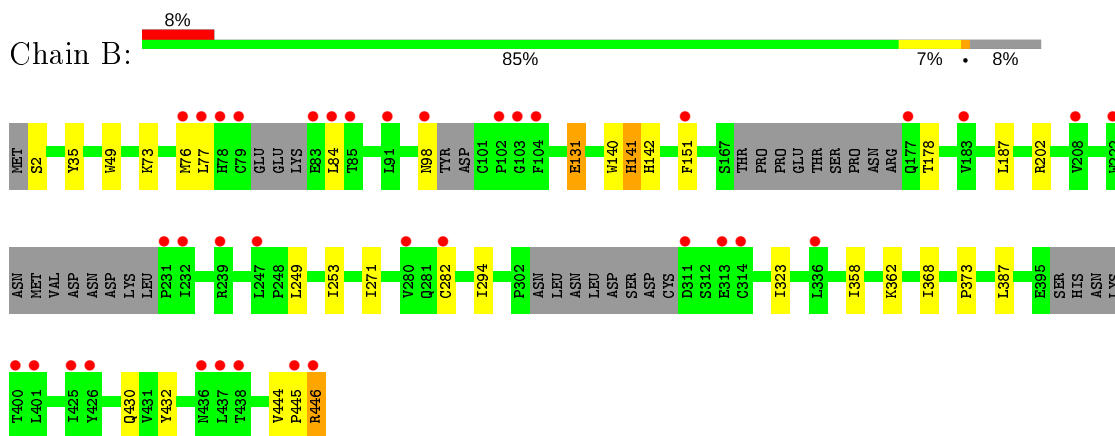
3 Residue-property plots [i](#)

These plots are drawn for all protein, RNA and DNA chains in the entry. The first graphic for a chain summarises the proportions of the various outlier classes displayed in the second graphic. The second graphic shows the sequence view annotated by issues in geometry and electron density. Residues are color-coded according to the number of geometric quality criteria for which they contain at least one outlier: green = 0, yellow = 1, orange = 2 and red = 3 or more. A red dot above a residue indicates a poor fit to the electron density ($RSRZ > 2$). Stretches of 2 or more consecutive residues without any outlier are shown as a green connector. Residues present in the sample, but not in the model, are shown in grey.

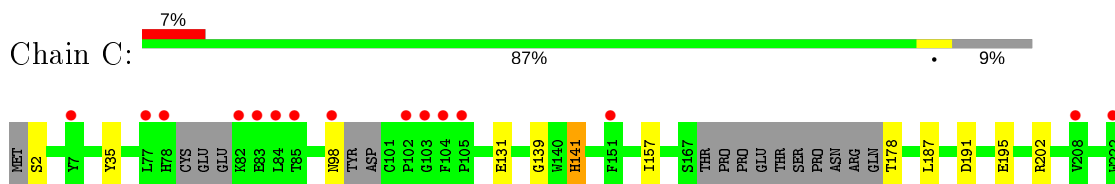
- Molecule 1: Histone deacetylase

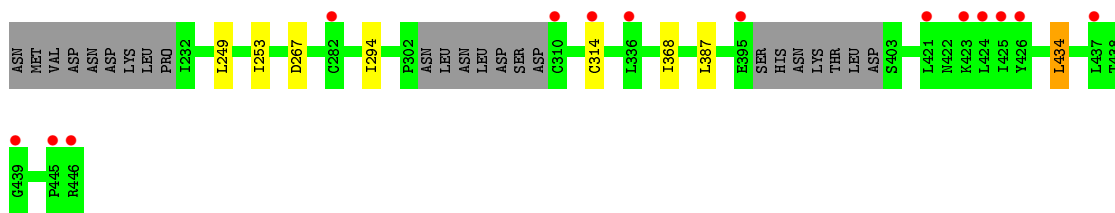


- Molecule 1: Histone deacetylase

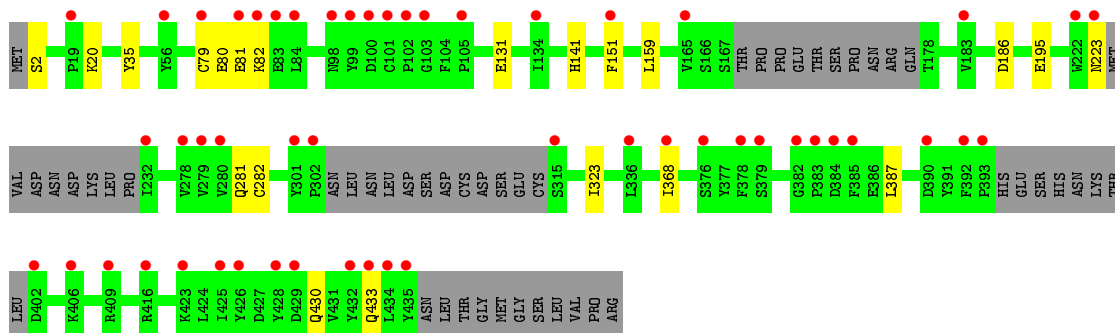
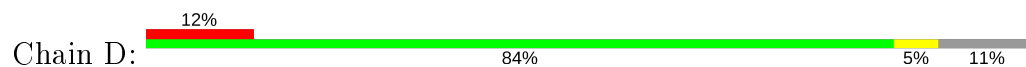


- Molecule 1: Histone deacetylase





- Molecule 1: Histone deacetylase



4 Data and refinement statistics

Property	Value	Source
Space group	P 1	Depositor
Cell constants a, b, c, α , β , γ	70.71Å 70.69Å 99.19Å 75.33° 77.78° 84.80°	Depositor
Resolution (Å)	41.96 – 1.55 41.96 – 1.55	Depositor EDS
% Data completeness (in resolution range)	95.7 (41.96-1.55) 95.7 (41.96-1.55)	Depositor EDS
R_{merge}	0.06	Depositor
R_{sym}	(Not available)	Depositor
$\langle I/\sigma(I) \rangle$ ¹	1.02 (at 1.55Å)	Xtrriage
Refinement program	PHENIX (1.10.1_2155: ???)	Depositor
R, R_{free}	0.199 , 0.223 0.200 , 0.223	Depositor DCC
R_{free} test set	12654 reflections (5.00%)	wwPDB-VP
Wilson B-factor (Å ²)	22.1	Xtrriage
Anisotropy	0.094	Xtrriage
Bulk solvent k_{sol} (e/Å ³), B_{sol} (Å ²)	0.39 , 54.9	EDS
L-test for twinning ²	$\langle L \rangle = 0.50$, $\langle L^2 \rangle = 0.33$	Xtrriage
Estimated twinning fraction	0.054 for -k,-h,-l	Xtrriage
F_o, F_c correlation	0.96	EDS
Total number of atoms	13624	wwPDB-VP
Average B, all atoms (Å ²)	29.0	wwPDB-VP

Xtrriage's analysis on translational NCS is as follows: *The largest off-origin peak in the Patterson function is 4.87% of the height of the origin peak. No significant pseudotranslation is detected.*

¹Intensities estimated from amplitudes.

²Theoretical values of $\langle |L| \rangle$, $\langle L^2 \rangle$ for acentric reflections are 0.5, 0.333 respectively for untwinned datasets, and 0.375, 0.2 for perfectly twinned datasets.

5 Model quality [i](#)

5.1 Standard geometry [i](#)

Bond lengths and bond angles in the following residue types are not validated in this section: GOL, ZN, K, E7Q

The Z score for a bond length (or angle) is the number of standard deviations the observed value is removed from the expected value. A bond length (or angle) with $|Z| > 5$ is considered an outlier worth inspection. RMSZ is the root-mean-square of all Z scores of the bond lengths (or angles).

Mol	Chain	Bond lengths		Bond angles	
		RMSZ	# Z >5	RMSZ	# Z >5
1	A	0.38	0/3295	0.54	0/4479
1	B	0.39	0/3402	0.56	0/4623
1	C	0.41	0/3372	0.56	0/4581
1	D	0.37	0/3289	0.54	0/4473
All	All	0.39	0/13358	0.55	0/18156

There are no bond length outliers.

There are no bond angle outliers.

There are no chirality outliers.

There are no planarity outliers.

5.2 Too-close contacts [i](#)

In the following table, the Non-H and H(model) columns list the number of non-hydrogen atoms and hydrogen atoms in the chain respectively. The H(added) column lists the number of hydrogen atoms added and optimized by MolProbity. The Clashes column lists the number of clashes within the asymmetric unit, whereas Symm-Clashes lists symmetry related clashes.

Mol	Chain	Non-H	H(model)	H(added)	Clashes	Symm-Clashes
1	A	3188	0	3086	18	0
1	B	3295	0	3203	23	0
1	C	3265	0	3174	12	0
1	D	3187	0	3084	11	0
2	A	1	0	0	0	0
2	B	1	0	0	0	0
2	C	1	0	0	0	0
2	D	1	0	0	0	0
3	A	2	0	0	0	0

Continued on next page...

Continued from previous page...

Mol	Chain	Non-H	H(model)	H(added)	Clashes	Symm-Clashes
3	B	2	0	0	0	0
3	C	2	0	0	0	0
3	D	2	0	0	0	0
4	A	37	0	0	2	0
4	B	23	0	0	5	0
5	A	6	0	8	1	0
5	B	6	0	8	0	0
5	C	6	0	8	0	0
6	A	141	0	0	0	0
6	B	166	0	0	1	0
6	C	167	0	0	0	0
6	D	125	0	0	1	0
All	All	13624	0	12571	64	0

The all-atom clashscore is defined as the number of clashes found per 1000 atoms (including hydrogen atoms). The all-atom clashscore for this structure is 2.

All (64) close contacts within the same asymmetric unit are listed below, sorted by their clash magnitude.

Atom-1	Atom-2	Interatomic distance (Å)	Clash overlap (Å)
1:D:80:GLU:O	1:D:82:LYS:N	2.17	0.78
1:B:142:HIS:NE2	4:B:504:E7Q:O09	2.23	0.72
1:B:35:TYR:CE1	1:B:368:ILE:HG23	2.26	0.71
1:C:35:TYR:CE1	1:C:368:ILE:HG23	2.26	0.70
1:A:35:TYR:CE1	1:A:368:ILE:HG23	2.30	0.67
1:B:141:HIS:NE2	4:B:504:E7Q:O09	2.25	0.66
1:C:267:ASP:HB3	1:C:434:LEU:HD11	1.80	0.63
1:A:234:LEU:HB2	5:A:505:GOL:H31	1.81	0.63
1:B:49:TRP:O	6:B:601:HOH:O	2.16	0.62
1:D:35:TYR:CE1	1:D:368:ILE:HG23	2.36	0.60
1:B:73:LYS:HA	1:B:76:MET:HE2	1.86	0.58
1:A:358:ILE:HG23	1:A:362:LYS:HD3	1.86	0.57
1:B:2:SER:N	1:B:131:GLU:OE1	2.37	0.57
1:D:2:SER:N	1:D:131:GLU:OE1	2.38	0.56
1:C:178:THR:HB	1:C:202:ARG:HH21	1.74	0.52
1:B:151:PHE:HD2	4:B:504:E7Q:C03	2.22	0.51
1:A:430:GLN:O	1:A:433:GLN:HG2	2.11	0.50
1:B:35:TYR:CD1	1:B:368:ILE:HG23	2.47	0.50
1:B:187:LEU:HD21	1:B:294:ILE:HD12	1.94	0.50
1:A:368:ILE:HG21	1:A:387:LEU:HD22	1.93	0.49
1:A:35:TYR:CD1	1:A:368:ILE:HG23	2.48	0.49

Continued on next page...

Continued from previous page...

Atom-1	Atom-2	Interatomic distance (Å)	Clash overlap (Å)
1:A:412:LEU:HD13	1:A:435:TYR:CE2	2.48	0.49
1:A:368:ILE:HG21	1:A:387:LEU:CD2	2.43	0.49
1:D:186:ASP:HB2	1:D:281:GLN:OE1	2.14	0.48
1:B:358:ILE:HG23	1:B:362:LYS:HD3	1.95	0.48
1:C:368:ILE:HG21	1:C:387:LEU:HD22	1.96	0.48
1:D:368:ILE:HG21	1:D:387:LEU:HD22	1.96	0.48
1:A:2:SER:N	1:A:131:GLU:OE2	2.47	0.47
1:C:187:LEU:HD21	1:C:294:ILE:HD12	1.96	0.47
1:C:35:TYR:CD1	1:C:368:ILE:HG23	2.49	0.47
1:C:191:ASP:O	1:C:195:GLU:HG2	2.15	0.46
1:B:271:ILE:HD13	1:B:430:GLN:HG2	1.97	0.46
1:C:368:ILE:HG21	1:C:387:LEU:CD2	2.46	0.46
1:A:126:ILE:HD13	1:A:167[B]:SER:OG	2.16	0.46
1:B:445:PRO:O	1:B:446:ARG:HB2	2.16	0.45
1:B:368:ILE:HG21	1:B:387:LEU:HD22	1.99	0.45
1:B:151:PHE:HB2	4:B:504:E7Q:C01	2.46	0.45
1:D:368:ILE:HG21	1:D:387:LEU:CD2	2.47	0.45
1:B:368:ILE:HG21	1:B:387:LEU:CD2	2.47	0.44
1:D:20:LYS:HE2	1:D:151[A]:PHE:CE2	2.53	0.44
1:D:430:GLN:O	1:D:433:GLN:HG2	2.18	0.44
1:B:282[B]:CYS:SG	1:B:323:ILE:HD11	2.58	0.44
1:B:98:ASN:ND2	1:B:98:ASN:O	2.50	0.44
1:B:432:TYR:HA	1:B:444:VAL:HG21	2.00	0.43
1:C:249:LEU:HD13	1:C:253:ILE:HD13	2.00	0.43
1:A:35:TYR:CZ	1:A:373:PRO:HD3	2.53	0.43
1:D:282[B]:CYS:SG	1:D:323:ILE:HD11	2.58	0.43
1:A:187:LEU:HD21	1:A:294:ILE:HD12	2.00	0.43
1:A:188:HIS:CE1	4:A:504:E7Q:C10	3.01	0.43
1:A:368:ILE:CG2	1:A:387:LEU:HD22	2.49	0.43
1:C:2:SER:N	1:C:131:GLU:OE2	2.51	0.43
1:A:282[B]:CYS:SG	1:A:323:ILE:HD11	2.59	0.42
1:B:178:THR:HB	1:B:202:ARG:HH21	1.84	0.42
1:D:195:GLU:OE2	6:D:601:HOH:O	2.22	0.42
1:D:159:LEU:HD23	1:D:159:LEU:HA	1.85	0.42
1:A:359:GLU:HG3	1:A:364:LYS:O	2.19	0.42
1:A:142:HIS:HD2	4:A:504:E7Q:C05	2.33	0.41
1:B:249:LEU:HD13	1:B:253:ILE:HD13	2.02	0.41
1:B:77:LEU:HD13	1:B:84:LEU:HG	2.02	0.41
1:C:141:HIS:H	1:C:141:HIS:CD2	2.38	0.41
1:B:140:TRP:CZ3	4:B:504:E7Q:C02	3.03	0.41
1:A:416:ARG:HD3	1:A:428:TYR:OH	2.21	0.41

Continued on next page...

Continued from previous page...

Atom-1	Atom-2	Interatomic distance (Å)	Clash overlap (Å)
1:B:35:TYR:CZ	1:B:373:PRO:HD3	2.55	0.41
1:C:139:GLY:HA2	1:C:157:ILE:HD11	2.04	0.40

There are no symmetry-related clashes.

5.3 Torsion angles [i](#)

5.3.1 Protein backbone [i](#)

In the following table, the Percentiles column shows the percent Ramachandran outliers of the chain as a percentile score with respect to all X-ray entries followed by that with respect to entries of similar resolution.

The Analysed column shows the number of residues for which the backbone conformation was analysed, and the total number of residues.

Mol	Chain	Analysed	Favoured	Allowed	Outliers	Percentiles	
1	A	390/446 (87%)	384 (98%)	6 (2%)	0	100	100
1	B	403/446 (90%)	398 (99%)	5 (1%)	0	100	100
1	C	399/446 (90%)	394 (99%)	5 (1%)	0	100	100
1	D	390/446 (87%)	385 (99%)	4 (1%)	1 (0%)	41	19
All	All	1582/1784 (89%)	1561 (99%)	20 (1%)	1 (0%)	51	26

All (1) Ramachandran outliers are listed below:

Mol	Chain	Res	Type
1	D	81	GLU

5.3.2 Protein sidechains [i](#)

In the following table, the Percentiles column shows the percent sidechain outliers of the chain as a percentile score with respect to all X-ray entries followed by that with respect to entries of similar resolution.

The Analysed column shows the number of residues for which the sidechain conformation was analysed, and the total number of residues.

Mol	Chain	Analysed	Rotameric	Outliers	Percentiles	
1	A	348/391 (89%)	346 (99%)	2 (1%)	86	72

Continued on next page...

Continued from previous page...

Mol	Chain	Analysed	Rotameric	Outliers	Percentiles	
1	B	362/391 (93%)	359 (99%)	3 (1%)	81	64
1	C	358/391 (92%)	353 (99%)	5 (1%)	67	39
1	D	347/391 (89%)	344 (99%)	3 (1%)	78	60
All	All	1415/1564 (90%)	1402 (99%)	13 (1%)	78	60

All (13) residues with a non-rotameric sidechain are listed below:

Mol	Chain	Res	Type
1	A	141	HIS
1	A	428	TYR
1	B	131	GLU
1	B	141	HIS
1	B	446	ARG
1	C	98	ASN
1	C	141	HIS
1	C	314[A]	CYS
1	C	314[B]	CYS
1	C	434	LEU
1	D	79	CYS
1	D	141	HIS
1	D	223	ASN

Some sidechains can be flipped to improve hydrogen bonding and reduce clashes. There are no such sidechains identified.

5.3.3 RNA [i](#)

There are no RNA molecules in this entry.

5.4 Non-standard residues in protein, DNA, RNA chains [i](#)

There are no non-standard protein/DNA/RNA residues in this entry.

5.5 Carbohydrates [i](#)

There are no carbohydrates in this entry.

5.6 Ligand geometry

Of 19 ligands modelled in this entry, 12 are monoatomic - leaving 7 for Mogul analysis.

In the following table, the Counts columns list the number of bonds (or angles) for which Mogul statistics could be retrieved, the number of bonds (or angles) that are observed in the model and the number of bonds (or angles) that are defined in the Chemical Component Dictionary. The Link column lists molecule types, if any, to which the group is linked. The Z score for a bond length (or angle) is the number of standard deviations the observed value is removed from the expected value. A bond length (or angle) with $|Z| > 2$ is considered an outlier worth inspection. RMSZ is the root-mean-square of all Z scores of the bond lengths (or angles).

Mol	Type	Chain	Res	Link	Bond lengths			Bond angles		
					Counts	RMSZ	# Z > 2	Counts	RMSZ	# Z > 2
4	E7Q	A	506	-	15,15,24	0.23	0	21,21,33	0.38	0
4	E7Q	B	504	2	8,8,24	0.85	1 (12%)	7,8,33	1.62	1 (14%)
5	GOL	A	505	-	5,5,5	0.45	0	5,5,5	0.78	0
4	E7Q	B	505	-	15,15,24	0.23	0	21,21,33	0.35	0
4	E7Q	A	504	2	23,24,24	0.26	0	26,33,33	0.93	1 (3%)
5	GOL	B	506	-	5,5,5	0.34	0	5,5,5	0.42	0
5	GOL	C	504	-	5,5,5	0.29	0	5,5,5	0.54	0

In the following table, the Chirals column lists the number of chiral outliers, the number of chiral centers analysed, the number of these observed in the model and the number defined in the Chemical Component Dictionary. Similar counts are reported in the Torsion and Rings columns. '-' means no outliers of that kind were identified.

Mol	Type	Chain	Res	Link	Chirals	Torsions	Rings
4	E7Q	A	506	-	-	0/4/17/33	0/2/2/2
4	E7Q	B	504	2	-	5/7/7/33	-
5	GOL	A	505	-	-	4/4/4/4	-
4	E7Q	B	505	-	-	0/4/17/33	0/2/2/2
4	E7Q	A	504	2	-	9/13/33/33	0/2/2/2
5	GOL	B	506	-	-	1/4/4/4	-
5	GOL	C	504	-	-	2/4/4/4	-

All (1) bond length outliers are listed below:

Mol	Chain	Res	Type	Atoms	Z	Observed(Å)	Ideal(Å)
4	B	504	E7Q	C06-N08	2.12	1.34	1.32

All (2) bond angle outliers are listed below:

Mol	Chain	Res	Type	Atoms	Z	Observed(°)	Ideal(°)
4	A	504	E7Q	O09-N08-C06	-3.97	112.76	118.69
4	B	504	E7Q	O09-N08-C06	-3.83	114.13	119.79

There are no chirality outliers.

All (21) torsion outliers are listed below:

Mol	Chain	Res	Type	Atoms
4	B	504	E7Q	C05-C06-N08-O09
4	B	504	E7Q	O07-C06-N08-O09
5	A	505	GOL	O1-C1-C2-C3
4	A	504	E7Q	C05-C06-N08-C10
4	A	504	E7Q	C05-C06-N08-O09
4	A	504	E7Q	O07-C06-N08-C10
4	A	504	E7Q	O07-C06-N08-O09
4	B	504	E7Q	C03-C04-C05-C06
4	B	504	E7Q	C02-C03-C04-C05
5	A	505	GOL	C1-C2-C3-O3
4	A	504	E7Q	C02-C03-C04-C05
4	B	504	E7Q	C01-C02-C03-C04
4	A	504	E7Q	C04-C05-C06-N08
4	A	504	E7Q	C04-C05-C06-O07
4	A	504	E7Q	C21-C15-N14-C12
5	B	506	GOL	O1-C1-C2-C3
5	C	504	GOL	O1-C1-C2-C3
5	C	504	GOL	C1-C2-C3-O3
5	A	505	GOL	O1-C1-C2-O2
5	A	505	GOL	O2-C2-C3-O3
4	A	504	E7Q	C03-C04-C05-C06

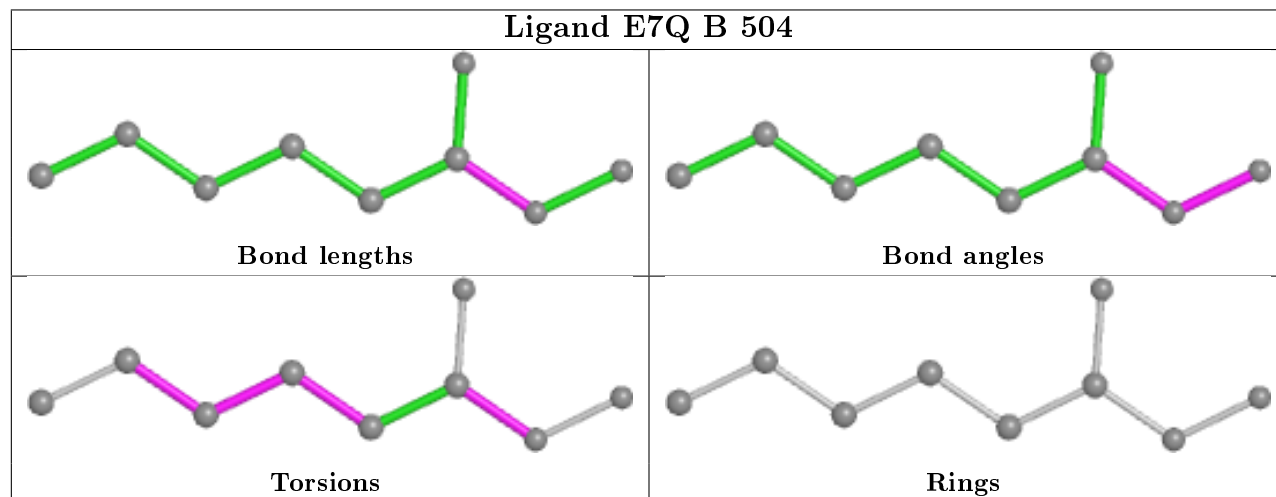
There are no ring outliers.

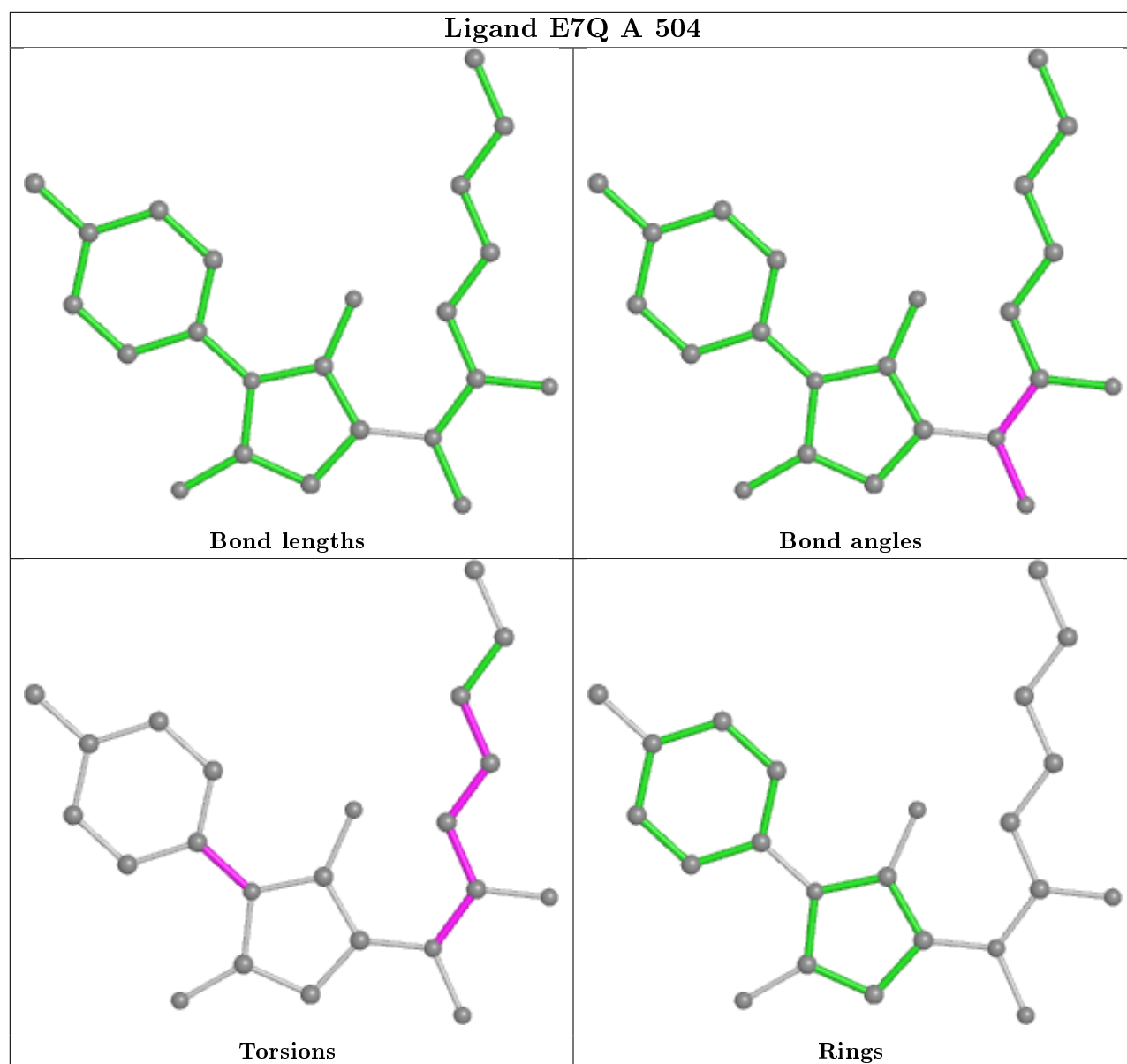
3 monomers are involved in 8 short contacts:

Mol	Chain	Res	Type	Clashes	Symm-Clashes
4	B	504	E7Q	5	0
5	A	505	GOL	1	0
4	A	504	E7Q	2	0

The following is a two-dimensional graphical depiction of Mogul quality analysis of bond lengths, bond angles, torsion angles, and ring geometry for all instances of the Ligand of Interest. In addition, ligands with molecular weight > 250 and outliers as shown on the validation Tables will also be included. For torsion angles, if less than 5% of the Mogul distribution of torsion angles is within 10 degrees of the torsion angle in question, then that torsion angle is considered an outlier. Any bond that is central to one or more torsion angles identified as an outlier by Mogul will be

highlighted in the graph. For rings, the root-mean-square deviation (RMSD) between the ring in question and similar rings identified by Mogul is calculated over all ring torsion angles. If the average RMSD is greater than 60 degrees and the minimal RMSD between the ring in question and any Mogul-identified rings is also greater than 60 degrees, then that ring is considered an outlier. The outliers are highlighted in purple. The color gray indicates Mogul did not find sufficient equivalents in the CSD to analyse the geometry.





5.7 Other polymers [i](#)

There are no such residues in this entry.

5.8 Polymer linkage issues [i](#)

There are no chain breaks in this entry.

6 Fit of model and data [i](#)

6.1 Protein, DNA and RNA chains [i](#)

In the following table, the column labelled ‘#RSRZ> 2’ contains the number (and percentage) of RSRZ outliers, followed by percent RSRZ outliers for the chain as percentile scores relative to all X-ray entries and entries of similar resolution. The OWAB column contains the minimum, median, 95th percentile and maximum values of the occupancy-weighted average B-factor per residue. The column labelled ‘Q< 0.9’ lists the number of (and percentage) of residues with an average occupancy less than 0.9.

Mol	Chain	Analysed	<RSRZ>	#RSRZ>2	OWAB(Å ²)	Q<0.9
1	A	395/446 (88%)	0.65	39 (9%) 7 8	16, 25, 56, 96	0
1	B	411/446 (92%)	0.51	36 (8%) 10 11	16, 24, 47, 94	0
1	C	407/446 (91%)	0.59	29 (7%) 16 18	16, 23, 46, 99	0
1	D	396/446 (88%)	0.83	52 (13%) 3 2	17, 27, 60, 100	0
All	All	1609/1784 (90%)	0.64	156 (9%) 7 9	16, 25, 50, 100	0

All (156) RSRZ outliers are listed below:

Mol	Chain	Res	Type	RSRZ
1	A	392	PHE	11.0
1	A	428	TYR	10.9
1	D	428	TYR	9.5
1	D	425	ILE	9.4
1	A	432	TYR	8.1
1	D	426	TYR	7.8
1	D	434	LEU	7.7
1	D	432	TYR	7.6
1	B	425	ILE	7.3
1	A	425	ILE	7.3
1	C	83	GLU	7.0
1	C	310	CYS	6.7
1	A	434	LEU	6.7
1	C	151[A]	PHE	6.4
1	A	426	TYR	6.3
1	A	435	TYR	5.8
1	D	429	ASP	5.7
1	D	81	GLU	5.6
1	B	83	GLU	5.2
1	A	429	ASP	5.0
1	C	82	LYS	5.0

Continued on next page...

Continued from previous page...

Mol	Chain	Res	Type	RSRZ
1	D	315	SER	5.0
1	D	392	PHE	4.9
1	C	425	ILE	4.9
1	B	79	CYS	4.9
1	B	400	THR	4.8
1	A	81	GLU	4.8
1	D	433	GLN	4.8
1	D	383	PRO	4.5
1	D	302	PRO	4.5
1	B	231	PRO	4.4
1	B	84	LEU	4.3
1	C	85	THR	4.3
1	C	314[A]	CYS	4.3
1	A	151[A]	PHE	4.2
1	B	77	LEU	4.2
1	D	79	CYS	4.1
1	D	379	SER	4.1
1	D	232	ILE	4.1
1	B	102	PRO	4.1
1	B	401	LEU	4.0
1	C	84	LEU	4.0
1	D	385	PHE	4.0
1	A	402	ASP	3.9
1	D	435	TYR	3.9
1	B	438	THR	3.9
1	B	104	PHE	3.9
1	B	314[A]	CYS	3.9
1	D	402	ASP	3.8
1	D	384	ASP	3.8
1	D	83	GLU	3.7
1	D	165	VAL	3.7
1	B	446	ARG	3.7
1	B	426	TYR	3.6
1	D	223	ASN	3.6
1	D	280	VAL	3.5
1	A	82	LYS	3.5
1	B	208	VAL	3.5
1	D	382	GLY	3.4
1	C	446	ARG	3.4
1	C	222	TRP	3.4
1	D	101	CYS	3.3
1	C	78	HIS	3.3

Continued on next page...

Continued from previous page...

Mol	Chain	Res	Type	RSRZ
1	D	336	LEU	3.2
1	B	222	TRP	3.1
1	C	102	PRO	3.1
1	B	437	LEU	3.1
1	D	99	TYR	3.1
1	B	177	GLN	3.1
1	D	102	PRO	3.1
1	D	105	PRO	3.0
1	A	379	SER	3.0
1	D	301	TYR	3.0
1	D	393	PRO	3.0
1	D	84	LEU	3.0
1	D	416	ARG	2.9
1	B	98	ASN	2.9
1	A	280	VAL	2.9
1	D	100	ASP	2.9
1	D	378	PHE	2.9
1	B	91	LEU	2.9
1	A	423	LYS	2.9
1	A	385	PHE	2.8
1	C	98	ASN	2.8
1	C	437	LEU	2.8
1	A	409	ARG	2.8
1	B	103	GLY	2.8
1	A	393	PRO	2.8
1	A	56	TYR	2.8
1	D	151[A]	PHE	2.7
1	C	421	LEU	2.7
1	B	313	GLU	2.7
1	A	335	ILE	2.7
1	A	378	PHE	2.7
1	A	187	LEU	2.7
1	A	183	VAL	2.7
1	D	183	VAL	2.7
1	C	395	GLU	2.7
1	D	409	ARG	2.6
1	A	433	GLN	2.6
1	B	232	ILE	2.6
1	B	183	VAL	2.6
1	C	104	PHE	2.6
1	C	208	VAL	2.6
1	C	445	PRO	2.5

Continued on next page...

Continued from previous page...

Mol	Chain	Res	Type	RSRZ
1	C	423	LYS	2.5
1	D	222	TRP	2.5
1	A	382	GLY	2.5
1	A	336	LEU	2.5
1	D	19	PRO	2.5
1	D	368	ILE	2.5
1	C	103	GLY	2.5
1	A	302	PRO	2.4
1	B	280	VAL	2.4
1	A	100	ASP	2.4
1	D	406	LYS	2.4
1	A	128	ARG	2.4
1	C	424	LEU	2.4
1	C	105	PRO	2.4
1	A	431	VAL	2.4
1	D	279	VAL	2.4
1	B	247	LEU	2.4
1	B	78	HIS	2.3
1	C	426	TYR	2.3
1	B	151	PHE	2.3
1	B	336	LEU	2.3
1	A	83	GLU	2.3
1	D	103	GLY	2.2
1	C	7	TYR	2.2
1	A	383	PRO	2.2
1	B	436	ASN	2.2
1	D	98	ASN	2.2
1	A	185	LEU	2.2
1	D	134	ILE	2.2
1	A	337	GLY	2.2
1	A	98	ASN	2.2
1	D	423	LYS	2.2
1	A	427	ASP	2.1
1	B	76	MET	2.1
1	D	376	SER	2.1
1	B	282[A]	CYS	2.1
1	C	77	LEU	2.1
1	A	165	VAL	2.1
1	B	85	THR	2.1
1	B	445	PRO	2.1
1	A	222	TRP	2.1
1	C	439	GLY	2.1

Continued on next page...

Continued from previous page...

Mol	Chain	Res	Type	RSRZ
1	C	336	LEU	2.1
1	B	311	ASP	2.1
1	D	390	ASP	2.1
1	B	239	ARG	2.0
1	D	56	TYR	2.0
1	D	278	VAL	2.0
1	C	282[A]	CYS	2.0
1	A	416	ARG	2.0
1	D	82	LYS	2.0

6.2 Non-standard residues in protein, DNA, RNA chains [\(i\)](#)

There are no non-standard protein/DNA/RNA residues in this entry.

6.3 Carbohydrates [\(i\)](#)

There are no carbohydrates in this entry.

6.4 Ligands [\(i\)](#)

In the following table, the Atoms column lists the number of modelled atoms in the group and the number defined in the chemical component dictionary. The B-factors column lists the minimum, median, 95th percentile and maximum values of B factors of atoms in the group. The column labelled 'Q< 0.9' lists the number of atoms with occupancy less than 0.9.

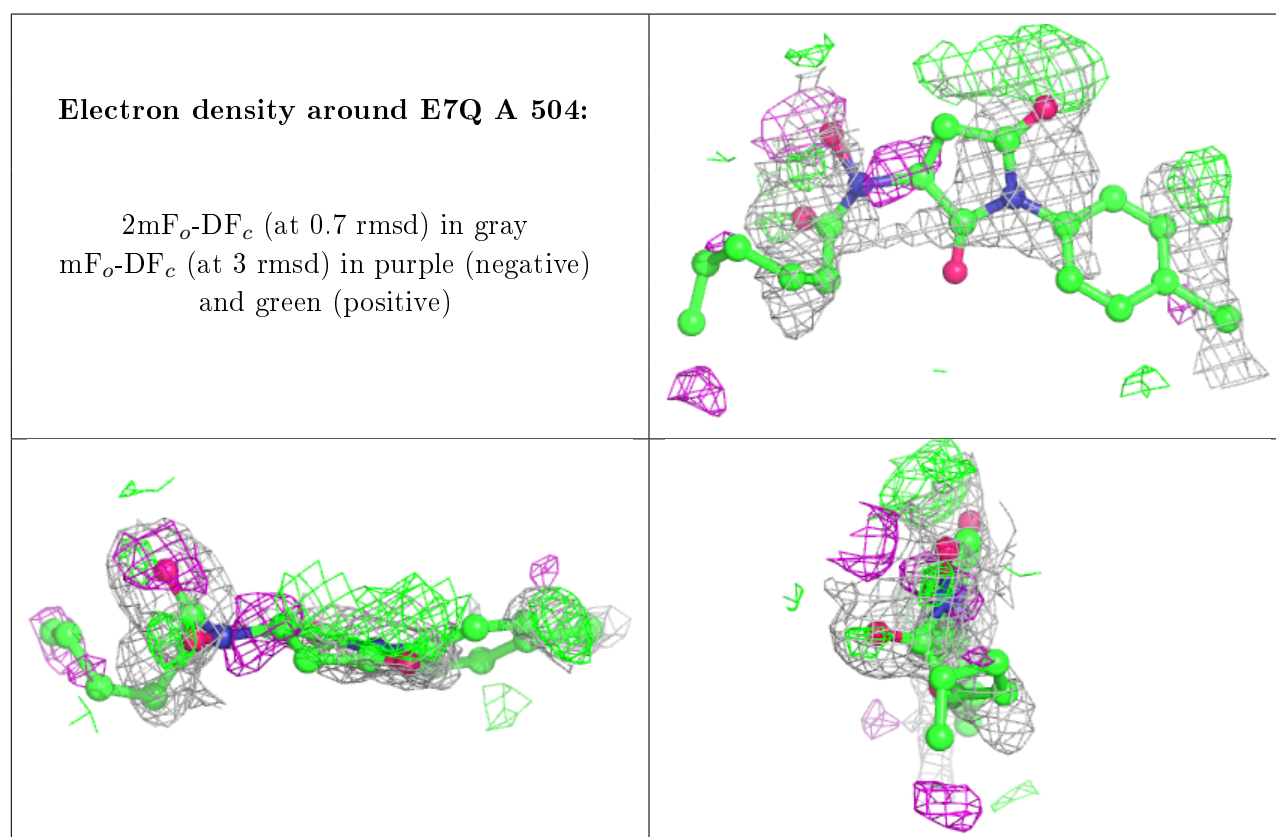
Mol	Type	Chain	Res	Atoms	RSCC	RSR	B-factors(Å ²)	Q<0.9
4	E7Q	A	504	23/23	0.78	0.38	35,78,87,94	0
5	GOL	B	506	6/6	0.81	0.13	26,31,35,35	0
4	E7Q	B	504	9/23	0.83	0.43	35,45,73,75	0
5	GOL	A	505	6/6	0.87	0.19	26,34,40,46	0
5	GOL	C	504	6/6	0.88	0.12	26,32,34,35	0
4	E7Q	B	505	14/23	0.90	0.09	22,29,33,38	0
4	E7Q	A	506	14/23	0.94	0.11	22,28,34,39	0
3	K	D	503	1/1	0.98	0.07	26,26,26,26	0
3	K	C	503	1/1	0.99	0.04	27,27,27,27	0
2	ZN	D	501	1/1	0.99	0.04	25,25,25,25	0
3	K	B	503	1/1	0.99	0.05	31,31,31,31	0
3	K	A	503	1/1	0.99	0.06	27,27,27,27	0
3	K	D	502	1/1	1.00	0.07	17,17,17,17	0
2	ZN	C	501	1/1	1.00	0.03	24,24,24,24	0

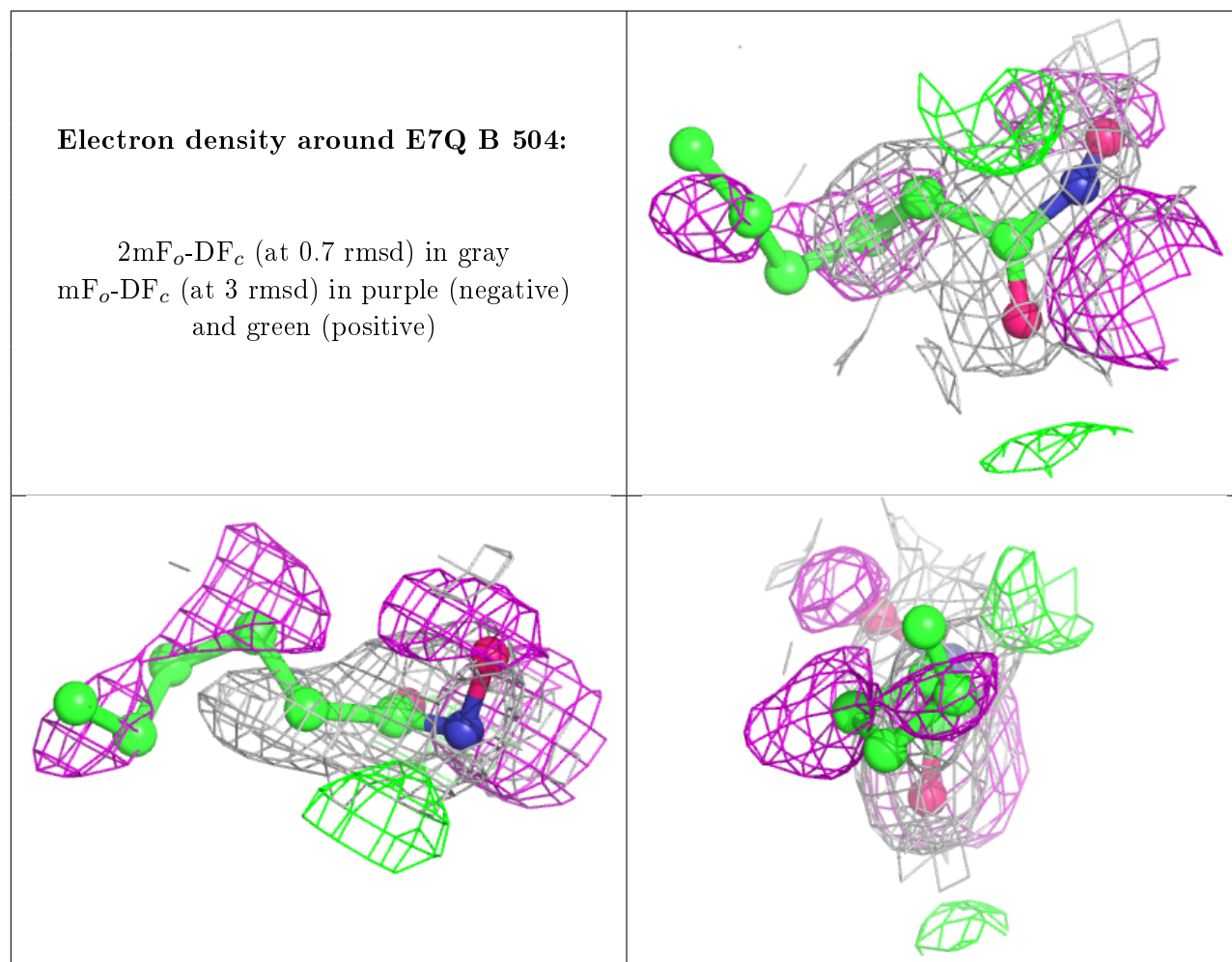
Continued on next page...

Continued from previous page...

Mol	Type	Chain	Res	Atoms	RSCC	RSR	B-factors(\AA^2)	Q<0.9
2	ZN	B	501	1/1	1.00	0.05	25,25,25,25	0
3	K	A	502	1/1	1.00	0.11	17,17,17,17	0
2	ZN	A	501	1/1	1.00	0.02	25,25,25,25	0
3	K	C	502	1/1	1.00	0.09	17,17,17,17	0
3	K	B	502	1/1	1.00	0.09	17,17,17,17	0

The following is a graphical depiction of the model fit to experimental electron density of all instances of the Ligand of Interest. In addition, ligands with molecular weight > 250 and outliers as shown on the geometry validation Tables will also be included. Each fit is shown from different orientation to approximate a three-dimensional view.





6.5 Other polymers [i](#)

There are no such residues in this entry.