



Full wwPDB X-ray Structure Validation Report ⓘ

Feb 21, 2024 – 03:59 AM EST

PDB ID : 4OKS
Title : Crystal Structure of Hepatitis C Virus NS3 Helicase Inhibitor Co-complex with Compound 19 [[6-(3,5-diaminophenyl)-1-(2-methoxy-5-nitrobenzyl)-1H-indol-3-yl]acetic acid]
Authors : Padyana, A.K.
Deposited on : 2014-01-22
Resolution : 2.25 Å(reported)

This is a Full wwPDB X-ray Structure Validation Report for a publicly released PDB entry.

We welcome your comments at validation@mail.wwpdb.org

A user guide is available at

<https://www.wwpdb.org/validation/2017/XrayValidationReportHelp>

with specific help available everywhere you see the ⓘ symbol.

The types of validation reports are described at

<http://www.wwpdb.org/validation/2017/FAQs#types>.

The following versions of software and data (see [references ⓘ](#)) were used in the production of this report:

MolProbity : 4.02b-467
Mogul : 1.8.5 (274361), CSD as541be (2020)
Xtrriage (Phenix) : 1.13
EDS : 2.36
buster-report : 1.1.7 (2018)
Percentile statistics : 20191225.v01 (using entries in the PDB archive December 25th 2019)
Refmac : 5.8.0158
CCP4 : 7.0.044 (Gargrove)
Ideal geometry (proteins) : Engh & Huber (2001)
Ideal geometry (DNA, RNA) : Parkinson et al. (1996)
Validation Pipeline (wwPDB-VP) : 2.36

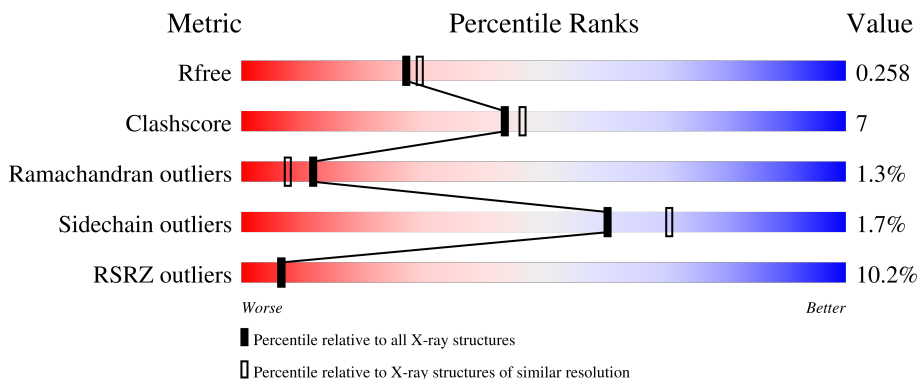
1 Overall quality at a glance

The following experimental techniques were used to determine the structure:

X-RAY DIFFRACTION

The reported resolution of this entry is 2.25 Å.

Percentile scores (ranging between 0-100) for global validation metrics of the entry are shown in the following graphic. The table shows the number of entries on which the scores are based.



Metric	Whole archive (#Entries)	Similar resolution (#Entries, resolution range(Å))
R_{free}	130704	1377 (2.26-2.26)
Clashscore	141614	1487 (2.26-2.26)
Ramachandran outliers	138981	1449 (2.26-2.26)
Sidechain outliers	138945	1450 (2.26-2.26)
RSRZ outliers	127900	1356 (2.26-2.26)

The table below summarises the geometric issues observed across the polymeric chains and their fit to the electron density. The red, orange, yellow and green segments of the lower bar indicate the fraction of residues that contain outliers for ≥ 3 , 2, 1 and 0 types of geometric quality criteria respectively. A grey segment represents the fraction of residues that are not modelled. The numeric value for each fraction is indicated below the corresponding segment, with a dot representing fractions $\leq 5\%$. The upper red bar (where present) indicates the fraction of residues that have poor fit to the electron density. The numeric value is given above the bar.

Mol	Chain	Length	Quality of chain
1	A	464	 12% 75% 18% • 5%
1	B	464	 7% 84% 7% • 8%

2 Entry composition i

There are 4 unique types of molecules in this entry. The entry contains 6892 atoms, of which 0 are hydrogens and 0 are deuteriums.

In the tables below, the ZeroOcc column contains the number of atoms modelled with zero occupancy, the AltConf column contains the number of residues with at least one atom in alternate conformation and the Trace column contains the number of residues modelled with at most 2 atoms.

- Molecule 1 is a protein called Serine protease NS3.

Mol	Chain	Residues	Atoms					ZeroOcc	AltConf	Trace
			Total	C	N	O	S			
1	A	440	3344	2116	564	641	23	0	5	0
1	B	427	3245	2057	548	616	24	40	5	0

There are 30 discrepancies between the modelled and reference sequences:

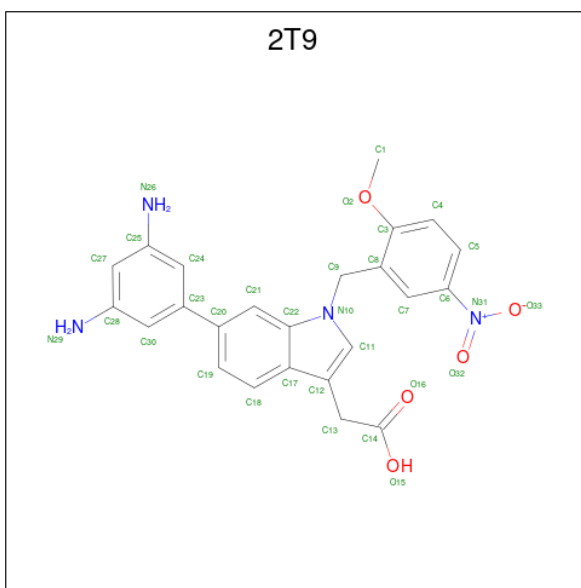
Chain	Residue	Modelled	Actual	Comment	Reference
A	167	MET	-	expression tag	UNP K4KA16
A	168	GLY	-	expression tag	UNP K4KA16
A	169	SER	-	expression tag	UNP K4KA16
A	170	SER	-	expression tag	UNP K4KA16
A	171	HIS	-	expression tag	UNP K4KA16
A	172	HIS	-	expression tag	UNP K4KA16
A	173	HIS	-	expression tag	UNP K4KA16
A	174	HIS	-	expression tag	UNP K4KA16
A	175	HIS	-	expression tag	UNP K4KA16
A	176	HIS	-	expression tag	UNP K4KA16
A	177	SER	-	expression tag	UNP K4KA16
A	178	SER	-	expression tag	UNP K4KA16
A	179	GLY	-	expression tag	UNP K4KA16
A	403	ASN	SER	conflict	UNP K4KA16
A	505	MET	THR	conflict	UNP K4KA16
B	167	MET	-	expression tag	UNP K4KA16
B	168	GLY	-	expression tag	UNP K4KA16
B	169	SER	-	expression tag	UNP K4KA16
B	170	SER	-	expression tag	UNP K4KA16
B	171	HIS	-	expression tag	UNP K4KA16
B	172	HIS	-	expression tag	UNP K4KA16
B	173	HIS	-	expression tag	UNP K4KA16
B	174	HIS	-	expression tag	UNP K4KA16
B	175	HIS	-	expression tag	UNP K4KA16
B	176	HIS	-	expression tag	UNP K4KA16

Continued on next page...

Continued from previous page...

Chain	Residue	Modelled	Actual	Comment	Reference
B	177	SER	-	expression tag	UNP K4KA16
B	178	SER	-	expression tag	UNP K4KA16
B	179	GLY	-	expression tag	UNP K4KA16
B	403	ASN	SER	conflict	UNP K4KA16
B	505	MET	THR	conflict	UNP K4KA16

- Molecule 2 is [6-(3,5-diaminophenyl)-1-(2-methoxy-5-nitrobenzyl)-1H-indol-3-yl]acetic acid (three-letter code: 2T9) (formula: C₂₄H₂₂N₄O₅).



Mol	Chain	Residues	Atoms			ZeroOcc	AltConf	
			Total	C	N			O
2	A	1	33	24	4	5	0	0

- Molecule 3 is CALCIUM ION (three-letter code: CA) (formula: Ca).

Mol	Chain	Residues	Atoms		ZeroOcc	AltConf
			Total	Ca		
3	A	2	2	2	0	0

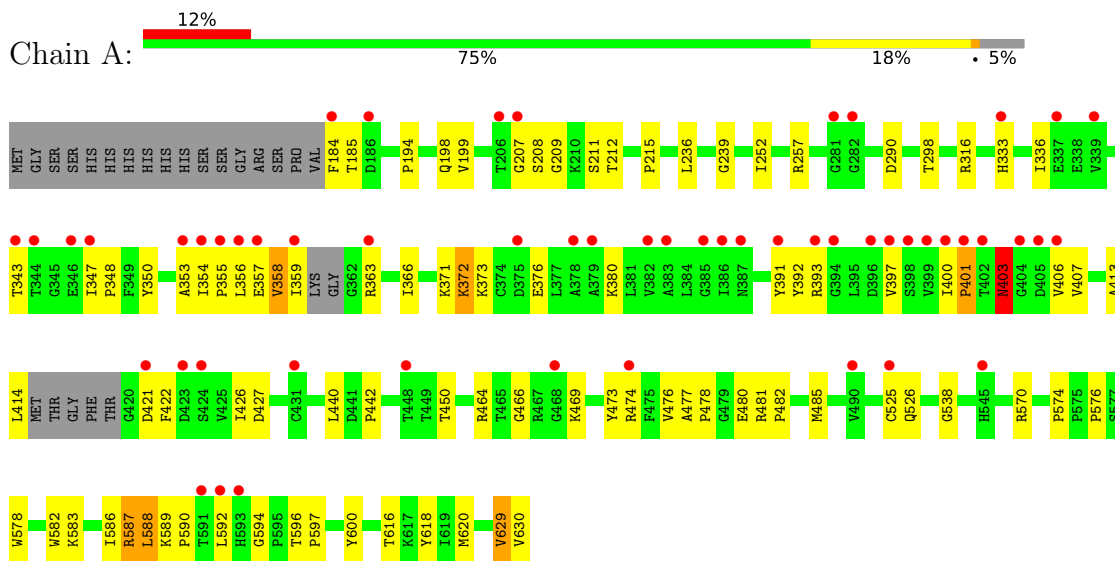
- Molecule 4 is water.

Mol	Chain	Residues	Atoms		ZeroOcc	AltConf
			Total	O		
4	A	137	137	137	0	0
4	B	131	131	131	0	0

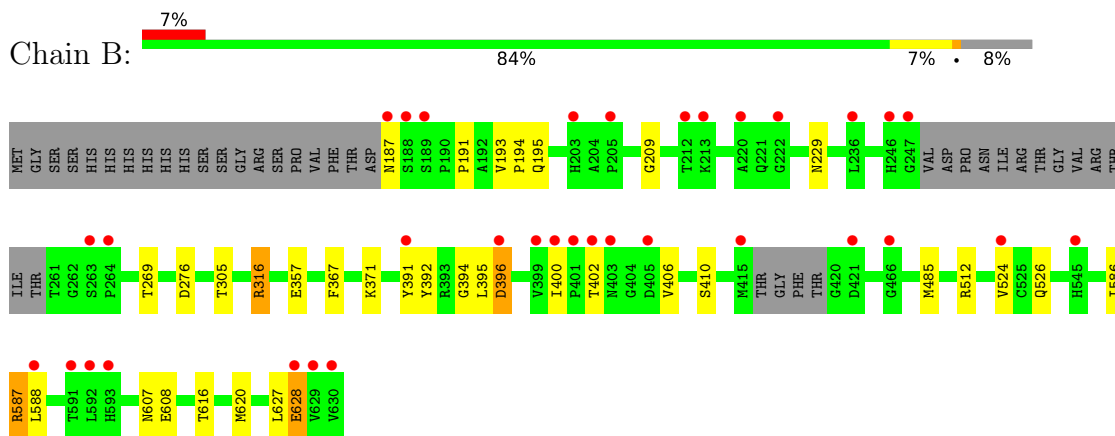
3 Residue-property plots [i](#)

These plots are drawn for all protein, RNA, DNA and oligosaccharide chains in the entry. The first graphic for a chain summarises the proportions of the various outlier classes displayed in the second graphic. The second graphic shows the sequence view annotated by issues in geometry and electron density. Residues are color-coded according to the number of geometric quality criteria for which they contain at least one outlier: green = 0, yellow = 1, orange = 2 and red = 3 or more. A red dot above a residue indicates a poor fit to the electron density ($RSRZ > 2$). Stretches of 2 or more consecutive residues without any outlier are shown as a green connector. Residues present in the sample, but not in the model, are shown in grey.

- Molecule 1: Serine protease NS3



- Molecule 1: Serine protease NS3



4 Data and refinement statistics

Property	Value	Source
Space group	P 21 21 21	Depositor
Cell constants a, b, c, α , β , γ	82.08Å 103.34Å 119.07Å 90.00° 90.00° 90.00°	Depositor
Resolution (Å)	43.73 – 2.25 43.73 – 2.25	Depositor EDS
% Data completeness (in resolution range)	99.9 (43.73-2.25) 97.4 (43.73-2.25)	Depositor EDS
R_{merge}	0.08	Depositor
R_{sym}	(Not available)	Depositor
$\langle I/\sigma(I) \rangle$ ¹	2.68 (at 2.24Å)	Xtrriage
Refinement program	PHENIX 1.8.4_1496	Depositor
R, R_{free}	0.204 , 0.258 0.206 , 0.258	Depositor DCC
R_{free} test set	2460 reflections (5.05%)	wwPDB-VP
Wilson B-factor (Å ²)	47.8	Xtrriage
Anisotropy	0.287	Xtrriage
Bulk solvent k_{sol} (e/Å ³), B_{sol} (Å ²)	0.31 , 43.3	EDS
L-test for twinning ²	$\langle L \rangle = 0.52$, $\langle L^2 \rangle = 0.35$	Xtrriage
Estimated twinning fraction	No twinning to report.	Xtrriage
F_o, F_c correlation	0.95	EDS
Total number of atoms	6892	wwPDB-VP
Average B, all atoms (Å ²)	58.0	wwPDB-VP

Xtrriage's analysis on translational NCS is as follows: *The largest off-origin peak in the Patterson function is 4.21% of the height of the origin peak. No significant pseudotranslation is detected.*

¹Intensities estimated from amplitudes.

²Theoretical values of $\langle |L| \rangle$, $\langle L^2 \rangle$ for acentric reflections are 0.5, 0.333 respectively for untwinned datasets, and 0.375, 0.2 for perfectly twinned datasets.

5 Model quality [i](#)

5.1 Standard geometry [i](#)

Bond lengths and bond angles in the following residue types are not validated in this section: CA, 2T9

The Z score for a bond length (or angle) is the number of standard deviations the observed value is removed from the expected value. A bond length (or angle) with $|Z| > 5$ is considered an outlier worth inspection. RMSZ is the root-mean-square of all Z scores of the bond lengths (or angles).

Mol	Chain	Bond lengths		Bond angles	
		RMSZ	# Z >5	RMSZ	# Z >5
1	A	0.44	0/3423	0.62	1/4678 (0.0%)
1	B	0.44	0/3324	0.58	0/4538
All	All	0.44	0/6747	0.60	1/9216 (0.0%)

There are no bond length outliers.

All (1) bond angle outliers are listed below:

Mol	Chain	Res	Type	Atoms	Z	Observed(°)	Ideal(°)
1	A	588	LEU	CA-CB-CG	12.58	144.23	115.30

There are no chirality outliers.

There are no planarity outliers.

5.2 Too-close contacts [i](#)

In the following table, the Non-H and H(model) columns list the number of non-hydrogen atoms and hydrogen atoms in the chain respectively. The H(added) column lists the number of hydrogen atoms added and optimized by MolProbity. The Clashes column lists the number of clashes within the asymmetric unit, whereas Symm-Clashes lists symmetry-related clashes.

Mol	Chain	Non-H	H(model)	H(added)	Clashes	Symm-Clashes
1	A	3344	0	3291	67	1
1	B	3245	0	3194	26	1
2	A	33	0	21	0	0
3	A	2	0	0	0	0
4	A	137	0	0	4	0
4	B	131	0	0	2	0
All	All	6892	0	6506	87	1

The all-atom clashscore is defined as the number of clashes found per 1000 atoms (including hydrogen atoms). The all-atom clashscore for this structure is 7.

All (87) close contacts within the same asymmetric unit are listed below, sorted by their clash magnitude.

Atom-1	Atom-2	Interatomic distance (Å)	Clash overlap (Å)
1:A:588:LEU:HD12	1:A:592:LEU:HD11	1.54	0.87
1:A:257:ARG:HG3	1:A:257:ARG:HH11	1.50	0.76
1:A:366:ILE:HG12	1:A:426:ILE:HB	1.74	0.69
1:A:421:ASP:OD1	1:A:422:PHE:N	2.27	0.68
1:A:357:GLU:H	1:A:357:GLU:CD	1.94	0.67
1:B:357:GLU:OE1	1:B:357:GLU:N	2.15	0.67
1:A:198:GLN:NE2	4:A:873:HOH:O	2.27	0.67
1:A:583:LYS:O	1:A:586:ILE:HG12	1.97	0.65
1:A:588:LEU:O	1:A:592:LEU:HD13	1.97	0.65
1:B:400:ILE:HD11	1:B:406:VAL:HB	1.79	0.64
1:A:482:PRO:HD2	1:B:485:MET:HE2	1.81	0.62
1:A:578:TRP:CZ2	1:A:588:LEU:HD13	2.35	0.62
1:A:358:VAL:HG11	1:A:474:ARG:NH2	2.14	0.62
1:A:616:THR:HG22	1:A:620:MET:HE2	1.81	0.62
1:A:589:LYS:HD2	1:A:589:LYS:H	1.64	0.61
1:A:257:ARG:HG3	1:A:257:ARG:NH1	2.15	0.61
1:A:588:LEU:HD12	1:A:592:LEU:CD1	2.26	0.61
1:A:592:LEU:O	1:A:594:GLY:N	2.34	0.60
1:A:481:ARG:HB3	1:B:485:MET:HE2	1.81	0.60
1:A:586:ILE:O	1:A:588:LEU:N	2.33	0.60
1:A:629:VAL:HG23	1:A:630:VAL:HG23	1.84	0.59
1:A:587:ARG:N	1:A:587:ARG:HD3	2.17	0.59
1:A:616:THR:HG22	1:A:620:MET:CE	2.34	0.58
1:B:305:THR:OG1	1:B:512:ARG:HD3	2.04	0.58
1:A:184:PHE:HA	1:A:199:VAL:O	2.04	0.57
1:A:427:ASP:OD2	1:A:473:TYR:OH	2.22	0.57
1:A:574:PRO:HG3	1:A:592:LEU:HA	1.86	0.57
1:A:414:LEU:HB3	1:A:464:ARG:HH12	1.69	0.56
1:B:187:ASN:HD21	1:B:191:PRO:HG3	1.69	0.56
1:A:355:PRO:HB2	1:A:357:GLU:OE1	2.08	0.54
1:A:588:LEU:CD1	1:A:592:LEU:HD11	2.32	0.54
1:A:589:LYS:HD2	1:A:589:LYS:N	2.23	0.54
1:A:482:PRO:HD2	1:B:485:MET:CE	2.39	0.52
1:A:359:ILE:HB	1:A:407:VAL:HG21	1.92	0.52
1:A:236:LEU:HD23	1:A:252:ILE:HG21	1.92	0.52
1:B:195:GLN:HA	1:B:316:ARG:NH1	2.25	0.52
1:A:212:THR:C	1:A:215:PRO:HD2	2.31	0.51

Continued on next page...

Continued from previous page...

Atom-1	Atom-2	Interatomic distance (Å)	Clash overlap (Å)
1:B:587:ARG:NH1	4:B:799:HOH:O	2.41	0.51
1:A:350:TYR:HB2	1:A:476:VAL:HG21	1.94	0.50
1:A:194:PRO:HG3	1:A:198:GLN:HG2	1.93	0.50
1:A:353:ALA:O	1:A:355:PRO:HD3	2.12	0.50
1:A:426:ILE:HG12	1:A:474:ARG:HB2	1.94	0.49
1:A:481:ARG:HB3	1:B:485:MET:CE	2.43	0.49
1:B:195:GLN:HA	1:B:316:ARG:HH12	1.78	0.49
1:A:578:TRP:CE2	1:A:588:LEU:HD13	2.49	0.48
1:B:627:LEU:O	1:B:628:GLU:HB2	2.14	0.47
1:A:333:HIS:ND1	1:A:336:ILE:HG13	2.29	0.47
1:B:194:PRO:O	1:B:316:ARG:NH1	2.47	0.47
1:A:371:LYS:HG3	1:A:392:TYR:CZ	2.49	0.47
1:A:538:GLY:HA3	1:A:618:TYR:CE2	2.51	0.46
1:A:397:VAL:HG23	1:A:400:ILE:HD12	1.98	0.45
1:B:229:ASN:O	1:B:269:THR:HA	2.17	0.45
1:B:394:GLY:O	1:B:395:LEU:HD23	2.16	0.45
1:A:391:TYR:HE2	1:A:413:ALA:O	1.99	0.45
1:A:440:LEU:HD23	1:A:440:LEU:HA	1.82	0.45
1:A:363:ARG:NH1	1:A:403:ASN:HA	2.33	0.44
1:B:371:LYS:HD2	1:B:392:TYR:CE1	2.52	0.44
1:B:193:VAL:HA	1:B:194:PRO:HD3	1.79	0.44
1:B:586:ILE:O	1:B:588:LEU:N	2.51	0.44
1:A:372:LYS:O	1:A:376:GLU:HG3	2.18	0.44
1:A:442:PRO:HB2	1:A:620:MET:HE2	2.00	0.43
1:A:212:THR:O	1:A:215:PRO:HD2	2.18	0.43
1:A:239:GLY:HA3	1:A:252:ILE:HD11	1.99	0.43
1:A:357:GLU:OE1	1:A:357:GLU:N	2.49	0.43
1:A:347:ILE:HA	1:A:348:PRO:HD3	1.90	0.43
1:A:211:SER:OG	1:A:290:ASP:OD2	2.32	0.43
1:B:391:TYR:HE2	1:B:396:ASP:H	1.65	0.43
1:A:525[A]:CYS:SG	1:A:526:GLN:N	2.91	0.43
1:A:450:THR:O	1:B:526:GLN:NE2	2.48	0.43
1:B:367:PHE:HA	1:B:410:SER:O	2.18	0.43
1:A:207:GLY:C	1:A:209:GLY:H	2.22	0.42
1:A:354:ILE:HD11	1:A:426:ILE:HG21	2.00	0.42
1:A:477:ALA:HA	1:A:478:PRO:HD3	1.88	0.42
1:A:596:THR:HA	1:A:597:PRO:HD3	1.87	0.42
1:B:587:ARG:H	1:B:587:ARG:HG3	1.63	0.42
1:A:401:PRO:HG2	1:A:406:VAL:HG21	2.00	0.42
1:A:570:ARG:NH2	4:A:806:HOH:O	2.35	0.42
1:A:363:ARG:CZ	1:A:403:ASN:HA	2.49	0.41

Continued on next page...

Continued from previous page...

Atom-1	Atom-2	Interatomic distance (Å)	Clash overlap (Å)
1:A:209:GLY:HA2	4:A:937:HOH:O	2.19	0.41
1:A:466:GLY:HA2	1:A:469:LYS:O	2.21	0.41
1:A:576:PRO:HD2	1:A:582:TRP:CE2	2.56	0.41
1:A:373:LYS:HE2	4:A:816:HOH:O	2.21	0.41
1:A:478:PRO:HG3	4:B:821:HOH:O	2.21	0.41
1:B:616:THR:O	1:B:620:MET:HG3	2.21	0.41
1:B:187:ASN:ND2	1:B:191:PRO:HG3	2.35	0.40
1:A:480:GLU:N	1:B:524[B]:VAL:HG21	2.36	0.40
1:B:607:ASN:OD1	1:B:608:GLU:N	2.54	0.40

All (1) symmetry-related close contacts are listed below. The label for Atom-2 includes the symmetry operator and encoded unit-cell translations to be applied.

Atom-1	Atom-2	Interatomic distance (Å)	Clash overlap (Å)
1:A:316:ARG:NH2	1:B:276:ASP:OD1[2_455]	2.09	0.11

5.3 Torsion angles [i](#)

5.3.1 Protein backbone [i](#)

In the following table, the Percentiles column shows the percent Ramachandran outliers of the chain as a percentile score with respect to all X-ray entries followed by that with respect to entries of similar resolution.

The Analysed column shows the number of residues for which the backbone conformation was analysed, and the total number of residues.

Mol	Chain	Analysed	Favoured	Allowed	Outliers	Percentiles	
1	A	439/464 (95%)	417 (95%)	16 (4%)	6 (1%)	11	7
1	B	426/464 (92%)	401 (94%)	20 (5%)	5 (1%)	13	9
All	All	865/928 (93%)	818 (95%)	36 (4%)	11 (1%)	12	8

All (11) Ramachandran outliers are listed below:

Mol	Chain	Res	Type
1	A	403	ASN
1	B	402	THR
1	B	628	GLU
1	A	208	SER

Continued on next page...

Continued from previous page...

Mol	Chain	Res	Type
1	B	587	ARG
1	B	209	GLY
1	B	396	ASP
1	A	356	LEU
1	A	401	PRO
1	A	587	ARG
1	A	590	PRO

5.3.2 Protein sidechains [i](#)

In the following table, the Percentiles column shows the percent sidechain outliers of the chain as a percentile score with respect to all X-ray entries followed by that with respect to entries of similar resolution.

The Analysed column shows the number of residues for which the sidechain conformation was analysed, and the total number of residues.

Mol	Chain	Analysed	Rotameric	Outliers	Percentiles	
1	A	367/382 (96%)	355 (97%)	12 (3%)	38	46
1	B	354/382 (93%)	353 (100%)	1 (0%)	92	95
All	All	721/764 (94%)	708 (98%)	13 (2%)	60	68

All (13) residues with a non-rotameric sidechain are listed below:

Mol	Chain	Res	Type
1	A	185	THR
1	A	298[A]	THR
1	A	298[B]	THR
1	A	343	THR
1	A	358	VAL
1	A	372	LYS
1	A	380	LYS
1	A	393	ARG
1	A	403	ASN
1	A	485	MET
1	A	600	TYR
1	A	629	VAL
1	B	316	ARG

Sometimes sidechains can be flipped to improve hydrogen bonding and reduce clashes. There are no such sidechains identified.

5.3.3 RNA [i](#)

There are no RNA molecules in this entry.

5.4 Non-standard residues in protein, DNA, RNA chains [i](#)

There are no non-standard protein/DNA/RNA residues in this entry.

5.5 Carbohydrates [i](#)

There are no monosaccharides in this entry.

5.6 Ligand geometry [i](#)

Of 3 ligands modelled in this entry, 2 are monoatomic - leaving 1 for Mogul analysis.

In the following table, the Counts columns list the number of bonds (or angles) for which Mogul statistics could be retrieved, the number of bonds (or angles) that are observed in the model and the number of bonds (or angles) that are defined in the Chemical Component Dictionary. The Link column lists molecule types, if any, to which the group is linked. The Z score for a bond length (or angle) is the number of standard deviations the observed value is removed from the expected value. A bond length (or angle) with $|Z| > 2$ is considered an outlier worth inspection. RMSZ is the root-mean-square of all Z scores of the bond lengths (or angles).

Mol	Type	Chain	Res	Link	Bond lengths			Bond angles		
					Counts	RMSZ	# Z > 2	Counts	RMSZ	# Z > 2
2	2T9	A	701	-	32,36,36	1.07	2 (6%)	43,52,52	1.19	5 (11%)

In the following table, the Chirals column lists the number of chiral outliers, the number of chiral centers analysed, the number of these observed in the model and the number defined in the Chemical Component Dictionary. Similar counts are reported in the Torsion and Rings columns. '-' means no outliers of that kind were identified.

Mol	Type	Chain	Res	Link	Chirals	Torsions	Rings
2	2T9	A	701	-	-	0/16/18/18	0/4/4/4

All (2) bond length outliers are listed below:

Mol	Chain	Res	Type	Atoms	Z	Observed(Å)	Ideal(Å)
2	A	701	2T9	O16-C14	3.78	1.34	1.22
2	A	701	2T9	O15-C14	-2.81	1.21	1.30

All (5) bond angle outliers are listed below:

Mol	Chain	Res	Type	Atoms	Z	Observed(°)	Ideal(°)
2	A	701	2T9	C9-N10-C11	3.22	129.35	124.80
2	A	701	2T9	O2-C3-C8	2.67	119.70	115.97
2	A	701	2T9	C20-C21-C22	-2.41	119.30	121.87
2	A	701	2T9	O2-C3-C4	-2.30	120.43	124.37
2	A	701	2T9	C5-C6-N31	2.17	121.01	119.38

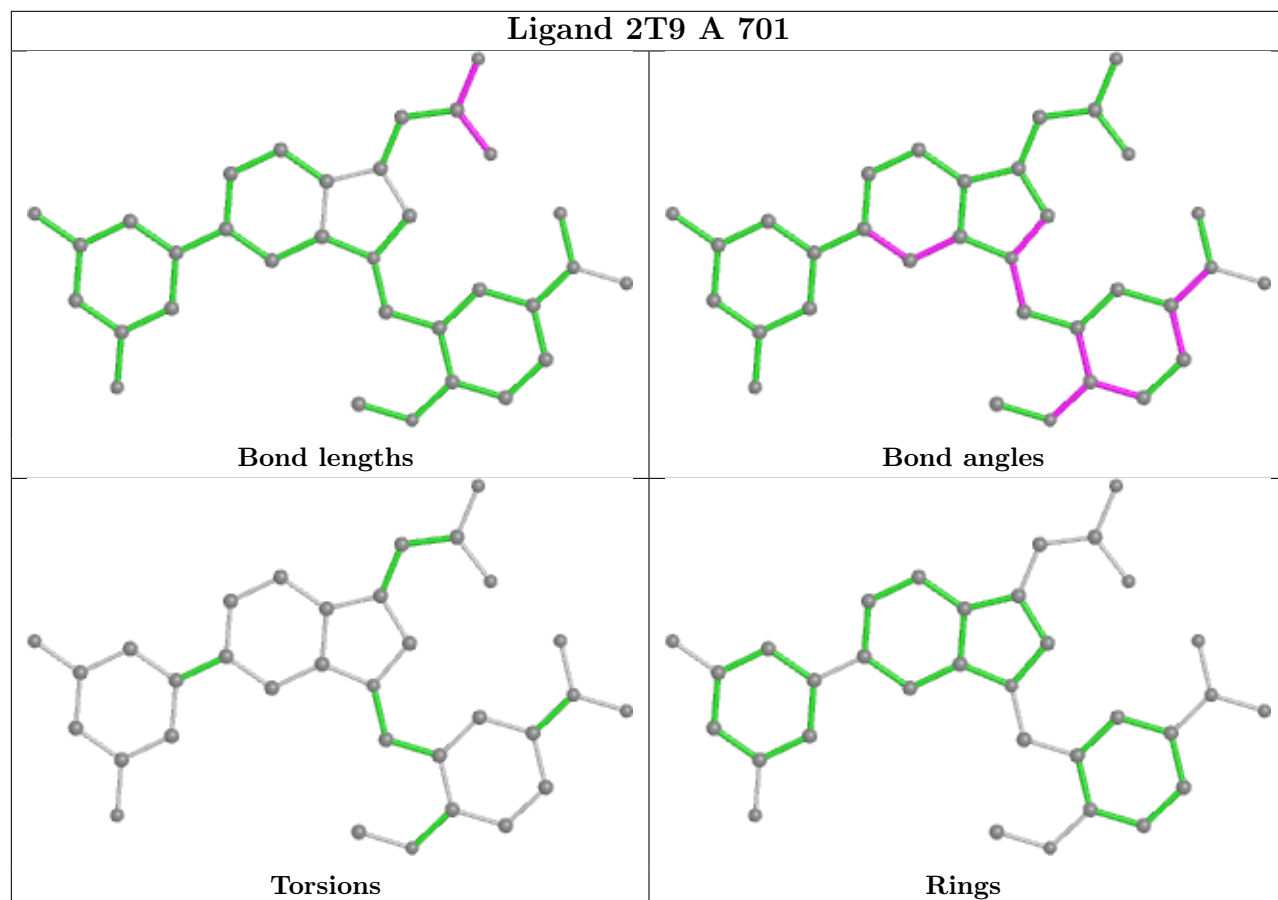
There are no chirality outliers.

There are no torsion outliers.

There are no ring outliers.

No monomer is involved in short contacts.

The following is a two-dimensional graphical depiction of Mogul quality analysis of bond lengths, bond angles, torsion angles, and ring geometry for all instances of the Ligand of Interest. In addition, ligands with molecular weight > 250 and outliers as shown on the validation Tables will also be included. For torsion angles, if less than 5% of the Mogul distribution of torsion angles is within 10 degrees of the torsion angle in question, then that torsion angle is considered an outlier. Any bond that is central to one or more torsion angles identified as an outlier by Mogul will be highlighted in the graph. For rings, the root-mean-square deviation (RMSD) between the ring in question and similar rings identified by Mogul is calculated over all ring torsion angles. If the average RMSD is greater than 60 degrees and the minimal RMSD between the ring in question and any Mogul-identified rings is also greater than 60 degrees, then that ring is considered an outlier. The outliers are highlighted in purple. The color gray indicates Mogul did not find sufficient equivalents in the CSD to analyse the geometry.



5.7 Other polymers [i](#)

There are no such residues in this entry.

5.8 Polymer linkage issues [i](#)

There are no chain breaks in this entry.

6 Fit of model and data

6.1 Protein, DNA and RNA chains

In the following table, the column labelled ‘#RSRZ > 2’ contains the number (and percentage) of RSRZ outliers, followed by percent RSRZ outliers for the chain as percentile scores relative to all X-ray entries and entries of similar resolution. The OWAB column contains the minimum, median, 95th percentile and maximum values of the occupancy-weighted average B-factor per residue. The column labelled ‘Q < 0.9’ lists the number of (and percentage) of residues with an average occupancy less than 0.9.

Mol	Chain	Analysed	<RSRZ>	#RSRZ>2	OWAB(Å ²)	Q<0.9
1	A	440/464 (94%)	0.76	54 (12%) 4 3	36, 53, 92, 107	0
1	B	420/464 (90%)	0.61	34 (8%) 12 13	34, 55, 89, 110	0
All	All	860/928 (92%)	0.69	88 (10%) 6 6	34, 54, 91, 110	0

All (88) RSRZ outliers are listed below:

Mol	Chain	Res	Type	RSRZ
1	A	356	LEU	8.2
1	B	591	THR	7.9
1	B	630	VAL	7.3
1	A	354	ILE	7.2
1	B	247	GLY	6.9
1	A	385	GLY	6.4
1	A	402	THR	6.3
1	A	399	VAL	6.2
1	A	378	ALA	6.0
1	A	383	ALA	6.0
1	A	206	THR	5.9
1	B	592	LEU	5.6
1	A	394	GLY	5.5
1	A	382	VAL	5.5
1	B	402	THR	5.0
1	B	415	MET	4.7
1	A	393	ARG	4.4
1	A	387	ASN	4.4
1	B	401	PRO	4.4
1	B	466	GLY	4.3
1	A	207	GLY	4.3
1	A	400	ILE	4.2
1	A	592	LEU	4.1
1	B	400	ILE	4.1

Continued on next page...

Continued from previous page...

Mol	Chain	Res	Type	RSRZ
1	B	403	ASN	4.0
1	A	406	VAL	4.0
1	B	212	THR	4.0
1	B	236	LEU	4.0
1	B	189	SER	3.9
1	B	246	HIS	3.9
1	A	353	ALA	3.8
1	A	379	ALA	3.8
1	A	421	ASP	3.8
1	B	396	ASP	3.8
1	A	593	HIS	3.7
1	A	375	ASP	3.7
1	B	187	ASN	3.7
1	A	401	PRO	3.7
1	A	468	GLY	3.6
1	A	344	THR	3.6
1	A	282	GLY	3.6
1	A	346	GLU	3.5
1	A	186	ASP	3.5
1	A	391	TYR	3.4
1	A	396	ASP	3.4
1	A	397	VAL	3.4
1	B	629	VAL	3.3
1	A	405	ASP	3.3
1	A	359	ILE	3.3
1	A	184	PHE	3.2
1	B	220	ALA	3.2
1	B	593[A]	HIS	3.2
1	B	264	PRO	3.1
1	B	588	LEU	3.1
1	A	404	GLY	3.0
1	B	263	SER	3.0
1	A	545	HIS	3.0
1	A	347	ILE	3.0
1	A	339	VAL	3.0
1	B	399	VAL	2.9
1	A	424	SER	2.9
1	A	423	ASP	2.8
1	A	357	GLU	2.8
1	A	343	THR	2.8
1	B	421	ASP	2.8
1	A	281	GLY	2.6

Continued on next page...

Continued from previous page...

Mol	Chain	Res	Type	RSRZ
1	A	386	ILE	2.6
1	A	333	HIS	2.5
1	A	337	GLU	2.5
1	B	545	HIS	2.5
1	A	591	THR	2.5
1	B	524[A]	VAL	2.5
1	A	355	PRO	2.4
1	A	398	SER	2.4
1	B	391	TYR	2.4
1	A	474	ARG	2.3
1	A	525[A]	CYS	2.3
1	B	405	ASP	2.3
1	B	203[A]	HIS	2.3
1	A	431[A]	CYS	2.2
1	A	490	VAL	2.2
1	A	363	ARG	2.2
1	B	628	GLU	2.2
1	B	222	GLY	2.2
1	B	205	PRO	2.2
1	B	188	SER	2.1
1	A	448	THR	2.1
1	B	213	LYS	2.0

6.2 Non-standard residues in protein, DNA, RNA chains [\(i\)](#)

There are no non-standard protein/DNA/RNA residues in this entry.

6.3 Carbohydrates [\(i\)](#)

There are no monosaccharides in this entry.

6.4 Ligands [\(i\)](#)

In the following table, the Atoms column lists the number of modelled atoms in the group and the number defined in the chemical component dictionary. The B-factors column lists the minimum, median, 95th percentile and maximum values of B factors of atoms in the group. The column labelled 'Q< 0.9' lists the number of atoms with occupancy less than 0.9.

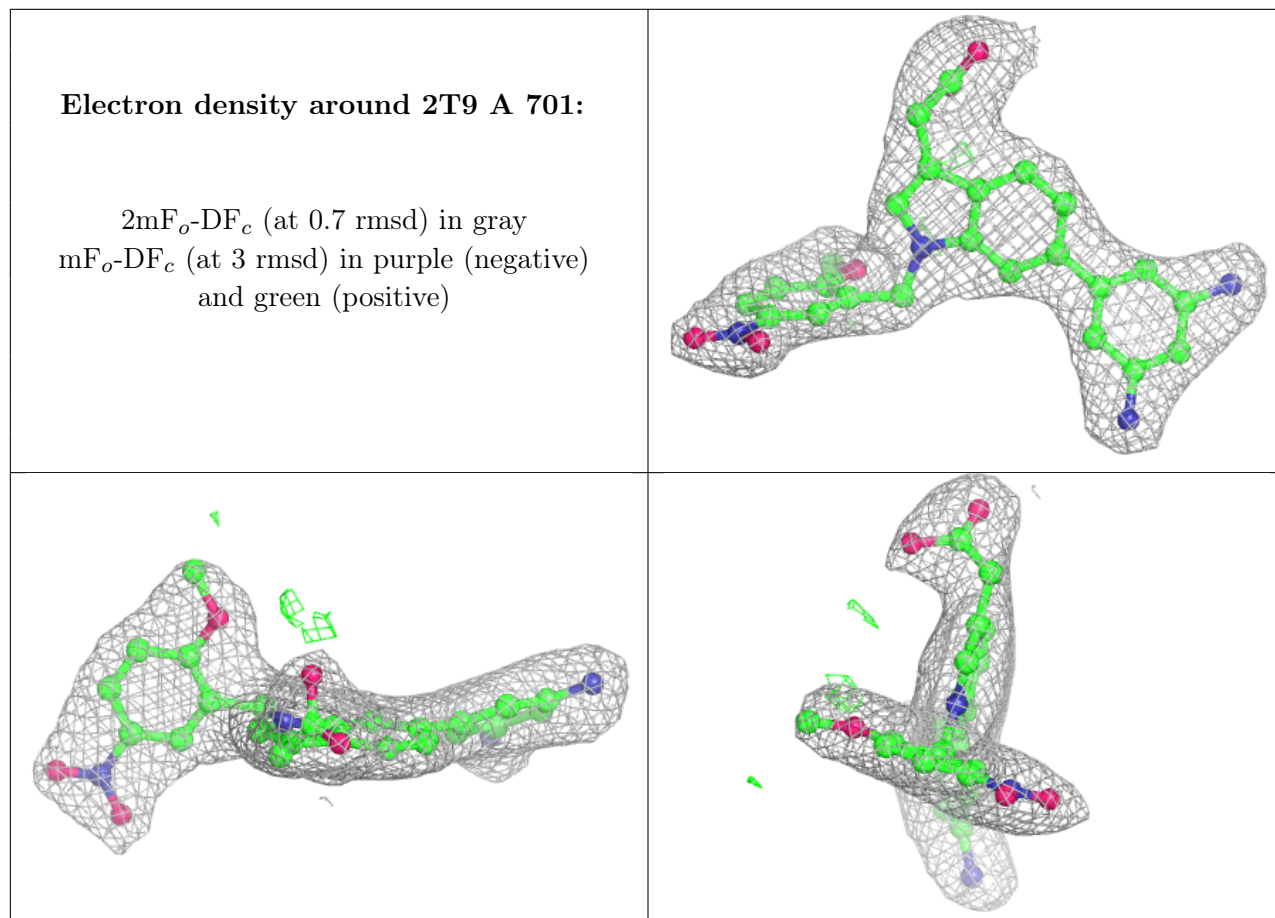
Mol	Type	Chain	Res	Atoms	RSCC	RSR	B-factors(Å ²)	Q<0.9
3	CA	A	702	1/1	0.92	0.16	84,84,84,84	0

Continued on next page...

Continued from previous page...

Mol	Type	Chain	Res	Atoms	RSCC	RSR	B-factors(\AA^2)	Q<0.9
3	CA	A	703	1/1	0.92	0.10	72,72,72,72	0
2	2T9	A	701	33/33	0.94	0.12	39,50,65,68	0

The following is a graphical depiction of the model fit to experimental electron density of all instances of the Ligand of Interest. In addition, ligands with molecular weight > 250 and outliers as shown on the geometry validation Tables will also be included. Each fit is shown from different orientation to approximate a three-dimensional view.



6.5 Other polymers [i](#)

There are no such residues in this entry.