



Full wwPDB X-ray Structure Validation Report ⓘ

Aug 21, 2020 – 12:17 AM BST

PDB ID : 3U7G
Title : Crystal structure of mPNKP catalytic fragment (D170A) bound to single-stranded DNA (TCCTAp)
Authors : Coquelle, N.; Havali, Z.; Bernstein, N.; Green, R.; Glover, J.N.M.
Deposited on : 2011-10-13
Resolution : 2.10 Å(reported)

This is a Full wwPDB X-ray Structure Validation Report for a publicly released PDB entry.

We welcome your comments at validation@mail.wwpdb.org

A user guide is available at

<https://www.wwpdb.org/validation/2017/XrayValidationReportHelp>

with specific help available everywhere you see the ⓘ symbol.

The following versions of software and data (see [references ⓘ](#)) were used in the production of this report:

MolProbity : 4.02b-467
Mogul : 1.8.5 (274361), CSD as541be (2020)
Xtriage (Phenix) : 1.13
EDS : 2.13.1
Percentile statistics : 20191225.v01 (using entries in the PDB archive December 25th 2019)
Refmac : 5.8.0158
CCP4 : 7.0.044 (Gargrove)
Ideal geometry (proteins) : Engh & Huber (2001)
Ideal geometry (DNA, RNA) : Parkinson et al. (1996)
Validation Pipeline (wwPDB-VP) : 2.13.1

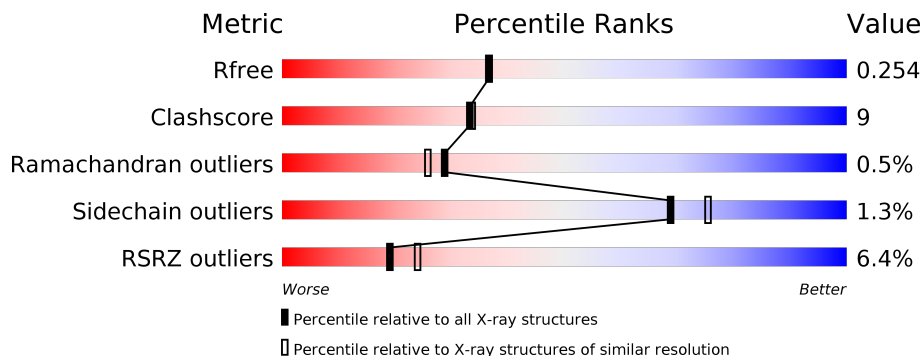
1 Overall quality at a glance i

The following experimental techniques were used to determine the structure:

X-RAY DIFFRACTION

The reported resolution of this entry is 2.10 Å.

Percentile scores (ranging between 0-100) for global validation metrics of the entry are shown in the following graphic. The table shows the number of entries on which the scores are based.



Metric	Whole archive (#Entries)	Similar resolution (#Entries, resolution range(Å))
R_{free}	130704	5197 (2.10-2.10)
Clashscore	141614	5710 (2.10-2.10)
Ramachandran outliers	138981	5647 (2.10-2.10)
Sidechain outliers	138945	5648 (2.10-2.10)
RSRZ outliers	127900	5083 (2.10-2.10)

The table below summarises the geometric issues observed across the polymeric chains and their fit to the electron density. The red, orange, yellow and green segments on the lower bar indicate the fraction of residues that contain outliers for ≥ 3 , 2, 1 and 0 types of geometric quality criteria respectively. A grey segment represents the fraction of residues that are not modelled. The numeric value for each fraction is indicated below the corresponding segment, with a dot representing fractions $\leq 5\%$. The upper red bar (where present) indicates the fraction of residues that have poor fit to the electron density. The numeric value is given above the bar.

Mol	Chain	Length	Quality of chain
1	A	379	 6% 81% 18% ..
2	X	5	 20% 20% 60%

2 Entry composition [i](#)

There are 6 unique types of molecules in this entry. The entry contains 6141 atoms, of which 2946 are hydrogens and 0 are deuteriums.

In the tables below, the ZeroOcc column contains the number of atoms modelled with zero occupancy, the AltConf column contains the number of residues with at least one atom in alternate conformation and the Trace column contains the number of residues modelled with at most 2 atoms.

- Molecule 1 is a protein called Bifunctional polynucleotide phosphatase/kinase.

Mol	Chain	Residues	Atoms							ZeroOcc	AltConf	Trace
			Total	C	H	N	O	S	Se			
1	A	377	5847	1878	2922	508	527	7	5	0	0	0

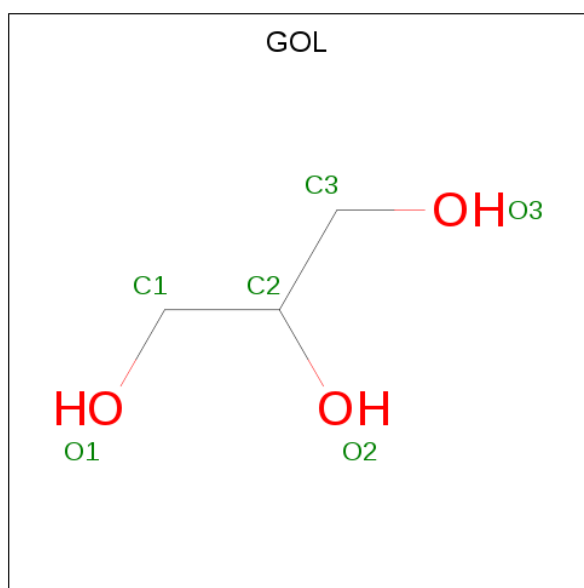
There is a discrepancy between the modelled and reference sequences:

Chain	Residue	Modelled	Actual	Comment	Reference
A	170	ALA	ASP	ENGINEERED MUTATION	UNP Q9JLV6

- Molecule 2 is a DNA chain called DNA.

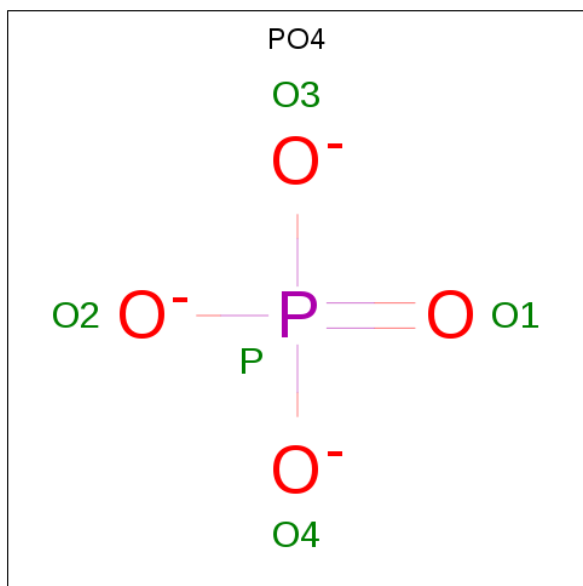
Mol	Chain	Residues	Atoms					ZeroOcc	AltConf	Trace
			Total	C	N	O	P			
2	X	2	41	20	7	12	2	0	0	0

- Molecule 3 is GLYCEROL (three-letter code: GOL) (formula: C₃H₈O₃).



Mol	Chain	Residues	Atoms				ZeroOcc	AltConf
3	A	1	Total	C	H	O	0	0
			14	3	8	3		
3	A	1	Total	C	H	O	0	0
			14	3	8	3		
3	A	1	Total	C	H	O	0	0
			14	3	8	3		

- Molecule 4 is PHOSPHATE ION (three-letter code: PO4) (formula: O₄P).



Mol	Chain	Residues	Atoms			ZeroOcc	AltConf
4	A	1	Total	O	P	0	0
			5	4	1		
4	X	1	Total	O	P	0	0
			4	3	1		

- Molecule 5 is MAGNESIUM ION (three-letter code: MG) (formula: Mg).

Mol	Chain	Residues	Atoms		ZeroOcc	AltConf
5	A	1	Total	Mg	0	0
			1	1		

- Molecule 6 is water.

Mol	Chain	Residues	Atoms		ZeroOcc	AltConf
6	A	196	Total	O	0	0
			196	196		

Continued on next page...

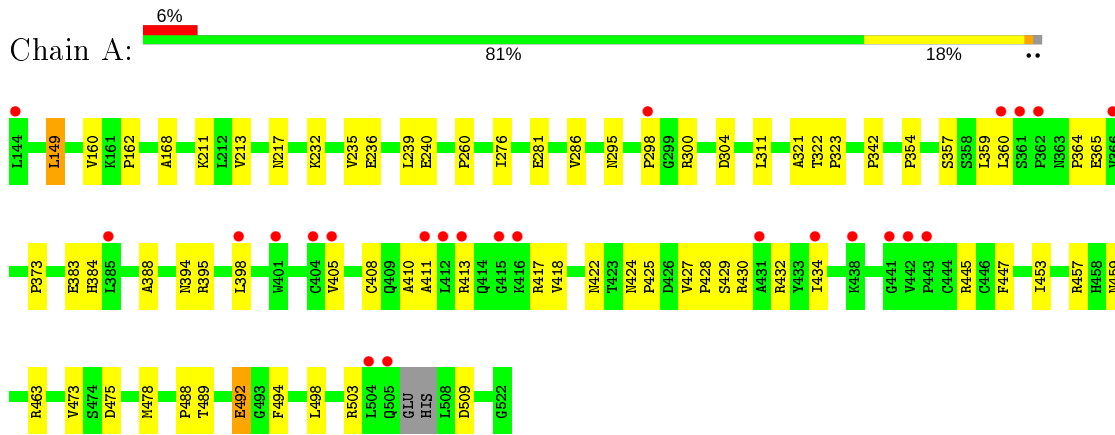
Continued from previous page...

Mol	Chain	Residues	Atoms		ZeroOcc	AltConf
6	X	5	Total	O	0	0
			5	5		

3 Residue-property plots [i](#)

These plots are drawn for all protein, RNA, DNA and oligosaccharide chains in the entry. The first graphic for a chain summarises the proportions of the various outlier classes displayed in the second graphic. The second graphic shows the sequence view annotated by issues in geometry and electron density. Residues are color-coded according to the number of geometric quality criteria for which they contain at least one outlier: green = 0, yellow = 1, orange = 2 and red = 3 or more. A red dot above a residue indicates a poor fit to the electron density ($RSRZ > 2$). Stretches of 2 or more consecutive residues without any outlier are shown as a green connector. Residues present in the sample, but not in the model, are shown in grey.

- Molecule 1: Bifunctional polynucleotide phosphatase/kinase



- Molecule 2: DNA



4 Data and refinement statistics

Property	Value	Source
Space group	C 1 2 1	Depositor
Cell constants a, b, c, α , β , γ	77.16Å 43.03Å 127.27Å 90.00° 107.12° 90.00°	Depositor
Resolution (Å)	40.54 – 2.10 40.54 – 2.10	Depositor EDS
% Data completeness (in resolution range)	90.8 (40.54-2.10) 90.8 (40.54-2.10)	Depositor EDS
R_{merge}	0.09	Depositor
R_{sym}	(Not available)	Depositor
$\langle I/\sigma(I) \rangle$ ¹	2.57 (at 2.10Å)	Xtrriage
Refinement program	PHENIX 1.7.2_869	Depositor
R, R_{free}	0.207 , 0.260 0.205 , 0.254	Depositor DCC
R_{free} test set	1083 reflections (5.04%)	wwPDB-VP
Wilson B-factor (Å ²)	21.6	Xtrriage
Anisotropy	0.668	Xtrriage
Bulk solvent k_{sol} (e/Å ³), B_{sol} (Å ²)	0.41 , 49.5	EDS
L-test for twinning ²	$\langle L \rangle = 0.48$, $\langle L^2 \rangle = 0.31$	Xtrriage
Estimated twinning fraction	0.033 for h,-k,-h-l	Xtrriage
F_o, F_c correlation	0.93	EDS
Total number of atoms	6141	wwPDB-VP
Average B, all atoms (Å ²)	34.0	wwPDB-VP

Xtrriage's analysis on translational NCS is as follows: *The largest off-origin peak in the Patterson function is 6.10% of the height of the origin peak. No significant pseudotranslation is detected.*

¹Intensities estimated from amplitudes.

²Theoretical values of $\langle |L| \rangle$, $\langle L^2 \rangle$ for acentric reflections are 0.5, 0.333 respectively for untwinned datasets, and 0.375, 0.2 for perfectly twinned datasets.

5 Model quality

5.1 Standard geometry

Bond lengths and bond angles in the following residue types are not validated in this section: GOL, PO4, MG

The Z score for a bond length (or angle) is the number of standard deviations the observed value is removed from the expected value. A bond length (or angle) with $|Z| > 5$ is considered an outlier worth inspection. RMSZ is the root-mean-square of all Z scores of the bond lengths (or angles).

Mol	Chain	Bond lengths		Bond angles	
		RMSZ	# Z >5	RMSZ	# Z >5
1	A	0.39	0/2996	0.53	0/4057
2	X	1.09	0/45	1.25	0/67
All	All	0.41	0/3041	0.55	0/4124

There are no bond length outliers.

There are no bond angle outliers.

There are no chirality outliers.

There are no planarity outliers.

5.2 Too-close contacts

In the following table, the Non-H and H(model) columns list the number of non-hydrogen atoms and hydrogen atoms in the chain respectively. The H(added) column lists the number of hydrogen atoms added and optimized by MolProbity. The Clashes column lists the number of clashes within the asymmetric unit, whereas Symm-Clashes lists symmetry related clashes.

Mol	Chain	Non-H	H(model)	H(added)	Clashes	Symm-Clashes
1	A	2925	2922	2918	51	0
2	X	41	0	23	1	0
3	A	18	24	24	3	0
4	A	5	0	0	0	0
4	X	4	0	0	0	0
5	A	1	0	0	0	0
6	A	196	0	0	12	0
6	X	5	0	0	0	0
All	All	3195	2946	2965	51	0

The all-atom clashscore is defined as the number of clashes found per 1000 atoms (including hydrogen atoms). The all-atom clashscore for this structure is 9.

All (51) close contacts within the same asymmetric unit are listed below, sorted by their clash magnitude.

Atom-1	Atom-2	Interatomic distance (Å)	Clash overlap (Å)
1:A:492:GLU:OE2	6:A:89:HOH:O	1.90	0.90
1:A:422:ASN:ND2	6:A:101:HOH:O	2.05	0.89
1:A:354:PRO:O	6:A:80:HOH:O	2.01	0.78
1:A:492:GLU:O	6:A:103:HOH:O	2.10	0.70
1:A:304:ASP:O	6:A:73:HOH:O	2.14	0.64
1:A:430:ARG:NE	6:A:89:HOH:O	2.33	0.62
1:A:357:SER:OG	6:A:93:HOH:O	2.08	0.62
1:A:447:PHE:CE1	1:A:498:LEU:HD12	2.37	0.60
1:A:427:VAL:HA	6:A:89:HOH:O	2.04	0.57
1:A:162:PRO:HB2	1:A:276:ILE:HD12	1.86	0.57
1:A:410:ALA:O	1:A:413:ARG:HG2	2.04	0.57
1:A:408:CYS:HA	1:A:418:VAL:HG21	1.87	0.56
1:A:281:GLU:HG2	6:A:539:HOH:O	2.06	0.56
1:A:235:VAL:O	1:A:239:LEU:HG	2.06	0.56
1:A:359:LEU:HG	1:A:360:LEU:HD12	1.90	0.52
1:A:360:LEU:HD21	1:A:388:ALA:CB	2.40	0.52
1:A:149:LEU:N	1:A:149:LEU:CD1	2.73	0.51
1:A:286:VAL:HA	1:A:321:ALA:O	2.10	0.51
1:A:236:GLU:O	1:A:240:GLU:HG2	2.11	0.50
1:A:394:ASN:OD1	1:A:395:ARG:N	2.44	0.50
1:A:359:LEU:HD21	1:A:384:HIS:HB3	1.94	0.50
1:A:364:PRO:HA	1:A:417:ARG:HG2	1.94	0.50
1:A:418:VAL:HB	6:A:82:HOH:O	2.11	0.50
1:A:360:LEU:HD21	1:A:388:ALA:HB3	1.95	0.49
1:A:503:ARG:HD3	6:A:68:HOH:O	2.13	0.48
1:A:430:ARG:HB2	6:A:89:HOH:O	2.13	0.48
1:A:295:ASN:HA	1:A:300:ARG:O	2.15	0.47
1:A:489:THR:O	1:A:492:GLU:HG2	2.15	0.47
1:A:211:LYS:HA	3:A:526:GOL:H31	1.96	0.47
1:A:434:ILE:HD11	1:A:494:PHE:CZ	2.50	0.47
1:A:160:VAL:HA	3:A:526:GOL:O3	2.14	0.47
1:A:322:THR:HB	1:A:323:PRO:HD2	1.96	0.46
1:A:373:PRO:HB2	1:A:473:VAL:HG11	1.98	0.46
1:A:232:LYS:O	1:A:236:GLU:HG3	2.16	0.45
1:A:489:THR:O	1:A:492:GLU:CG	2.65	0.45
1:A:424:ASN:N	1:A:425:PRO:HD3	2.32	0.45
1:A:459:ASN:O	1:A:463:ARG:HG3	2.16	0.45
1:A:168:ALA:HA	1:A:213:VAL:O	2.18	0.44
1:A:488:PRO:HA	1:A:492:GLU:OE1	2.17	0.44
1:A:475:ASP:O	1:A:478:MSE:N	2.51	0.44

Continued on next page...

Continued from previous page...

Atom-1	Atom-2	Interatomic distance (Å)	Clash overlap (Å)
1:A:453:ILE:O	1:A:457:ARG:HG3	2.18	0.43
1:A:427:VAL:N	1:A:428:PRO:CD	2.82	0.43
1:A:405:VAL:HG21	1:A:432:ARG:HD2	2.01	0.43
1:A:260:PRO:HB3	1:A:311:LEU:HB2	2.01	0.42
1:A:411:ALA:HB3	1:A:418:VAL:CG2	2.49	0.42
1:A:217:ASN:O	2:X:402:DA:H5''	2.19	0.42
1:A:429:SER:O	1:A:432:ARG:HB3	2.19	0.42
1:A:342:PRO:HG3	3:A:1:GOL:H11	2.02	0.42
1:A:365:GLU:OE2	1:A:445:ARG:NH2	2.51	0.41
1:A:149:LEU:HD12	1:A:149:LEU:N	2.35	0.41
1:A:359:LEU:HG	1:A:360:LEU:CD1	2.51	0.40

There are no symmetry-related clashes.

5.3 Torsion angles [i](#)

5.3.1 Protein backbone [i](#)

In the following table, the Percentiles column shows the percent Ramachandran outliers of the chain as a percentile score with respect to all X-ray entries followed by that with respect to entries of similar resolution.

The Analysed column shows the number of residues for which the backbone conformation was analysed, and the total number of residues.

Mol	Chain	Analysed	Favoured	Allowed	Outliers	Percentiles
1	A	373/379 (98%)	360 (96%)	11 (3%)	2 (0%)	29 26

All (2) Ramachandran outliers are listed below:

Mol	Chain	Res	Type
1	A	398	LEU
1	A	298	PRO

5.3.2 Protein sidechains [i](#)

In the following table, the Percentiles column shows the percent sidechain outliers of the chain as a percentile score with respect to all X-ray entries followed by that with respect to entries of similar resolution.

The Analysed column shows the number of residues for which the sidechain conformation was

analysed, and the total number of residues.

Mol	Chain	Analysed	Rotameric	Outliers	Percentiles
1	A	311/311 (100%)	307 (99%)	4 (1%)	69 75

All (4) residues with a non-rotameric sidechain are listed below:

Mol	Chain	Res	Type
1	A	149	LEU
1	A	383	GLU
1	A	492	GLU
1	A	509	ASP

Some sidechains can be flipped to improve hydrogen bonding and reduce clashes. All (1) such sidechains are listed below:

Mol	Chain	Res	Type
1	A	422	ASN

5.3.3 RNA [i](#)

There are no RNA molecules in this entry.

5.4 Non-standard residues in protein, DNA, RNA chains [i](#)

There are no non-standard protein/DNA/RNA residues in this entry.

5.5 Carbohydrates [i](#)

There are no monosaccharides in this entry.

5.6 Ligand geometry [i](#)

Of 6 ligands modelled in this entry, 1 is monoatomic - leaving 5 for Mogul analysis.

In the following table, the Counts columns list the number of bonds (or angles) for which Mogul statistics could be retrieved, the number of bonds (or angles) that are observed in the model and the number of bonds (or angles) that are defined in the Chemical Component Dictionary. The Link column lists molecule types, if any, to which the group is linked. The Z score for a bond length (or angle) is the number of standard deviations the observed value is removed from the expected value. A bond length (or angle) with $|Z| > 2$ is considered an outlier worth inspection. RMSZ is the root-mean-square of all Z scores of the bond lengths (or angles).

Mol	Type	Chain	Res	Link	Bond lengths			Bond angles		
					Counts	RMSZ	# Z > 2	Counts	RMSZ	# Z > 2
4	PO4	A	528	-	4,4,4	1.01	0	6,6,6	0.51	0
3	GOL	A	526	-	5,5,5	0.35	0	5,5,5	0.41	0
4	PO4	X	523	2,5	0,3,4	0.00	-	0,3,6	0.00	-
3	GOL	A	1	-	5,5,5	0.50	0	5,5,5	0.43	0
3	GOL	A	527	-	5,5,5	0.29	0	5,5,5	0.37	0

In the following table, the Chirals column lists the number of chiral outliers, the number of chiral centers analysed, the number of these observed in the model and the number defined in the Chemical Component Dictionary. Similar counts are reported in the Torsion and Rings columns. '-' means no outliers of that kind were identified.

Mol	Type	Chain	Res	Link	Chirals	Torsions	Rings
3	GOL	A	526	-	-	2/4/4/4	-
3	GOL	A	1	-	-	3/4/4/4	-
3	GOL	A	527	-	-	2/4/4/4	-

There are no bond length outliers.

There are no bond angle outliers.

There are no chirality outliers.

All (7) torsion outliers are listed below:

Mol	Chain	Res	Type	Atoms
3	A	527	GOL	O1-C1-C2-O2
3	A	527	GOL	O1-C1-C2-C3
3	A	526	GOL	C1-C2-C3-O3
3	A	1	GOL	C1-C2-C3-O3
3	A	526	GOL	O2-C2-C3-O3
3	A	1	GOL	O2-C2-C3-O3
3	A	1	GOL	O1-C1-C2-C3

There are no ring outliers.

2 monomers are involved in 3 short contacts:

Mol	Chain	Res	Type	Clashes	Symm-Clashes
3	A	526	GOL	2	0
3	A	1	GOL	1	0

5.7 Other polymers [i](#)

There are no such residues in this entry.

5.8 Polymer linkage issues [i](#)

There are no chain breaks in this entry.

6 Fit of model and data

6.1 Protein, DNA and RNA chains

In the following table, the column labelled ‘#RSRZ> 2’ contains the number (and percentage) of RSRZ outliers, followed by percent RSRZ outliers for the chain as percentile scores relative to all X-ray entries and entries of similar resolution. The OWAB column contains the minimum, median, 95th percentile and maximum values of the occupancy-weighted average B-factor per residue. The column labelled ‘Q< 0.9’ lists the number of (and percentage) of residues with an average occupancy less than 0.9.

Mol	Chain	Analysed	<RSRZ>	#RSRZ>2	OWAB(Å ²)	Q<0.9
1	A	372/379 (98%)	0.34	24 (6%) 18 23	8, 26, 63, 101	0
2	X	2/5 (40%)	-0.13	0 100 100	20, 20, 20, 42	0
All	All	374/384 (97%)	0.34	24 (6%) 19 24	8, 26, 63, 101	0

All (24) RSRZ outliers are listed below:

Mol	Chain	Res	Type	RSRZ
1	A	401	TRP	5.3
1	A	434	ILE	4.6
1	A	412	LEU	4.4
1	A	415	GLY	3.9
1	A	413	ARG	3.8
1	A	144	LEU	3.7
1	A	442	VAL	3.4
1	A	405	VAL	3.3
1	A	431	ALA	3.2
1	A	360	LEU	3.0
1	A	411	ALA	2.9
1	A	443	PRO	2.9
1	A	416	LYS	2.8
1	A	298	PRO	2.7
1	A	441	GLY	2.7
1	A	505	GLN	2.4
1	A	404	CYS	2.4
1	A	362	PRO	2.3
1	A	366	VAL	2.3
1	A	361	SER	2.3
1	A	398	LEU	2.0
1	A	385	LEU	2.0
1	A	504	LEU	2.0
1	A	438	LYS	2.0

6.2 Non-standard residues in protein, DNA, RNA chains [i](#)

There are no non-standard protein/DNA/RNA residues in this entry.

6.3 Carbohydrates [i](#)

There are no monosaccharides in this entry.

6.4 Ligands [i](#)

In the following table, the Atoms column lists the number of modelled atoms in the group and the number defined in the chemical component dictionary. The B-factors column lists the minimum, median, 95th percentile and maximum values of B factors of atoms in the group. The column labelled 'Q< 0.9' lists the number of atoms with occupancy less than 0.9.

Mol	Type	Chain	Res	Atoms	RSCC	RSR	B-factors(Å ²)	Q<0.9
3	GOL	A	527	6/6	0.82	0.18	38,47,55,56	0
3	GOL	A	526	6/6	0.87	0.19	47,57,59,60	0
3	GOL	A	1	6/6	0.93	0.24	21,27,32,36	0
4	PO4	A	528	5/5	0.98	0.10	22,24,27,31	0
5	MG	A	529	1/1	0.99	0.26	30,30,30,30	1
4	PO4	X	523	4/5	0.99	0.10	12,14,14,15	0

6.5 Other polymers [i](#)

There are no such residues in this entry.