



Full wwPDB X-ray Structure Validation Report ⓘ

May 17, 2020 – 08:58 pm BST

PDB ID : 4CXK
Title : G9 mutant of PAS, arylsulfatase from *Pseudomonas Aeruginosa*
Authors : Miton, C.M.; Jonas, S.; Mohammed, M.F.; Fischer, G.; Loo, B.v.; Kintses, B.;
Hyvonen, M.; Tokuriki, N.; Hollfelder, F.
Deposited on : 2014-04-07
Resolution : 1.86 Å(reported)

This is a Full wwPDB X-ray Structure Validation Report for a publicly released PDB entry.

We welcome your comments at validation@mail.wwpdb.org

A user guide is available at

<https://www.wwpdb.org/validation/2017/XrayValidationReportHelp>

with specific help available everywhere you see the ⓘ symbol.

The following versions of software and data (see [references ⓘ](#)) were used in the production of this report:

MolProbity : 4.02b-467
Mogul : 1.8.5 (274361), CSD as541be (2020)
Xtriage (Phenix) : 1.13
EDS : 2.11
Percentile statistics : 20191225.v01 (using entries in the PDB archive December 25th 2019)
Refmac : 5.8.0158
CCP4 : 7.0.044 (Gargrove)
Ideal geometry (proteins) : Engh & Huber (2001)
Ideal geometry (DNA, RNA) : Parkinson et al. (1996)
Validation Pipeline (wwPDB-VP) : 2.11

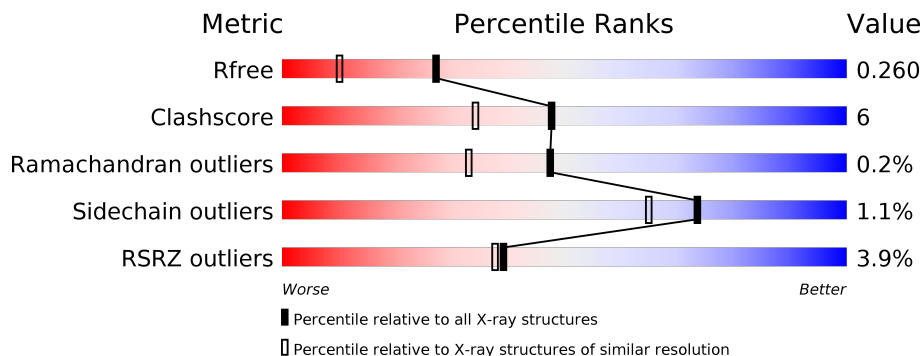
1 Overall quality at a glance

The following experimental techniques were used to determine the structure:

X-RAY DIFFRACTION

The reported resolution of this entry is 1.86 Å.

Percentile scores (ranging between 0-100) for global validation metrics of the entry are shown in the following graphic. The table shows the number of entries on which the scores are based.



Metric	Whole archive (#Entries)	Similar resolution (#Entries, resolution range(Å))
R_{free}	130704	2469 (1.86-1.86)
Clashscore	141614	2625 (1.86-1.86)
Ramachandran outliers	138981	2592 (1.86-1.86)
Sidechain outliers	138945	2592 (1.86-1.86)
RSRZ outliers	127900	2436 (1.86-1.86)

The table below summarises the geometric issues observed across the polymeric chains and their fit to the electron density. The red, orange, yellow and green segments on the lower bar indicate the fraction of residues that contain outliers for ≥ 3 , 2, 1 and 0 types of geometric quality criteria respectively. A grey segment represents the fraction of residues that are not modelled. The numeric value for each fraction is indicated below the corresponding segment, with a dot representing fractions $\leq 5\%$. The upper red bar (where present) indicates the fraction of residues that have poor fit to the electron density. The numeric value is given above the bar.

Mol	Chain	Length	Quality of chain
1	A	536	
1	B	536	

The following table lists non-polymeric compounds, carbohydrate monomers and non-standard residues in protein, DNA, RNA chains that are outliers for geometric or electron-density-fit criteria:

Mol	Type	Chain	Res	Chirality	Geometry	Clashes	Electron density
3	SO4	A	1529	-	-	X	-
4	PEG	B	1529	-	-	X	-

2 Entry composition [i](#)

There are 5 unique types of molecules in this entry. The entry contains 9280 atoms, of which 0 are hydrogens and 0 are deuteriums.

In the tables below, the ZeroOcc column contains the number of atoms modelled with zero occupancy, the AltConf column contains the number of residues with at least one atom in alternate conformation and the Trace column contains the number of residues modelled with at most 2 atoms.

- Molecule 1 is a protein called ARYLSULFATASE.

Mol	Chain	Residues	Atoms					ZeroOcc	AltConf	Trace
			Total	C	N	O	S			
1	A	525	4147	2639	730	770	8	0	1	0
1	B	525	4134	2631	726	769	8	0	2	0

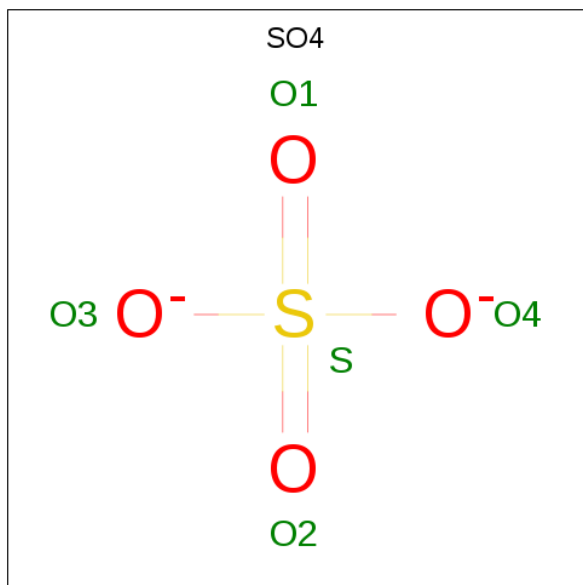
There are 20 discrepancies between the modelled and reference sequences:

Chain	Residue	Modelled	Actual	Comment	Reference
A	535	GLU	-	expression tag	UNP P51691
A	536	ARG	-	expression tag	UNP P51691
A	48	THR	ALA	engineered mutation	UNP P51691
A	50	ALA	THR	engineered mutation	UNP P51691
A	69	LEU	ILE	engineered mutation	UNP P51691
A	72	VAL	MET	engineered mutation	UNP P51691
A	337	ASP	GLY	engineered mutation	UNP P51691
A	352	SER	ARG	engineered mutation	UNP P51691
A	461	GLY	GLU	engineered mutation	UNP P51691
A	523	ASP	GLU	engineered mutation	UNP P51691
B	535	GLU	-	expression tag	UNP P51691
B	536	ARG	-	expression tag	UNP P51691
B	48	THR	ALA	engineered mutation	UNP P51691
B	50	ALA	THR	engineered mutation	UNP P51691
B	69	LEU	ILE	engineered mutation	UNP P51691
B	72	VAL	MET	engineered mutation	UNP P51691
B	337	ASP	GLY	engineered mutation	UNP P51691
B	352	SER	ARG	engineered mutation	UNP P51691
B	461	GLY	GLU	engineered mutation	UNP P51691
B	523	ASP	GLU	engineered mutation	UNP P51691

- Molecule 2 is CALCIUM ION (three-letter code: CA) (formula: Ca).

Mol	Chain	Residues	Atoms	ZeroOcc	AltConf
2	B	1	Total Ca 1 1	0	0
2	A	1	Total Ca 1 1	0	0

- Molecule 3 is SULFATE ION (three-letter code: SO4) (formula: O₄S).



Mol	Chain	Residues	Atoms	ZeroOcc	AltConf
3	A	1	Total O S 5 4 1	0	0
3	B	1	Total O S 5 4 1	0	0

- Molecule 4 is DI(HYDROXYETHYL)ETHER (three-letter code: PEG) (formula: C₄H₁₀O₃).



Mol	Chain	Residues	Atoms	ZeroOcc	AltConf
4	A	1	Total C O 7 4 3	0	0
4	B	1	Total C O 7 4 3	0	0

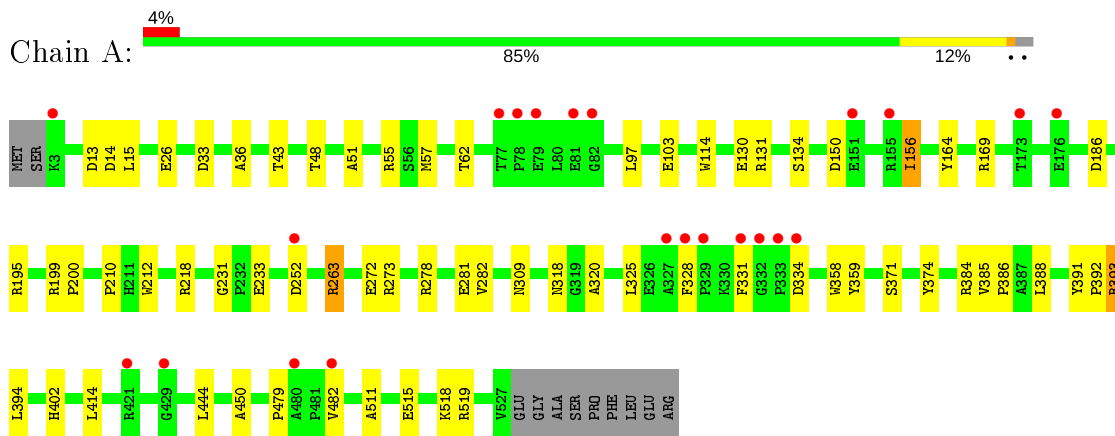
- Molecule 5 is water.

Mol	Chain	Residues	Atoms	ZeroOcc	AltConf
5	A	502	Total O 502 502	0	0
5	B	471	Total O 471 471	0	0

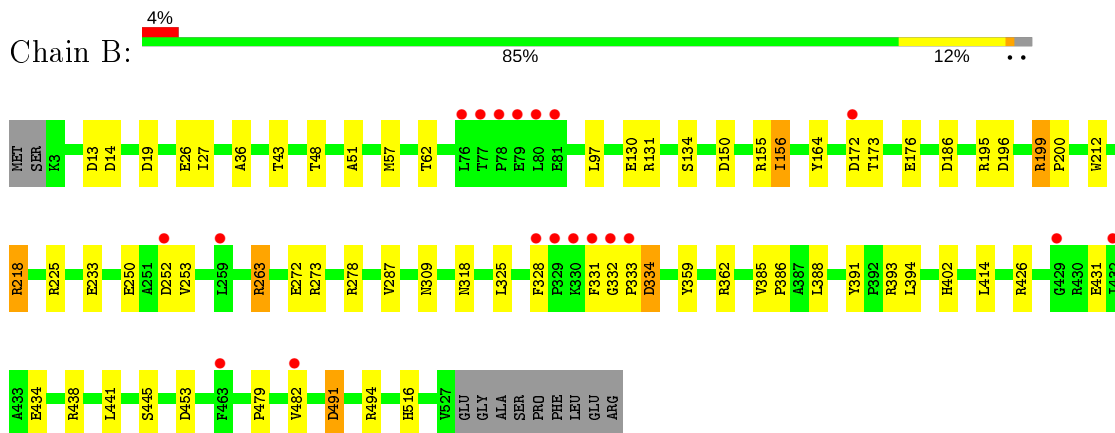
3 Residue-property plots [i](#)

These plots are drawn for all protein, RNA and DNA chains in the entry. The first graphic for a chain summarises the proportions of the various outlier classes displayed in the second graphic. The second graphic shows the sequence view annotated by issues in geometry and electron density. Residues are color-coded according to the number of geometric quality criteria for which they contain at least one outlier: green = 0, yellow = 1, orange = 2 and red = 3 or more. A red dot above a residue indicates a poor fit to the electron density ($RSRZ > 2$). Stretches of 2 or more consecutive residues without any outlier are shown as a green connector. Residues present in the sample, but not in the model, are shown in grey.

- Molecule 1: ARYLSULFATASE



- Molecule 1: ARYLSULFATASE



4 Data and refinement statistics

Property	Value	Source
Space group	C 1 2 1	Depositor
Cell constants a, b, c, α , β , γ	188.30Å 67.06Å 90.05Å 90.00° 94.04° 90.00°	Depositor
Resolution (Å)	93.92 – 1.86 67.33 – 1.86	Depositor EDS
% Data completeness (in resolution range)	98.2 (93.92-1.86) 98.2 (67.33-1.86)	Depositor EDS
R_{merge}	0.16	Depositor
R_{sym}	(Not available)	Depositor
$\langle I/\sigma(I) \rangle$ ¹	2.28 (at 1.86Å)	Xtrriage
Refinement program	REFMAC 5.8.0069	Depositor
R, R_{free}	0.208 , 0.254 0.215 , 0.260	Depositor DCC
R_{free} test set	4617 reflections (5.01%)	wwPDB-VP
Wilson B-factor (Å ²)	12.6	Xtrriage
Anisotropy	0.069	Xtrriage
Bulk solvent k_{sol} (e/Å ³), B_{sol} (Å ²)	0.34 , 52.0	EDS
L-test for twinning ²	$\langle L \rangle = 0.49$, $\langle L^2 \rangle = 0.32$	Xtrriage
Estimated twinning fraction	No twinning to report.	Xtrriage
F_o, F_c correlation	0.92	EDS
Total number of atoms	9280	wwPDB-VP
Average B, all atoms (Å ²)	14.0	wwPDB-VP

Xtrriage's analysis on translational NCS is as follows: *The largest off-origin peak in the Patterson function is 4.49% of the height of the origin peak. No significant pseudotranslation is detected.*

¹Intensities estimated from amplitudes.

²Theoretical values of $\langle |L| \rangle$, $\langle L^2 \rangle$ for acentric reflections are 0.5, 0.333 respectively for untwinned datasets, and 0.375, 0.2 for perfectly twinned datasets.

5 Model quality [i](#)

5.1 Standard geometry [i](#)

Bond lengths and bond angles in the following residue types are not validated in this section: DDZ, CA, PEG, SO4

The Z score for a bond length (or angle) is the number of standard deviations the observed value is removed from the expected value. A bond length (or angle) with $|Z| > 5$ is considered an outlier worth inspection. RMSZ is the root-mean-square of all Z scores of the bond lengths (or angles).

Mol	Chain	Bond lengths		Bond angles	
		RMSZ	# Z >5	RMSZ	# Z >5
1	A	0.95	3/4255 (0.1%)	0.97	10/5789 (0.2%)
1	B	0.97	2/4247 (0.0%)	0.98	15/5781 (0.3%)
All	All	0.96	5/8502 (0.1%)	0.98	25/11570 (0.2%)

All (5) bond length outliers are listed below:

Mol	Chain	Res	Type	Atoms	Z	Observed(Å)	Ideal(Å)
1	B	26	GLU	CD-OE2	5.93	1.32	1.25
1	B	434	GLU	CD-OE2	-5.60	1.19	1.25
1	A	26	GLU	CD-OE2	5.53	1.31	1.25
1	A	231	GLY	C-O	-5.33	1.15	1.23
1	A	371	SER	CA-CB	5.22	1.60	1.52

All (25) bond angle outliers are listed below:

Mol	Chain	Res	Type	Atoms	Z	Observed(°)	Ideal(°)
1	A	273	ARG	NE-CZ-NH1	10.39	125.50	120.30
1	A	263	ARG	NE-CZ-NH2	-10.00	115.30	120.30
1	A	273	ARG	NE-CZ-NH2	-9.70	115.45	120.30
1	B	273	ARG	NE-CZ-NH1	9.52	125.06	120.30
1	B	263	ARG	NE-CZ-NH2	-8.83	115.88	120.30
1	B	273	ARG	NE-CZ-NH2	-8.68	115.96	120.30
1	B	278	ARG	NE-CZ-NH2	-6.73	116.94	120.30
1	A	150	ASP	CB-CG-OD1	6.68	124.31	118.30
1	A	252	ASP	CB-CG-OD1	6.35	124.01	118.30
1	B	252	ASP	CB-CG-OD1	6.27	123.94	118.30
1	B	199	ARG	NE-CZ-NH2	-6.25	117.18	120.30
1	B	218	ARG	NE-CZ-NH1	6.24	123.42	120.30
1	B	155	ARG	NE-CZ-NH1	6.16	123.38	120.30
1	B	150	ASP	CB-CG-OD1	5.80	123.52	118.30

Continued on next page...

Continued from previous page...

Mol	Chain	Res	Type	Atoms	Z	Observed(°)	Ideal(°)
1	B	195	ARG	NE-CZ-NH1	5.79	123.19	120.30
1	A	278	ARG	NE-CZ-NH2	-5.78	117.41	120.30
1	A	218	ARG	NE-CZ-NH1	5.76	123.18	120.30
1	A	33	ASP	CB-CG-OD1	5.74	123.47	118.30
1	B	491	ASP	CB-CG-OD1	5.53	123.28	118.30
1	A	195	ARG	NE-CZ-NH1	5.13	122.86	120.30
1	B	334	ASP	CB-CG-OD2	5.12	122.91	118.30
1	B	362	ARG	NE-CZ-NH2	-5.11	117.75	120.30
1	B	453	ASP	CB-CG-OD2	-5.06	113.75	118.30
1	B	186	ASP	CB-CG-OD1	5.05	122.85	118.30
1	A	186	ASP	CB-CG-OD1	5.03	122.83	118.30

There are no chirality outliers.

There are no planarity outliers.

5.2 Too-close contacts [i](#)

In the following table, the Non-H and H(model) columns list the number of non-hydrogen atoms and hydrogen atoms in the chain respectively. The H(added) column lists the number of hydrogen atoms added and optimized by MolProbity. The Clashes column lists the number of clashes within the asymmetric unit, whereas Symm-Clashes lists symmetry related clashes.

Mol	Chain	Non-H	H(model)	H(added)	Clashes	Symm-Clashes
1	A	4147	0	4010	54	0
1	B	4134	0	3985	44	0
2	A	1	0	0	0	0
2	B	1	0	0	0	0
3	A	5	0	0	3	0
3	B	5	0	0	1	0
4	A	7	0	10	0	0
4	B	7	0	10	6	0
5	A	502	0	0	28	2
5	B	471	0	0	20	2
All	All	9280	0	8015	100	2

The all-atom clashscore is defined as the number of clashes found per 1000 atoms (including hydrogen atoms). The all-atom clashscore for this structure is 6.

All (100) close contacts within the same asymmetric unit are listed below, sorted by their clash magnitude.

Atom-1	Atom-2	Interatomic distance (Å)	Clash overlap (Å)
1:A:15:LEU:HA	5:A:2011:HOH:O	1.41	1.19
1:A:515:GLU:HA	5:A:2492:HOH:O	1.45	1.16
1:A:282:VAL:HA	5:A:2312:HOH:O	1.42	1.16
1:A:55:ARG:HD3	5:A:2062:HOH:O	1.46	1.13
1:A:402:HIS:CD2	5:A:2054:HOH:O	2.04	1.09
1:B:196:ASP:OD2	5:B:2203:HOH:O	1.78	1.01
1:A:281:GLU:O	5:A:2312:HOH:O	1.77	1.01
1:A:402:HIS:NE2	5:A:2054:HOH:O	1.92	1.01
1:A:55:ARG:CD	5:A:2062:HOH:O	2.04	0.97
1:B:19:ASP:HB3	5:B:2021:HOH:O	1.65	0.96
1:A:358:TRP:HB2	5:A:2225:HOH:O	1.64	0.95
1:A:210:PRO:HG3	5:A:2011:HOH:O	1.66	0.94
1:A:114:TRP:O	5:A:2062:HOH:O	1.91	0.89
4:B:1529:PEG:C3	5:B:2149:HOH:O	2.20	0.88
1:A:210:PRO:CG	5:A:2011:HOH:O	2.25	0.79
1:B:27:ILE:HD12	5:B:2021:HOH:O	1.82	0.78
1:A:392:PRO:O	1:B:393:ARG:NH1	2.19	0.76
1:A:309:ASN:OD1	5:A:2338:HOH:O	2.01	0.76
1:B:199:ARG:NH2	5:B:2203:HOH:O	2.06	0.75
1:B:27:ILE:CD1	5:B:2021:HOH:O	2.35	0.72
1:A:281:GLU:C	5:A:2312:HOH:O	2.26	0.70
1:A:519:ARG:NH2	5:A:2495:HOH:O	2.24	0.69
1:A:282:VAL:CA	5:A:2312:HOH:O	2.13	0.68
1:B:218:ARG:HE	4:B:1529:PEG:H42	1.57	0.68
1:B:309:ASN:OD1	5:B:2321:HOH:O	2.11	0.68
1:A:51:DDZ:HB	3:A:1529:SO4:O4	1.95	0.67
1:B:441:LEU:HD11	5:B:2413:HOH:O	1.94	0.66
1:A:43:THR:OG1	1:A:402:HIS:HD2	1.80	0.65
1:B:218:ARG:NE	4:B:1529:PEG:H42	2.12	0.65
1:B:51:DDZ:OG1	3:B:1530:SO4:O1	2.15	0.64
1:B:43:THR:OG1	1:B:402:HIS:HD2	1.80	0.64
1:B:516:HIS:ND1	5:B:2461:HOH:O	2.21	0.64
1:B:225:ARG:HD2	5:B:2086:HOH:O	1.98	0.64
4:B:1529:PEG:H32	5:B:2149:HOH:O	1.91	0.62
1:A:51:DDZ:OG1	3:A:1529:SO4:O4	2.18	0.61
1:B:491:ASP:OD2	1:B:494:ARG:HD3	2.01	0.61
1:A:51:DDZ:CB	3:A:1529:SO4:O4	2.50	0.59
1:B:97:LEU:HD21	1:B:414:LEU:HD12	1.85	0.59
1:B:199:ARG:NE	5:B:2203:HOH:O	2.29	0.58
1:B:173:THR:HA	5:B:2177:HOH:O	2.03	0.58
1:B:431:GLU:HG2	5:B:2397:HOH:O	2.03	0.58
1:A:97:LEU:HD21	1:A:414:LEU:HD12	1.85	0.57

Continued on next page...

Continued from previous page...

Atom-1	Atom-2	Interatomic distance (Å)	Clash overlap (Å)
1:A:518:LYS:HB2	5:A:2492:HOH:O	2.04	0.57
1:A:156:ILE:CD1	1:A:325:LEU:HD13	2.34	0.57
1:B:156:ILE:CD1	1:B:325:LEU:HD13	2.35	0.56
1:B:287:VAL:HG11	5:B:2021:HOH:O	2.06	0.56
4:B:1529:PEG:H31	5:B:2149:HOH:O	1.98	0.55
1:B:441:LEU:O	1:B:445[A]:SER:HB3	2.07	0.54
1:B:57:MET:HG2	1:B:62:THR:O	2.07	0.54
1:B:43:THR:OG1	1:B:402:HIS:CD2	2.60	0.54
1:A:518:LYS:HD2	5:A:2492:HOH:O	2.08	0.53
1:B:385:VAL:HB	1:B:386:PRO:HD2	1.91	0.53
1:A:272:GLU:HG3	5:A:2303:HOH:O	2.08	0.53
1:A:385:VAL:HB	1:A:386:PRO:HD2	1.91	0.53
1:A:43:THR:OG1	1:A:402:HIS:CD2	2.62	0.52
1:B:134:SER:O	1:B:164:TYR:HA	2.10	0.51
1:B:250:GLU:HB2	1:B:253:VAL:HG23	1.93	0.50
1:A:134:SER:O	1:A:164:TYR:HA	2.11	0.50
1:B:333:PRO:HA	5:B:2328:HOH:O	2.10	0.50
1:A:48:THR:CG2	1:A:57:MET:SD	2.99	0.50
1:B:263:ARG:NH2	1:B:272:GLU:OE2	2.41	0.49
1:B:199:ARG:HB3	1:B:200:PRO:HD2	1.94	0.49
1:A:57:MET:HG2	1:A:62:THR:O	2.12	0.49
1:B:48:THR:CG2	1:B:57:MET:SD	3.01	0.48
1:A:130:GLU:HG3	1:A:131:ARG:HG3	1.96	0.48
1:B:172:ASP:N	1:B:172:ASP:OD1	2.46	0.48
1:B:13:ASP:O	1:B:14:ASP:HB2	2.14	0.48
1:B:328:PHE:HB2	1:B:331:PHE:CD2	2.49	0.47
1:B:479:PRO:O	1:B:482:VAL:HG22	2.14	0.47
1:A:199:ARG:HB3	1:A:200:PRO:HD2	1.96	0.47
1:A:393:ARG:NH2	5:A:2001:HOH:O	2.39	0.47
1:B:130:GLU:HG3	1:B:131:ARG:HG3	1.96	0.47
1:A:328:PHE:HB2	1:A:331:PHE:CD2	2.50	0.47
1:A:263:ARG:NH2	1:A:272:GLU:OE2	2.44	0.46
1:A:511:ALA:HB3	5:A:2488:HOH:O	2.14	0.46
1:B:36:ALA:HB2	1:B:388:LEU:HD22	1.98	0.46
1:A:233:GLU:OE1	1:A:233:GLU:HA	2.15	0.46
1:B:332:GLY:HA3	5:B:2328:HOH:O	2.16	0.46
1:A:103:GLU:HG3	5:A:2119:HOH:O	2.14	0.46
1:B:156:ILE:HD11	1:B:212:TRP:CH2	2.51	0.45
1:A:479:PRO:O	1:A:482:VAL:HG22	2.16	0.45
1:B:27:ILE:HD13	5:B:2021:HOH:O	2.11	0.45
1:A:55:ARG:CB	5:A:2062:HOH:O	2.64	0.45

Continued on next page...

Continued from previous page...

Atom-1	Atom-2	Interatomic distance (Å)	Clash overlap (Å)
1:A:36:ALA:HB2	1:A:388:LEU:HD22	1.97	0.45
1:A:156:ILE:HD11	1:A:212:TRP:CH2	2.52	0.44
1:B:218:ARG:NH2	4:B:1529:PEG:H41	2.33	0.44
1:A:13:ASP:O	1:A:14:ASP:HB2	2.18	0.43
1:A:391:TYR:CZ	1:A:393:ARG:HB2	2.53	0.42
1:A:15:LEU:HD12	5:A:2011:HOH:O	2.19	0.42
1:B:438:ARG:NE	5:B:2406:HOH:O	2.49	0.42
1:A:169:ARG:HB3	1:A:169:ARG:NH1	2.35	0.42
1:B:233:GLU:HA	1:B:233:GLU:OE1	2.19	0.42
1:B:391:TYR:HD2	1:B:394:LEU:HG	1.84	0.42
1:A:358:TRP:CB	5:A:2225:HOH:O	2.41	0.42
1:A:450:ALA:HB1	5:A:2392:HOH:O	2.20	0.41
1:A:43:THR:HG21	5:A:2054:HOH:O	2.19	0.41
1:A:394:LEU:HD13	1:A:444:LEU:HB2	2.03	0.41
1:A:320:ALA:O	1:A:374:TYR:HB2	2.20	0.41
1:A:384:ARG:HD2	1:A:384:ARG:C	2.41	0.41
1:A:518:LYS:CD	5:A:2492:HOH:O	2.67	0.40

All (2) symmetry-related close contacts are listed below. The label for Atom-2 includes the symmetry operator and encoded unit-cell translations to be applied.

Atom-1	Atom-2	Interatomic distance (Å)	Clash overlap (Å)
5:A:2256:HOH:O	5:B:2289:HOH:O[4_455]	1.34	0.86
5:A:2368:HOH:O	5:B:2289:HOH:O[4_455]	2.10	0.10

5.3 Torsion angles [i](#)

5.3.1 Protein backbone [i](#)

In the following table, the Percentiles column shows the percent Ramachandran outliers of the chain as a percentile score with respect to all X-ray entries followed by that with respect to entries of similar resolution.

The Analysed column shows the number of residues for which the backbone conformation was analysed, and the total number of residues.

Mol	Chain	Analysed	Favoured	Allowed	Outliers	Percentiles
1	A	522/536 (97%)	508 (97%)	13 (2%)	1 (0%)	47 33
1	B	523/536 (98%)	504 (96%)	18 (3%)	1 (0%)	47 33

Continued on next page...

Continued from previous page...

Mol	Chain	Analysed	Favoured	Allowed	Outliers	Percentiles
All	All	1045/1072 (98%)	1012 (97%)	31 (3%)	2 (0%)	47 33

All (2) Ramachandran outliers are listed below:

Mol	Chain	Res	Type
1	A	334	ASP
1	B	334	ASP

5.3.2 Protein sidechains [i](#)

In the following table, the Percentiles column shows the percent sidechain outliers of the chain as a percentile score with respect to all X-ray entries followed by that with respect to entries of similar resolution.

The Analysed column shows the number of residues for which the sidechain conformation was analysed, and the total number of residues.

Mol	Chain	Analysed	Rotameric	Outliers	Percentiles
1	A	419/429 (98%)	415 (99%)	4 (1%)	76 69
1	B	417/429 (97%)	412 (99%)	5 (1%)	71 62
All	All	836/858 (97%)	827 (99%)	9 (1%)	73 65

All (9) residues with a non-rotameric sidechain are listed below:

Mol	Chain	Res	Type
1	A	156	ILE
1	A	318	ASN
1	A	359	TYR
1	A	393	ARG
1	B	156	ILE
1	B	176	GLU
1	B	318	ASN
1	B	359	TYR
1	B	426	ARG

Some sidechains can be flipped to improve hydrogen bonding and reduce clashes. All (4) such sidechains are listed below:

Mol	Chain	Res	Type
1	A	309	ASN
1	A	402	HIS

Continued on next page...

Continued from previous page...

Mol	Chain	Res	Type
1	B	309	ASN
1	B	402	HIS

5.3.3 RNA [i](#)

There are no RNA molecules in this entry.

5.4 Non-standard residues in protein, DNA, RNA chains [i](#)

2 non-standard protein/DNA/RNA residues are modelled in this entry.

In the following table, the Counts columns list the number of bonds (or angles) for which Mogul statistics could be retrieved, the number of bonds (or angles) that are observed in the model and the number of bonds (or angles) that are defined in the Chemical Component Dictionary. The Link column lists molecule types, if any, to which the group is linked. The Z score for a bond length (or angle) is the number of standard deviations the observed value is removed from the expected value. A bond length (or angle) with $|Z| > 2$ is considered an outlier worth inspection. RMSZ is the root-mean-square of all Z scores of the bond lengths (or angles).

Mol	Type	Chain	Res	Link	Bond lengths			Bond angles		
					Counts	RMSZ	# Z > 2	Counts	RMSZ	# Z > 2
1	DDZ	B	51	1,2	4,6,7	1.20	0	3,7,9	3.24	2 (66%)
1	DDZ	A	51	1,2	4,6,7	1.28	0	3,7,9	3.05	1 (33%)

In the following table, the Chirals column lists the number of chiral outliers, the number of chiral centers analysed, the number of these observed in the model and the number defined in the Chemical Component Dictionary. Similar counts are reported in the Torsion and Rings columns. '-' means no outliers of that kind were identified.

Mol	Type	Chain	Res	Link	Chirals	Torsions	Rings
1	DDZ	B	51	1,2	-	0/2/6/8	-
1	DDZ	A	51	1,2	-	0/2/6/8	-

There are no bond length outliers.

All (3) bond angle outliers are listed below:

Mol	Chain	Res	Type	Atoms	Z	Observed(°)	Ideal(°)
1	B	51	DDZ	OG2-CB-OG1	5.08	120.21	111.27
1	A	51	DDZ	OG2-CB-OG1	4.86	119.83	111.27
1	B	51	DDZ	O-C-CA	-2.19	119.05	124.78

There are no chirality outliers.

There are no torsion outliers.

There are no ring outliers.

2 monomers are involved in 4 short contacts:

Mol	Chain	Res	Type	Clashes	Symm-Clashes
1	B	51	DDZ	1	0
1	A	51	DDZ	3	0

5.5 Carbohydrates [i](#)

There are no carbohydrates in this entry.

5.6 Ligand geometry [i](#)

Of 6 ligands modelled in this entry, 2 are monoatomic - leaving 4 for Mogul analysis.

In the following table, the Counts columns list the number of bonds (or angles) for which Mogul statistics could be retrieved, the number of bonds (or angles) that are observed in the model and the number of bonds (or angles) that are defined in the Chemical Component Dictionary. The Link column lists molecule types, if any, to which the group is linked. The Z score for a bond length (or angle) is the number of standard deviations the observed value is removed from the expected value. A bond length (or angle) with $|Z| > 2$ is considered an outlier worth inspection. RMSZ is the root-mean-square of all Z scores of the bond lengths (or angles).

Mol	Type	Chain	Res	Link	Bond lengths			Bond angles		
					Counts	RMSZ	$\# Z > 2$	Counts	RMSZ	$\# Z > 2$
4	PEG	B	1529	-	6,6,6	0.63	0	5,5,5	0.65	0
4	PEG	A	1531	-	6,6,6	0.41	0	5,5,5	0.52	0
3	SO4	A	1529	-	4,4,4	0.81	0	6,6,6	1.23	1 (16%)
3	SO4	B	1530	-	4,4,4	0.50	0	6,6,6	1.13	1 (16%)

In the following table, the Chirals column lists the number of chiral outliers, the number of chiral centers analysed, the number of these observed in the model and the number defined in the Chemical Component Dictionary. Similar counts are reported in the Torsion and Rings columns. '-' means no outliers of that kind were identified.

Mol	Type	Chain	Res	Link	Chirals	Torsions	Rings
4	PEG	A	1531	-	-	3/4/4/4	-
4	PEG	B	1529	-	-	3/4/4/4	-

There are no bond length outliers.

All (2) bond angle outliers are listed below:

Mol	Chain	Res	Type	Atoms	Z	Observed(°)	Ideal(°)
3	A	1529	SO4	O4-S-O3	-2.46	98.55	109.06
3	B	1530	SO4	O2-S-O1	-2.05	94.27	109.43

There are no chirality outliers.

All (6) torsion outliers are listed below:

Mol	Chain	Res	Type	Atoms
4	A	1531	PEG	O1-C1-C2-O2
4	B	1529	PEG	O1-C1-C2-O2
4	A	1531	PEG	C1-C2-O2-C3
4	B	1529	PEG	C4-C3-O2-C2
4	A	1531	PEG	C4-C3-O2-C2
4	B	1529	PEG	C1-C2-O2-C3

There are no ring outliers.

3 monomers are involved in 10 short contacts:

Mol	Chain	Res	Type	Clashes	Symm-Clashes
4	B	1529	PEG	6	0
3	A	1529	SO4	3	0
3	B	1530	SO4	1	0

5.7 Other polymers [i](#)

There are no such residues in this entry.

5.8 Polymer linkage issues [i](#)

There are no chain breaks in this entry.

6 Fit of model and data

6.1 Protein, DNA and RNA chains

In the following table, the column labelled ‘#RSRZ > 2’ contains the number (and percentage) of RSRZ outliers, followed by percent RSRZ outliers for the chain as percentile scores relative to all X-ray entries and entries of similar resolution. The OWAB column contains the minimum, median, 95th percentile and maximum values of the occupancy-weighted average B-factor per residue. The column labelled ‘Q < 0.9’ lists the number of (and percentage) of residues with an average occupancy less than 0.9.

Mol	Chain	Analysed	<RSRZ>	#RSRZ > 2	OWAB(Å ²)	Q < 0.9
1	A	524/536 (97%)	0.49	22 (4%) 36 34	4, 12, 30, 53	3 (0%)
1	B	524/536 (97%)	0.53	19 (3%) 42 40	4, 12, 29, 56	3 (0%)
All	All	1048/1072 (97%)	0.51	41 (3%) 39 38	4, 12, 30, 56	6 (0%)

All (41) RSRZ outliers are listed below:

Mol	Chain	Res	Type	RSRZ
1	B	328	PHE	8.3
1	B	331	PHE	7.0
1	B	332	GLY	5.9
1	A	331	PHE	5.1
1	A	328	PHE	4.6
1	B	79	GLU	4.4
1	B	329	PRO	4.0
1	A	3	LYS	3.6
1	A	78	PRO	3.4
1	A	77	THR	3.3
1	B	333	PRO	3.3
1	B	81	GLU	3.1
1	B	78	PRO	3.0
1	A	81	GLU	3.0
1	A	480	ALA	2.9
1	B	80	LEU	2.9
1	A	82	GLY	2.9
1	A	329	PRO	2.8
1	A	421	ARG	2.8
1	A	333	PRO	2.7
1	B	77	THR	2.7
1	A	482	VAL	2.7
1	B	482	VAL	2.7
1	A	334	ASP	2.7

Continued on next page...

Continued from previous page...

Mol	Chain	Res	Type	RSRZ
1	B	330	LYS	2.7
1	A	151	GLU	2.6
1	A	327	ALA	2.5
1	A	79	GLU	2.5
1	B	259	LEU	2.5
1	B	429	GLY	2.4
1	A	429	GLY	2.4
1	B	172	ASP	2.3
1	A	332	GLY	2.2
1	A	252	ASP	2.1
1	B	463	PHE	2.1
1	B	432	ILE	2.1
1	A	173	THR	2.0
1	B	252	ASP	2.0
1	A	155	ARG	2.0
1	B	76	LEU	2.0
1	A	176	GLU	2.0

6.2 Non-standard residues in protein, DNA, RNA chains [i](#)

In the following table, the Atoms column lists the number of modelled atoms in the group and the number defined in the chemical component dictionary. The B-factors column lists the minimum, median, 95th percentile and maximum values of B factors of atoms in the group. The column labelled 'Q< 0.9' lists the number of atoms with occupancy less than 0.9.

Mol	Type	Chain	Res	Atoms	RSCC	RSR	B-factors(Å ²)	Q<0.9
1	DDZ	B	51	7/8	0.94	0.14	8,9,9,9	0
1	DDZ	A	51	7/8	0.96	0.12	8,9,9,10	0

6.3 Carbohydrates [i](#)

There are no carbohydrates in this entry.

6.4 Ligands [i](#)

In the following table, the Atoms column lists the number of modelled atoms in the group and the number defined in the chemical component dictionary. The B-factors column lists the minimum, median, 95th percentile and maximum values of B factors of atoms in the group. The column labelled 'Q< 0.9' lists the number of atoms with occupancy less than 0.9.

Mol	Type	Chain	Res	Atoms	RSCC	RSR	B-factors(\AA^2)	Q<0.9
4	PEG	A	1531	7/7	0.77	0.14	26,26,29,31	0
3	SO4	A	1529	5/5	0.83	0.24	32,37,41,47	0
4	PEG	B	1529	7/7	0.87	0.20	24,24,28,31	0
3	SO4	B	1530	5/5	0.91	0.21	32,33,34,37	0
2	CA	B	1528	1/1	0.99	0.06	16,16,16,16	0
2	CA	A	1528	1/1	0.99	0.07	16,16,16,16	0

6.5 Other polymers [i](#)

There are no such residues in this entry.