



Full wwPDB X-ray Structure Validation Report ⓘ

Jun 14, 2020 – 11:16 am BST

PDB ID : 2J3S
Title : Crystal structure of the human filamin A Ig domains 19 to 21
Authors : Kiema, T.-R.; Ylanne, J.
Deposited on : 2006-08-23
Resolution : 2.50 Å(reported)

This is a Full wwPDB X-ray Structure Validation Report for a publicly released PDB entry.

We welcome your comments at validation@mail.wwpdb.org

A user guide is available at

<https://www.wwpdb.org/validation/2017/XrayValidationReportHelp>

with specific help available everywhere you see the ⓘ symbol.

The following versions of software and data (see [references ⓘ](#)) were used in the production of this report:

MolProbity : 4.02b-467
Mogul : 1.8.5 (274361), CSD as541be (2020)
Xtriage (Phenix) : 1.13
EDS : 2.11
Percentile statistics : 20191225.v01 (using entries in the PDB archive December 25th 2019)
Refmac : 5.8.0158
CCP4 : 7.0.044 (Gargrove)
Ideal geometry (proteins) : Engh & Huber (2001)
Ideal geometry (DNA, RNA) : Parkinson et al. (1996)
Validation Pipeline (wwPDB-VP) : 2.11

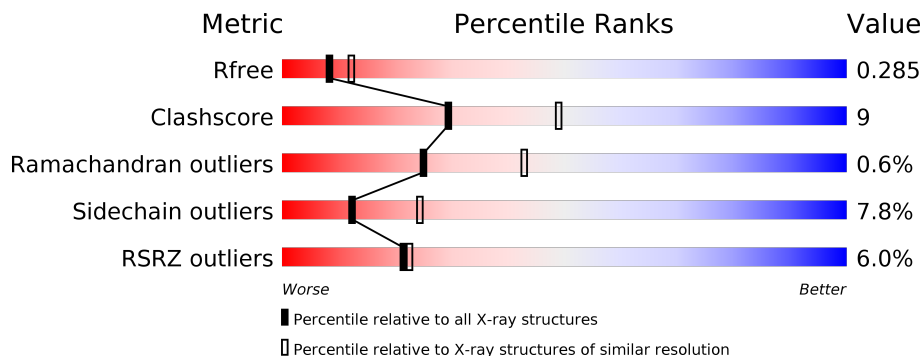
1 Overall quality at a glance i

The following experimental techniques were used to determine the structure:

X-RAY DIFFRACTION

The reported resolution of this entry is 2.50 Å.

Percentile scores (ranging between 0-100) for global validation metrics of the entry are shown in the following graphic. The table shows the number of entries on which the scores are based.



Metric	Whole archive (#Entries)	Similar resolution (#Entries, resolution range(Å))
R_{free}	130704	4661 (2.50-2.50)
Clashscore	141614	5346 (2.50-2.50)
Ramachandran outliers	138981	5231 (2.50-2.50)
Sidechain outliers	138945	5233 (2.50-2.50)
RSRZ outliers	127900	4559 (2.50-2.50)

The table below summarises the geometric issues observed across the polymeric chains and their fit to the electron density. The red, orange, yellow and green segments on the lower bar indicate the fraction of residues that contain outliers for ≥ 3 , 2, 1 and 0 types of geometric quality criteria respectively. A grey segment represents the fraction of residues that are not modelled. The numeric value for each fraction is indicated below the corresponding segment, with a dot representing fractions $\leq 5\%$. The upper red bar (where present) indicates the fraction of residues that have poor fit to the electron density. The numeric value is given above the bar.

Mol	Chain	Length	Quality of chain
1	A	288	<div style="display: flex; align-items: center;"> <div style="width: 4%; height: 10px; background-color: red; margin-right: 5px;"></div> <div style="width: 73%; height: 10px; background-color: green; margin-right: 5px;"></div> <div style="width: 18%; height: 10px; background-color: yellow; margin-right: 5px;"></div> <div style="width: 6%; height: 10px; background-color: orange; margin-right: 5px;"></div> <div style="width: 1%; height: 10px; background-color: grey; margin-right: 5px;"></div> </div>
1	B	288	<div style="display: flex; align-items: center;"> <div style="width: 7%; height: 10px; background-color: red; margin-right: 5px;"></div> <div style="width: 61%; height: 10px; background-color: green; margin-right: 5px;"></div> <div style="width: 16%; height: 10px; background-color: yellow; margin-right: 5px;"></div> <div style="width: 20%; height: 10px; background-color: grey; margin-right: 5px;"></div> </div>

2 Entry composition

There are 5 unique types of molecules in this entry. The entry contains 3779 atoms, of which 0 are hydrogens and 0 are deuteriums.

In the tables below, the ZeroOcc column contains the number of atoms modelled with zero occupancy, the AltConf column contains the number of residues with at least one atom in alternate conformation and the Trace column contains the number of residues modelled with at most 2 atoms.

- Molecule 1 is a protein called FILAMIN-A.

Mol	Chain	Residues	Atoms					ZeroOcc	AltConf	Trace
			Total	C	N	O	S			
1	A	271	Total 2021	C 1259	N 355	O 399	S 8	0	0	1
1	B	229	Total 1703	C 1060	N 302	O 335	S 6	0	0	1

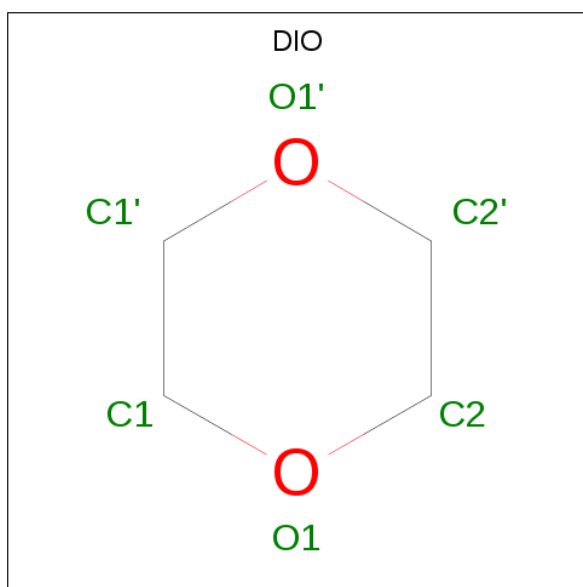
There are 6 discrepancies between the modelled and reference sequences:

Chain	Residue	Modelled	Actual	Comment	Reference
A	-3	GLY	-	expression tag	UNP P21333
A	-2	ALA	-	expression tag	UNP P21333
A	-1	MET	-	expression tag	UNP P21333
B	-3	GLY	-	expression tag	UNP P21333
B	-2	ALA	-	expression tag	UNP P21333
B	-1	MET	-	expression tag	UNP P21333

- Molecule 2 is BROMIDE ION (three-letter code: BR) (formula: Br).

Mol	Chain	Residues	Atoms		ZeroOcc	AltConf
2	B	1	Total 1	Br 1	0	0
2	A	1	Total 1	Br 1	0	0

- Molecule 3 is 1,4-DIETHYLENE DIOXIDE (three-letter code: DIO) (formula: C₄H₈O₂).



Mol	Chain	Residues	Atoms		ZeroOcc	AltConf
3	A	1	Total	C O	0	0
			6	4 2		
3	A	1	Total	C O	0	0
			6	4 2		
3	B	1	Total	C O	0	0
			6	4 2		
3	B	1	Total	C O	0	0
			6	4 2		

- Molecule 4 is GLYCEROL (three-letter code: GOL) (formula: $C_3H_8O_3$).



Mol	Chain	Residues	Atoms			ZeroOcc	AltConf
4	B	1	Total	C	O	0	0
			6	3	3		

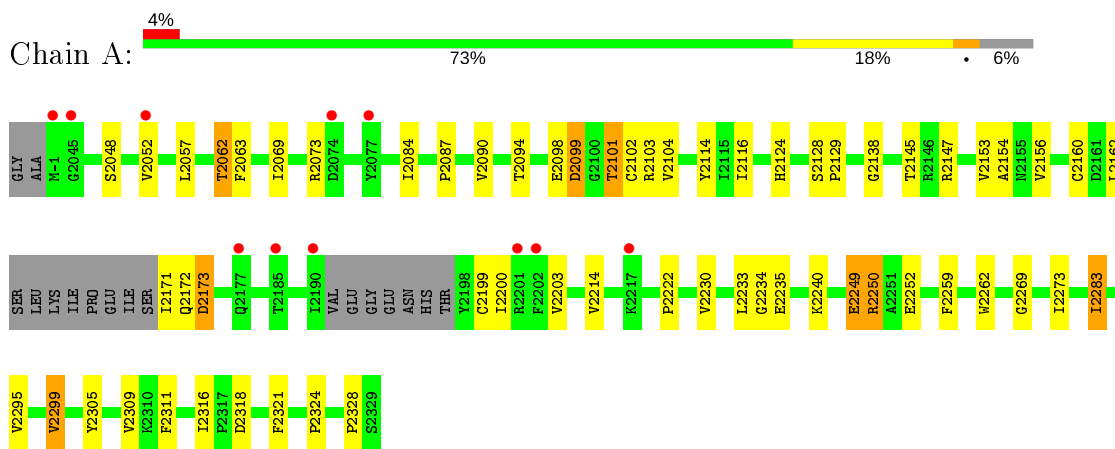
- Molecule 5 is water.

Mol	Chain	Residues	Atoms		ZeroOcc	AltConf
5	A	12	Total	O	0	0
			12	12		
5	B	11	Total	O	0	0
			11	11		

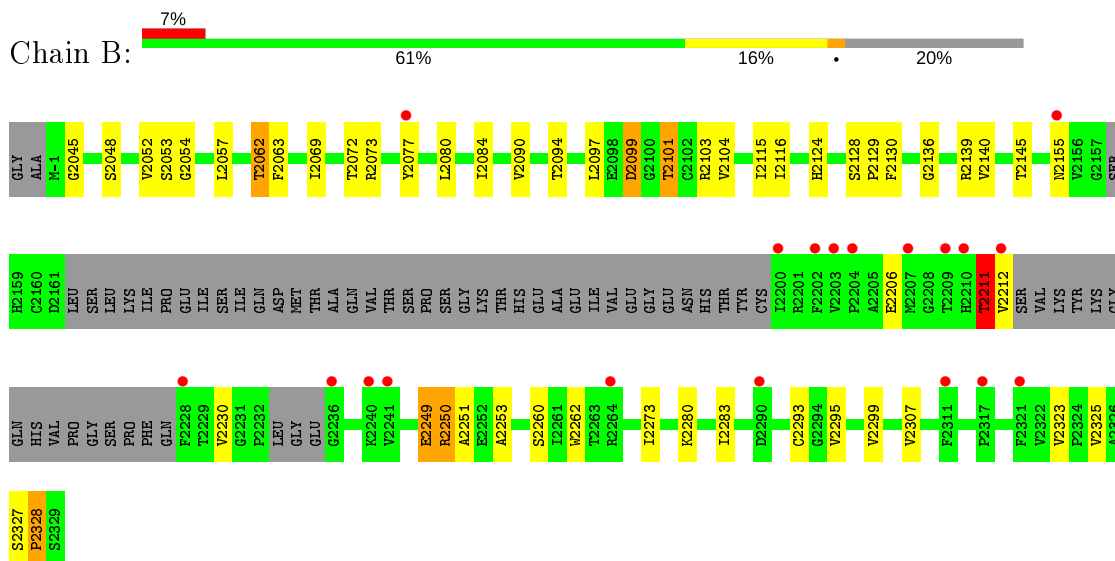
3 Residue-property plots [i](#)

These plots are drawn for all protein, RNA and DNA chains in the entry. The first graphic for a chain summarises the proportions of the various outlier classes displayed in the second graphic. The second graphic shows the sequence view annotated by issues in geometry and electron density. Residues are color-coded according to the number of geometric quality criteria for which they contain at least one outlier: green = 0, yellow = 1, orange = 2 and red = 3 or more. A red dot above a residue indicates a poor fit to the electron density ($RSRZ > 2$). Stretches of 2 or more consecutive residues without any outlier are shown as a green connector. Residues present in the sample, but not in the model, are shown in grey.

- Molecule 1: FILAMIN-A



- Molecule 1: FILAMIN-A



4 Data and refinement statistics

Property	Value	Source
Space group	C 2 2 21	Depositor
Cell constants a, b, c, α , β , γ	72.28Å 78.39Å 229.04Å 90.00° 90.00° 90.00°	Depositor
Resolution (Å)	43.44 – 2.50 43.61 – 2.50	Depositor EDS
% Data completeness (in resolution range)	100.0 (43.44-2.50) 80.8 (43.61-2.50)	Depositor EDS
R_{merge}	0.07	Depositor
R_{sym}	(Not available)	Depositor
$\langle I/\sigma(I) \rangle$ ¹	2.53 (at 2.51Å)	Xtrriage
Refinement program	REFMAC 5.2.0019	Depositor
R, R_{free}	0.252 , 0.297 0.248 , 0.285	Depositor DCC
R_{free} test set	2270 reflections (10.00%)	wwPDB-VP
Wilson B-factor (Å ²)	43.4	Xtrriage
Anisotropy	0.426	Xtrriage
Bulk solvent k_{sol} (e/Å ³), B_{sol} (Å ²)	0.32 , 33.6	EDS
L-test for twinning ²	$\langle L \rangle = 0.42$, $\langle L^2 \rangle = 0.24$	Xtrriage
Estimated twinning fraction	No twinning to report.	Xtrriage
F_o, F_c correlation	0.90	EDS
Total number of atoms	3779	wwPDB-VP
Average B, all atoms (Å ²)	34.0	wwPDB-VP

Xtrriage's analysis on translational NCS is as follows: *The largest off-origin peak in the Patterson function is 3.94% of the height of the origin peak. No significant pseudotranslation is detected.*

¹Intensities estimated from amplitudes.

²Theoretical values of $\langle |L| \rangle$, $\langle L^2 \rangle$ for acentric reflections are 0.5, 0.333 respectively for untwinned datasets, and 0.375, 0.2 for perfectly twinned datasets.

5 Model quality [i](#)

5.1 Standard geometry [i](#)

Bond lengths and bond angles in the following residue types are not validated in this section: GOL, DIO, BR

The Z score for a bond length (or angle) is the number of standard deviations the observed value is removed from the expected value. A bond length (or angle) with $|Z| > 5$ is considered an outlier worth inspection. RMSZ is the root-mean-square of all Z scores of the bond lengths (or angles).

Mol	Chain	Bond lengths		Bond angles	
		RMSZ	# $ Z > 5$	RMSZ	# $ Z > 5$
1	A	0.67	0/2067	0.72	1/2803 (0.0%)
1	B	1.09	5/1739 (0.3%)	0.74	3/2355 (0.1%)
All	All	0.89	5/3806 (0.1%)	0.73	4/5158 (0.1%)

All (5) bond length outliers are listed below:

Mol	Chain	Res	Type	Atoms	Z	Observed(Å)	Ideal(Å)
1	B	2206	GLU	CD-OE1	32.91	1.61	1.25
1	B	2211	THR	CB-CG2	11.06	1.88	1.52
1	B	2212	VAL	C-O	9.87	1.42	1.23
1	B	2206	GLU	CD-OE2	8.00	1.34	1.25
1	B	2211	THR	C-N	6.60	1.49	1.34

All (4) bond angle outliers are listed below:

Mol	Chain	Res	Type	Atoms	Z	Observed($^{\circ}$)	Ideal($^{\circ}$)
1	B	2211	THR	O-C-N	6.49	133.08	122.70
1	B	2211	THR	CA-CB-CG2	-5.97	104.05	112.40
1	A	2147	ARG	NE-CZ-NH1	5.96	123.28	120.30
1	B	2211	THR	CA-C-N	-5.01	106.18	117.20

There are no chirality outliers.

There are no planarity outliers.

5.2 Too-close contacts [i](#)

In the following table, the Non-H and H(model) columns list the number of non-hydrogen atoms and hydrogen atoms in the chain respectively. The H(added) column lists the number of hydrogen atoms added and optimized by MolProbity. The Clashes column lists the number of clashes within

the asymmetric unit, whereas Symm-Clashes lists symmetry related clashes.

Mol	Chain	Non-H	H(model)	H(added)	Clashes	Symm-Clashes
1	A	2021	0	1944	40	0
1	B	1703	0	1634	34	0
2	A	1	0	0	1	0
2	B	1	0	0	1	0
3	A	12	0	16	1	0
3	B	12	0	16	2	0
4	B	6	0	8	0	0
5	A	12	0	0	0	0
5	B	11	0	0	0	0
All	All	3779	0	3618	70	0

The all-atom clashscore is defined as the number of clashes found per 1000 atoms (including hydrogen atoms). The all-atom clashscore for this structure is 9.

All (70) close contacts within the same asymmetric unit are listed below, sorted by their clash magnitude.

Atom-1	Atom-2	Interatomic distance (Å)	Clash overlap (Å)
1:B:2211:THR:CG2	1:B:2211:THR:CB	1.88	1.51
1:A:2249:GLU:OE2	1:A:2250:ARG:HD2	1.59	1.00
1:B:2249:GLU:OE2	1:B:2250:ARG:HD2	1.71	0.90
1:A:2052:VAL:HG12	1:A:2057:LEU:HD11	1.63	0.80
1:B:2062:THR:HG23	1:B:2063:PHE:HD1	1.50	0.76
1:A:2062:THR:HG23	1:A:2063:PHE:HD1	1.51	0.75
1:A:2099:ASP:OD2	1:A:2101:THR:HB	1.88	0.73
1:B:2072:THR:HG21	2:B:3330:BR:BR	2.44	0.72
1:B:2062:THR:HG23	1:B:2063:PHE:CD1	2.26	0.71
1:B:2211:THR:CG2	1:B:2211:THR:CA	2.69	0.71
1:A:2062:THR:HG23	1:A:2063:PHE:CD1	2.26	0.69
1:B:2099:ASP:OD2	1:B:2101:THR:HB	1.93	0.69
1:B:2052:VAL:HG12	1:B:2057:LEU:HD11	1.76	0.68
1:A:2233:LEU:HD21	1:A:2269:GLY:HA2	1.74	0.67
1:A:2048:SER:HB3	1:B:2262:TRP:CE2	2.32	0.64
1:B:2069:ILE:HG23	1:B:2101:THR:HG23	1.79	0.64
1:A:2234:GLY:O	1:A:2235:GLU:HG3	1.97	0.63
1:B:2124:HIS:HD2	1:B:2128:SER:OG	1.81	0.63
1:A:2069:ILE:HG23	1:A:2101:THR:HG23	1.82	0.61
1:B:2062:THR:HB	1:B:2136:GLY:HA3	1.83	0.61
1:A:2259:PHE:HA	2:A:3330:BR:BR	2.59	0.58
1:A:2094:THR:HG22	1:A:2104:VAL:HG22	1.86	0.57
1:B:2062:THR:CG2	1:B:2063:PHE:HD1	2.18	0.54

Continued on next page...

Continued from previous page...

Atom-1	Atom-2	Interatomic distance (Å)	Clash overlap (Å)
1:A:2173:ASP:N	1:A:2173:ASP:OD1	2.43	0.52
1:A:2233:LEU:CD2	1:A:2269:GLY:HA2	2.40	0.52
1:A:2062:THR:CG2	1:A:2063:PHE:HD1	2.21	0.52
1:A:2200:ILE:HD11	1:A:2214:VAL:CG2	2.41	0.51
1:B:2073:ARG:HD3	1:B:2099:ASP:O	2.11	0.51
1:B:2084:ILE:HG12	1:B:2116:ILE:HG12	1.92	0.51
1:A:2087:PRO:HD2	1:A:2114:TYR:CZ	2.46	0.51
1:A:2069:ILE:HG23	1:A:2101:THR:CG2	2.41	0.51
1:B:2054:GLY:H	3:B:3332:DIO:H1'1	1.75	0.50
1:B:2139:ARG:HG3	1:B:2140:VAL:HG23	1.93	0.50
1:A:2160:CYS:HB3	1:A:2199:CYS:SG	2.51	0.50
1:B:2069:ILE:HG23	1:B:2101:THR:CG2	2.43	0.49
1:A:2084:ILE:HG12	1:A:2116:ILE:HG12	1.95	0.48
1:B:2053:SER:HB2	3:B:3332:DIO:H2'2	1.96	0.48
1:A:2262:TRP:CD2	1:B:2048:SER:HB3	2.50	0.47
1:B:2273:ILE:HG21	1:B:2295:VAL:HG11	1.96	0.47
1:A:2162:LEU:O	1:A:2199:CYS:HA	2.15	0.47
1:A:2318:ASP:HB2	1:A:2321:PHE:CE2	2.49	0.47
1:A:2073:ARG:HD3	1:A:2099:ASP:O	2.15	0.47
1:B:2307:VAL:HG23	1:B:2323:VAL:HG21	1.96	0.47
1:B:2211:THR:CG2	1:B:2211:THR:HA	2.45	0.47
1:B:2094:THR:HA	1:B:2103:ARG:O	2.14	0.46
1:A:2172:GLN:HE21	1:A:2172:GLN:HA	1.79	0.46
1:A:2124:HIS:HD2	1:A:2128:SER:OG	1.99	0.46
1:A:2249:GLU:HG2	1:B:2129:PRO:HG2	1.98	0.46
1:A:2101:THR:CG2	1:A:2102:CYS:N	2.80	0.45
1:B:2251:ALA:HB3	1:B:2325:VAL:HG22	1.97	0.45
1:B:2211:THR:CG2	1:B:2211:THR:OG1	2.60	0.44
1:B:2045:GLY:HA3	1:B:2077:TYR:O	2.18	0.44
1:A:2129:PRO:HG2	1:B:2249:GLU:HG2	1.99	0.43
1:A:2094:THR:HA	1:A:2103:ARG:O	2.17	0.43
1:A:2311:PHE:HE1	3:A:3331:DIO:H12	1.83	0.43
1:A:2154:ALA:O	1:A:2156:VAL:N	2.47	0.43
1:A:2252:GLU:OE2	1:A:2328:PRO:HA	2.19	0.42
1:B:2094:THR:HG22	1:B:2104:VAL:HG22	2.01	0.42
1:A:2299:VAL:HG11	1:A:2305:TYR:CZ	2.55	0.42
1:A:2273:ILE:HD12	1:A:2273:ILE:N	2.34	0.41
1:A:2283:ILE:HD13	1:A:2283:ILE:HG21	1.58	0.41
1:A:2309:VAL:HB	1:A:2316:ILE:HG12	2.02	0.41
1:B:2115:ILE:HA	1:B:2130:PHE:O	2.20	0.41
1:B:2253:ALA:HB3	1:B:2328:PRO:HD3	2.03	0.41

Continued on next page...

Continued from previous page...

Atom-1	Atom-2	Interatomic distance (Å)	Clash overlap (Å)
1:A:2160:CYS:HB3	1:A:2199:CYS:HG	1.86	0.41
1:A:2200:ILE:HD11	1:A:2214:VAL:HG21	2.02	0.41
1:B:2097:LEU:HD12	1:B:2101:THR:HG22	2.03	0.41
1:B:2260:SER:HA	1:B:2293:CYS:O	2.21	0.41
1:A:2249:GLU:O	1:A:2324:PRO:HD2	2.21	0.40
1:A:2273:ILE:HG21	1:A:2295:VAL:HG11	2.03	0.40

There are no symmetry-related clashes.

5.3 Torsion angles [i](#)

5.3.1 Protein backbone [i](#)

In the following table, the Percentiles column shows the percent Ramachandran outliers of the chain as a percentile score with respect to all X-ray entries followed by that with respect to entries of similar resolution.

The Analysed column shows the number of residues for which the backbone conformation was analysed, and the total number of residues.

Mol	Chain	Analysed	Favoured	Allowed	Outliers	Percentiles	
1	A	265/288 (92%)	253 (96%)	10 (4%)	2 (1%)	19	35
1	B	219/288 (76%)	215 (98%)	3 (1%)	1 (0%)	29	48
All	All	484/576 (84%)	468 (97%)	13 (3%)	3 (1%)	25	43

All (3) Ramachandran outliers are listed below:

Mol	Chain	Res	Type
1	B	2328	PRO
1	A	2138	GLY
1	A	2222	PRO

5.3.2 Protein sidechains [i](#)

In the following table, the Percentiles column shows the percent sidechain outliers of the chain as a percentile score with respect to all X-ray entries followed by that with respect to entries of similar resolution.

The Analysed column shows the number of residues for which the sidechain conformation was analysed, and the total number of residues.

Mol	Chain	Analysed	Rotameric	Outliers	Percentiles	
1	A	216/231 (94%)	200 (93%)	16 (7%)	13	27
1	B	180/231 (78%)	165 (92%)	15 (8%)	11	22
All	All	396/462 (86%)	365 (92%)	31 (8%)	12	24

All (31) residues with a non-rotameric sidechain are listed below:

Mol	Chain	Res	Type
1	A	2062	THR
1	A	2090	VAL
1	A	2098	GLU
1	A	2099	ASP
1	A	2101	THR
1	A	2145	THR
1	A	2153	VAL
1	A	2171	ILE
1	A	2173	ASP
1	A	2203	VAL
1	A	2230	VAL
1	A	2240	LYS
1	A	2249	GLU
1	A	2250	ARG
1	A	2283	ILE
1	A	2299	VAL
1	B	2062	THR
1	B	2080	LEU
1	B	2090	VAL
1	B	2099	ASP
1	B	2101	THR
1	B	2145	THR
1	B	2155	ASN
1	B	2211	THR
1	B	2230	VAL
1	B	2249	GLU
1	B	2250	ARG
1	B	2280	LYS
1	B	2283	ILE
1	B	2299	VAL
1	B	2327	SER

Some sidechains can be flipped to improve hydrogen bonding and reduce clashes. All (5) such sidechains are listed below:

Mol	Chain	Res	Type
1	A	2093	ASN
1	A	2124	HIS
1	A	2172	GLN
1	B	2093	ASN
1	B	2124	HIS

5.3.3 RNA [i](#)

There are no RNA molecules in this entry.

5.4 Non-standard residues in protein, DNA, RNA chains [i](#)

There are no non-standard protein/DNA/RNA residues in this entry.

5.5 Carbohydrates [i](#)

There are no carbohydrates in this entry.

5.6 Ligand geometry [i](#)

Of 7 ligands modelled in this entry, 2 are monoatomic - leaving 5 for Mogul analysis.

In the following table, the Counts columns list the number of bonds (or angles) for which Mogul statistics could be retrieved, the number of bonds (or angles) that are observed in the model and the number of bonds (or angles) that are defined in the Chemical Component Dictionary. The Link column lists molecule types, if any, to which the group is linked. The Z score for a bond length (or angle) is the number of standard deviations the observed value is removed from the expected value. A bond length (or angle) with $|Z| > 2$ is considered an outlier worth inspection. RMSZ is the root-mean-square of all Z scores of the bond lengths (or angles).

Mol	Type	Chain	Res	Link	Bond lengths			Bond angles		
					Counts	RMSZ	$\# Z > 2$	Counts	RMSZ	$\# Z > 2$
4	GOL	B	3333	-	5,5,5	0.37	0	5,5,5	0.23	0
3	DIO	B	3332	-	6,6,6	0.56	0	6,6,6	0.68	0
3	DIO	B	3331	-	6,6,6	0.56	0	6,6,6	0.55	0
3	DIO	A	3332	-	6,6,6	0.59	0	6,6,6	0.57	0
3	DIO	A	3331	-	6,6,6	0.53	0	6,6,6	0.88	0

In the following table, the Chirals column lists the number of chiral outliers, the number of chiral centers analysed, the number of these observed in the model and the number defined in the Chemical Component Dictionary. Similar counts are reported in the Torsion and Rings columns. '-' means no outliers of that kind were identified.

Mol	Type	Chain	Res	Link	Chirals	Torsions	Rings
3	DIO	B	3332	-	-	-	0/1/1/1
3	DIO	B	3331	-	-	-	0/1/1/1
3	DIO	A	3332	-	-	-	0/1/1/1
4	GOL	B	3333	-	-	0/4/4/4	-
3	DIO	A	3331	-	-	-	0/1/1/1

There are no bond length outliers.

There are no bond angle outliers.

There are no chirality outliers.

There are no torsion outliers.

There are no ring outliers.

2 monomers are involved in 3 short contacts:

Mol	Chain	Res	Type	Clashes	Symm-Clashes
3	B	3332	DIO	2	0
3	A	3331	DIO	1	0

5.7 Other polymers [i](#)

There are no such residues in this entry.

5.8 Polymer linkage issues [i](#)

There are no chain breaks in this entry.

6 Fit of model and data

6.1 Protein, DNA and RNA chains

In the following table, the column labelled ‘#RSRZ> 2’ contains the number (and percentage) of RSRZ outliers, followed by percent RSRZ outliers for the chain as percentile scores relative to all X-ray entries and entries of similar resolution. The OWAB column contains the minimum, median, 95th percentile and maximum values of the occupancy-weighted average B-factor per residue. The column labelled ‘Q< 0.9’ lists the number of (and percentage) of residues with an average occupancy less than 0.9.

Mol	Chain	Analysed	<RSRZ>	#RSRZ>2	OWAB(Å ²)	Q<0.9
1	A	271/288 (94%)	0.54	11 (4%) 37 40	23, 34, 41, 51	0
1	B	229/288 (79%)	0.66	19 (8%) 11 11	24, 35, 41, 49	0
All	All	500/576 (86%)	0.60	30 (6%) 21 22	23, 34, 41, 51	0

All (30) RSRZ outliers are listed below:

Mol	Chain	Res	Type	RSRZ
1	A	2077	TYR	9.7
1	B	2203	VAL	7.0
1	B	2228	PHE	5.1
1	B	2077	TYR	4.7
1	A	2202	PHE	4.4
1	A	2045	GLY	4.3
1	B	2212	VAL	4.2
1	B	2204	PRO	4.2
1	B	2264	ARG	4.0
1	B	2311	PHE	3.4
1	B	2200	ILE	3.3
1	B	2202	PHE	3.3
1	B	2210	HIS	3.0
1	B	2321	PHE	3.0
1	A	-1	MET	2.8
1	B	2241	VAL	2.8
1	A	2052	VAL	2.8
1	A	2074	ASP	2.6
1	B	2209	THR	2.6
1	A	2217	LYS	2.5
1	B	2155	ASN	2.4
1	A	2201	ARG	2.4
1	A	2190	ILE	2.3
1	B	2207	MET	2.3

Continued on next page...

Continued from previous page...

Mol	Chain	Res	Type	RSRZ
1	B	2236	GLY	2.3
1	B	2317	PRO	2.3
1	A	2177	GLN	2.1
1	A	2185	THR	2.1
1	B	2290	ASP	2.0
1	B	2240	LYS	2.0

6.2 Non-standard residues in protein, DNA, RNA chains [i](#)

There are no non-standard protein/DNA/RNA residues in this entry.

6.3 Carbohydrates [i](#)

There are no carbohydrates in this entry.

6.4 Ligands [i](#)

In the following table, the Atoms column lists the number of modelled atoms in the group and the number defined in the chemical component dictionary. The B-factors column lists the minimum, median, 95th percentile and maximum values of B factors of atoms in the group. The column labelled 'Q< 0.9' lists the number of atoms with occupancy less than 0.9.

Mol	Type	Chain	Res	Atoms	RSCC	RSR	B-factors(Å ²)	Q<0.9
4	GOL	B	3333	6/6	0.72	0.24	61,62,62,62	0
3	DIO	B	3332	6/6	0.82	0.23	70,71,71,72	0
3	DIO	A	3332	6/6	0.86	0.23	51,52,52,53	0
3	DIO	A	3331	6/6	0.91	0.24	33,34,35,35	0
3	DIO	B	3331	6/6	0.95	0.17	55,56,56,56	0
2	BR	B	3330	1/1	0.98	0.20	86,86,86,86	0
2	BR	A	3330	1/1	0.99	0.23	58,58,58,58	0

6.5 Other polymers [i](#)

There are no such residues in this entry.