



Full wwPDB X-ray Structure Validation Report ⓘ

Dec 9, 2023 – 09:53 am GMT

PDB ID : 2J7F
Title : Beta-glucosidase from *Thermotoga maritima* in complex with carboxylate-substituted glucoimidazole
Authors : Gloster, T.M.; Zechel, D.; Vasella, A.; Davies, G.J.
Deposited on : 2006-10-07
Resolution : 2.28 Å (reported)

This is a Full wwPDB X-ray Structure Validation Report for a publicly released PDB entry.

We welcome your comments at validation@mail.wwpdb.org

A user guide is available at

<https://www.wwpdb.org/validation/2017/XrayValidationReportHelp>

with specific help available everywhere you see the ⓘ symbol.

The types of validation reports are described at

<http://www.wwpdb.org/validation/2017/FAQs#types>.

The following versions of software and data (see [references ⓘ](#)) were used in the production of this report:

MolProbity : 4.02b-467
Mogul : 1.8.4, CSD as541be (2020)
Xtriage (Phenix) : 1.13
EDS : 2.36
Percentile statistics : 20191225.v01 (using entries in the PDB archive December 25th 2019)
Refmac : 5.8.0158
CCP4 : 7.0.044 (Gargrove)
Ideal geometry (proteins) : Engh & Huber (2001)
Ideal geometry (DNA, RNA) : Parkinson et al. (1996)
Validation Pipeline (wwPDB-VP) : 2.36

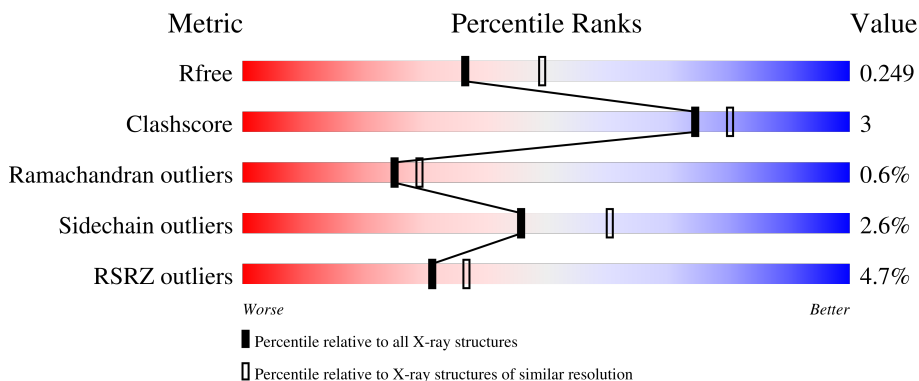
1 Overall quality at a glance

The following experimental techniques were used to determine the structure:

X-RAY DIFFRACTION

The reported resolution of this entry is 2.28 Å.

Percentile scores (ranging between 0-100) for global validation metrics of the entry are shown in the following graphic. The table shows the number of entries on which the scores are based.



Metric	Whole archive (#Entries)	Similar resolution (#Entries, resolution range(Å))
R_{free}	130704	6980 (2.30-2.26)
Clashscore	141614	7711 (2.30-2.26)
Ramachandran outliers	138981	7597 (2.30-2.26)
Sidechain outliers	138945	7598 (2.30-2.26)
RSRZ outliers	127900	6849 (2.30-2.26)

The table below summarises the geometric issues observed across the polymeric chains and their fit to the electron density. The red, orange, yellow and green segments of the lower bar indicate the fraction of residues that contain outliers for ≥ 3 , 2, 1 and 0 types of geometric quality criteria respectively. A grey segment represents the fraction of residues that are not modelled. The numeric value for each fraction is indicated below the corresponding segment, with a dot representing fractions $\leq 5\%$. The upper red bar (where present) indicates the fraction of residues that have poor fit to the electron density. The numeric value is given above the bar.

Mol	Chain	Length	Quality of chain
1	A	468	
1	B	468	

2 Entry composition [i](#)

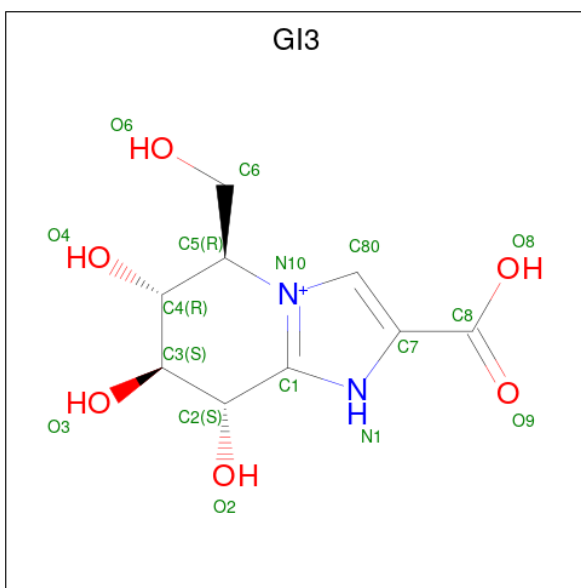
There are 5 unique types of molecules in this entry. The entry contains 7747 atoms, of which 0 are hydrogens and 0 are deuteriums.

In the tables below, the ZeroOcc column contains the number of atoms modelled with zero occupancy, the AltConf column contains the number of residues with at least one atom in alternate conformation and the Trace column contains the number of residues modelled with at most 2 atoms.

- Molecule 1 is a protein called BETA-GLUCOSIDASE A.

Mol	Chain	Residues	Atoms					ZeroOcc	AltConf	Trace
			Total	C	N	O	S			
1	A	435	Total	C	N	O	S	0	10	0
			3626	2361	611	648	6			
1	B	436	Total	C	N	O	S	0	11	0
			3618	2352	603	656	7			

- Molecule 2 is CARBOXYLATE-SUBSTITUTED GLUCOIMIDAZOLE (three-letter code: GI3) (formula: C₉H₁₃N₂O₆).



Mol	Chain	Residues	Atoms				ZeroOcc	AltConf
			Total	C	N	O		
2	A	1	Total	C	N	O	0	0
			17	9	2	6		
2	B	1	Total	C	N	O	0	0
			17	9	2	6		

- Molecule 3 is ACETATE ION (three-letter code: ACT) (formula: C₂H₃O₂).



Mol	Chain	Residues	Atoms	ZeroOcc	AltConf
3	A	1	Total C O 4 2 2	0	0

- Molecule 4 is CALCIUM ION (three-letter code: CA) (formula: Ca).

Mol	Chain	Residues	Atoms	ZeroOcc	AltConf
4	B	1	Total Ca 1 1	0	0


- Molecule 5 is water.

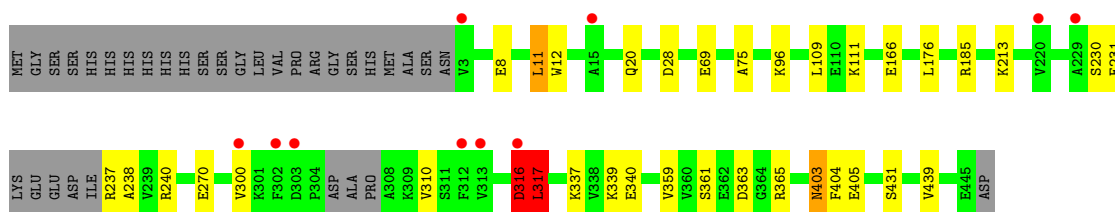
Mol	Chain	Residues	Atoms	ZeroOcc	AltConf
5	A	268	Total O 268 268	0	0
5	B	196	Total O 196 196	0	0

3 Residue-property plots [i](#)


These plots are drawn for all protein, RNA, DNA and oligosaccharide chains in the entry. The first graphic for a chain summarises the proportions of the various outlier classes displayed in the second graphic. The second graphic shows the sequence view annotated by issues in geometry and electron density. Residues are color-coded according to the number of geometric quality criteria for which they contain at least one outlier: green = 0, yellow = 1, orange = 2 and red = 3 or more. A red dot above a residue indicates a poor fit to the electron density ($RSRZ > 2$). Stretches of 2 or more consecutive residues without any outlier are shown as a green connector. Residues present in the sample, but not in the model, are shown in grey.

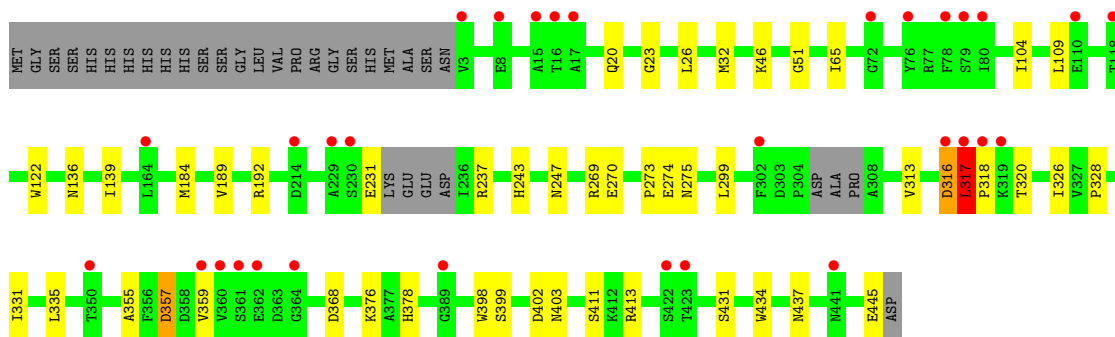
- Molecule 1: BETA-GLUCOSIDASE A

Chain A: 



- Molecule 1: BETA-GLUCOSIDASE A

Chain B: 



4 Data and refinement statistics

Property	Value	Source
Space group	P 21 21 21	Depositor
Cell constants a, b, c, α , β , γ	94.14Å 94.20Å 112.97Å 90.00° 90.00° 90.00°	Depositor
Resolution (Å)	72.36 – 2.28 29.77 – 2.28	Depositor EDS
% Data completeness (in resolution range)	98.6 (72.36-2.28) 98.7 (29.77-2.28)	Depositor EDS
R_{merge}	0.07	Depositor
R_{sym}	(Not available)	Depositor
$\langle I/\sigma(I) \rangle$ ¹	2.96 (at 2.29Å)	Xtrriage
Refinement program	REFMAC 5.2.0005	Depositor
R, R_{free}	0.183 , 0.250 0.182 , 0.249	Depositor DCC
R_{free} test set	2313 reflections (5.05%)	wwPDB-VP
Wilson B-factor (Å ²)	33.6	Xtrriage
Anisotropy	0.044	Xtrriage
Bulk solvent k_{sol} (e/Å ³), B_{sol} (Å ²)	0.34 , 52.9	EDS
L-test for twinning ²	$\langle L \rangle = 0.50$, $\langle L^2 \rangle = 0.34$	Xtrriage
Estimated twinning fraction	0.011 for k,h,-l	Xtrriage
F_o, F_c correlation	0.95	EDS
Total number of atoms	7747	wwPDB-VP
Average B, all atoms (Å ²)	33.0	wwPDB-VP

Xtrriage's analysis on translational NCS is as follows: *The largest off-origin peak in the Patterson function is 3.61% of the height of the origin peak. No significant pseudotranslation is detected.*

¹Intensities estimated from amplitudes.

²Theoretical values of $\langle |L| \rangle$, $\langle L^2 \rangle$ for acentric reflections are 0.5, 0.333 respectively for untwinned datasets, and 0.375, 0.2 for perfectly twinned datasets.

5 Model quality

5.1 Standard geometry

Bond lengths and bond angles in the following residue types are not validated in this section: GI3, ACT, CA

The Z score for a bond length (or angle) is the number of standard deviations the observed value is removed from the expected value. A bond length (or angle) with $|Z| > 5$ is considered an outlier worth inspection. RMSZ is the root-mean-square of all Z scores of the bond lengths (or angles).

Mol	Chain	Bond lengths		Bond angles	
		RMSZ	# Z >5	RMSZ	# Z >5
1	A	0.67	0/3763	0.69	0/5107
1	B	0.65	0/3752	0.66	0/5100
All	All	0.66	0/7515	0.68	0/10207

There are no bond length outliers.

There are no bond angle outliers.

There are no chirality outliers.

There are no planarity outliers.

5.2 Too-close contacts

In the following table, the Non-H and H(model) columns list the number of non-hydrogen atoms and hydrogen atoms in the chain respectively. The H(added) column lists the number of hydrogen atoms added and optimized by MolProbity. The Clashes column lists the number of clashes within the asymmetric unit, whereas Symm-Clashes lists symmetry-related clashes.

Mol	Chain	Non-H	H(model)	H(added)	Clashes	Symm-Clashes
1	A	3626	0	3511	20	0
1	B	3618	0	3446	25	0
2	A	17	0	12	1	0
2	B	17	0	12	0	0
3	A	4	0	3	0	0
4	B	1	0	0	0	0
5	A	268	0	0	2	0
5	B	196	0	0	3	0
All	All	7747	0	6984	45	0

The all-atom clashscore is defined as the number of clashes found per 1000 atoms (including hydrogen atoms). The all-atom clashscore for this structure is 3.

All (45) close contacts within the same asymmetric unit are listed below, sorted by their clash magnitude.

Atom-1	Atom-2	Interatomic distance (Å)	Clash overlap (Å)
1:B:269[A]:ARG:NH1	5:B:2137:HOH:O	1.73	1.21
1:B:26:LEU:HD21	1:B:32:MET:HG2	1.71	0.72
1:A:237:ARG:HA	1:A:240[B]:ARG:HD2	1.78	0.65
1:B:316:ASP:O	1:B:317:LEU:O	2.14	0.65
1:B:274[A]:GLU:O	1:B:275[A]:ASN:HB2	2.04	0.57
1:A:20:GLN:HG2	1:A:404:PHE:O	2.06	0.56
1:A:230:SER:OG	1:A:231:GLU:N	2.38	0.56
1:A:361:SER:HB2	1:A:363:ASP:OD1	2.07	0.55
1:B:184[A]:MET:SD	1:B:189:VAL:HG11	2.47	0.54
1:B:368:ASP:OD2	1:B:431:SER:OG	2.22	0.54
1:A:213:LYS:HE3	5:A:2156:HOH:O	2.10	0.52
1:B:318:PRO:HB2	1:B:326:ILE:HD12	1.91	0.51
1:B:402:ASP:CG	1:B:413:ARG:HB3	2.32	0.50
1:A:405:GLU:HG3	1:A:405:GLU:O	2.12	0.50
1:B:376:LYS:HB2	1:B:434:TRP:CZ2	2.47	0.49
1:A:403:ASN:HD22	1:A:403:ASN:C	2.16	0.49
1:A:300:VAL:HG13	1:A:310:VAL:HG13	1.94	0.47
1:A:20:GLN:O	1:A:403:ASN:HB2	2.15	0.47
1:A:166:GLU:CD	2:A:1446:GI3:H1	2.17	0.47
1:B:65:ILE:HD11	1:B:104:ILE:HG23	1.97	0.46
1:B:192:ARG:HG2	1:B:273:PRO:HG3	1.98	0.46
1:A:11:LEU:HD12	1:A:75:ALA:HB2	1.96	0.46
1:B:357:ASP:N	1:B:357:ASP:OD1	2.48	0.46
1:B:320:THR:HB	1:B:355:ALA:O	2.16	0.46
1:B:270[A]:GLU:OE2	5:B:2142:HOH:O	2.21	0.45
1:B:402:ASP:OD1	1:B:413:ARG:HB3	2.16	0.45
1:A:28:ASP:HB3	1:A:96:LYS:HD3	1.98	0.44
1:A:339:LYS:NZ	5:A:2213:HOH:O	2.42	0.44
1:A:337[B]:LYS:NZ	1:A:340:GLU:OE2	2.49	0.44
1:A:176:LEU:O	1:A:185[A]:ARG:HG2	2.18	0.44
1:B:243:HIS:O	1:B:247:ASN:HB2	2.18	0.43
1:A:238:ALA:HB1	1:A:310:VAL:HG22	2.01	0.43
1:B:269[B]:ARG:HG2	5:B:2143:HOH:O	2.19	0.43
1:A:316:ASP:HB3	1:A:317:LEU:H	1.72	0.43
1:A:12:TRP:HB3	1:A:439:VAL:HG22	2.02	0.42
1:A:316:ASP:O	1:A:317:LEU:O	2.38	0.42
1:B:20:GLN:O	1:B:403:ASN:HB2	2.20	0.42
1:B:136:ASN:O	1:B:139:ILE:HG22	2.20	0.41
1:B:23:GLY:HA2	1:B:51:GLY:O	2.19	0.41
1:B:299:LEU:HD23	1:B:313:VAL:HB	2.02	0.41

Continued on next page...

Continued from previous page...

Atom-1	Atom-2	Interatomic distance (Å)	Clash overlap (Å)
1:B:331:ILE:O	1:B:335:LEU:HD12	2.20	0.41
1:B:398:TRP:HA	1:B:399:SER:HA	1.76	0.41
1:B:328:PRO:HA	1:B:378:HIS:NE2	2.36	0.41
1:A:69:GLU:CD	1:A:111:LYS:HD3	2.41	0.40
1:B:437:ASN:HD22	1:B:437:ASN:HA	1.72	0.40

There are no symmetry-related clashes.

5.3 Torsion angles [i](#)

5.3.1 Protein backbone [i](#)

In the following table, the Percentiles column shows the percent Ramachandran outliers of the chain as a percentile score with respect to all X-ray entries followed by that with respect to entries of similar resolution.

The Analysed column shows the number of residues for which the backbone conformation was analysed, and the total number of residues.

Mol	Chain	Analysed	Favoured	Allowed	Outliers	Percentiles	
1	A	439/468 (94%)	422 (96%)	15 (3%)	2 (0%)	29	34
1	B	441/468 (94%)	425 (96%)	13 (3%)	3 (1%)	22	25
All	All	880/936 (94%)	847 (96%)	28 (3%)	5 (1%)	25	29

All (5) Ramachandran outliers are listed below:

Mol	Chain	Res	Type
1	A	316	ASP
1	A	317	LEU
1	B	122	TRP
1	B	316	ASP
1	B	317	LEU

5.3.2 Protein sidechains [i](#)

In the following table, the Percentiles column shows the percent sidechain outliers of the chain as a percentile score with respect to all X-ray entries followed by that with respect to entries of similar resolution.

The Analysed column shows the number of residues for which the sidechain conformation was

analysed, and the total number of residues.

Mol	Chain	Analysed	Rotameric	Outliers	Percentiles	
1	A	378/399 (95%)	366 (97%)	12 (3%)	39	52
1	B	374/399 (94%)	365 (98%)	9 (2%)	49	63
All	All	752/798 (94%)	731 (97%)	21 (3%)	46	57

All (21) residues with a non-rotameric sidechain are listed below:

Mol	Chain	Res	Type
1	A	8	GLU
1	A	11	LEU
1	A	109	LEU
1	A	270[A]	GLU
1	A	270[B]	GLU
1	A	316	ASP
1	A	317	LEU
1	A	359	VAL
1	A	365	ARG
1	A	403	ASN
1	A	431[A]	SER
1	A	431[B]	SER
1	B	46	LYS
1	B	109	LEU
1	B	231	GLU
1	B	237	ARG
1	B	317	LEU
1	B	357	ASP
1	B	359	VAL
1	B	411	SER
1	B	445	GLU

Sometimes sidechains can be flipped to improve hydrogen bonding and reduce clashes. All (4) such sidechains are listed below:

Mol	Chain	Res	Type
1	A	47	ASN
1	A	381	GLN
1	A	403	ASN
1	B	437	ASN

5.3.3 RNA [i](#)

There are no RNA molecules in this entry.

5.4 Non-standard residues in protein, DNA, RNA chains [i](#)

There are no non-standard protein/DNA/RNA residues in this entry.

5.5 Carbohydrates [i](#)

There are no monosaccharides in this entry.

5.6 Ligand geometry [i](#)

Of 4 ligands modelled in this entry, 1 is monoatomic - leaving 3 for Mogul analysis.

In the following table, the Counts columns list the number of bonds (or angles) for which Mogul statistics could be retrieved, the number of bonds (or angles) that are observed in the model and the number of bonds (or angles) that are defined in the Chemical Component Dictionary. The Link column lists molecule types, if any, to which the group is linked. The Z score for a bond length (or angle) is the number of standard deviations the observed value is removed from the expected value. A bond length (or angle) with $|Z| > 2$ is considered an outlier worth inspection. RMSZ is the root-mean-square of all Z scores of the bond lengths (or angles).

Mol	Type	Chain	Res	Link	Bond lengths			Bond angles		
					Counts	RMSZ	# Z > 2	Counts	RMSZ	# Z > 2
2	GI3	B	1446	-	15,18,18	1.47	3 (20%)	15,27,27	1.52	3 (20%)
3	ACT	A	1447	-	3,3,3	0.74	0	3,3,3	2.05	2 (66%)
2	GI3	A	1446	-	15,18,18	1.61	4 (26%)	15,27,27	1.65	3 (20%)

In the following table, the Chirals column lists the number of chiral outliers, the number of chiral centers analysed, the number of these observed in the model and the number defined in the Chemical Component Dictionary. Similar counts are reported in the Torsion and Rings columns. '-' means no outliers of that kind were identified.

Mol	Type	Chain	Res	Link	Chirals	Torsions	Rings
2	GI3	B	1446	-	-	2/4/26/26	0/1/2/2
2	GI3	A	1446	-	-	1/4/26/26	0/1/2/2

All (7) bond length outliers are listed below:

Mol	Chain	Res	Type	Atoms	Z	Observed(Å)	Ideal(Å)
2	B	1446	GI3	O9-C8	3.30	1.32	1.22
2	A	1446	GI3	O9-C8	3.17	1.32	1.22
2	B	1446	GI3	O8-C8	-2.86	1.21	1.30
2	A	1446	GI3	O8-C8	-2.80	1.22	1.30
2	A	1446	GI3	C80-N10	-2.39	1.34	1.38
2	A	1446	GI3	C7-C8	-2.33	1.47	1.50
2	B	1446	GI3	C80-N10	-2.28	1.34	1.38

All (8) bond angle outliers are listed below:

Mol	Chain	Res	Type	Atoms	Z	Observed(°)	Ideal(°)
2	B	1446	GI3	O8-C8-C7	3.91	123.59	114.69
2	A	1446	GI3	O4-C4-C3	3.57	118.59	110.35
2	A	1446	GI3	O3-C3-C4	2.78	116.78	110.35
3	A	1447	ACT	OXT-C-O	-2.60	112.46	122.05
2	A	1446	GI3	O8-C8-C7	2.43	120.22	114.69
3	A	1447	ACT	OXT-C-CH3	2.42	125.17	115.18
2	B	1446	GI3	O4-C4-C5	2.35	113.94	109.77
2	B	1446	GI3	O8-C8-O9	-2.17	118.54	123.35

There are no chirality outliers.

All (3) torsion outliers are listed below:

Mol	Chain	Res	Type	Atoms
2	A	1446	GI3	N1-C7-C8-O9
2	B	1446	GI3	N1-C7-C8-O9
2	B	1446	GI3	C80-C7-C8-O9

There are no ring outliers.

1 monomer is involved in 1 short contact:

Mol	Chain	Res	Type	Clashes	Symm-Clashes
2	A	1446	GI3	1	0

5.7 Other polymers [\(i\)](#)

There are no such residues in this entry.

5.8 Polymer linkage issues [\(i\)](#)

There are no chain breaks in this entry.

6 Fit of model and data [i](#)

6.1 Protein, DNA and RNA chains [i](#)

In the following table, the column labelled ‘#RSRZ > 2’ contains the number (and percentage) of RSRZ outliers, followed by percent RSRZ outliers for the chain as percentile scores relative to all X-ray entries and entries of similar resolution. The OWAB column contains the minimum, median, 95th percentile and maximum values of the occupancy-weighted average B-factor per residue. The column labelled ‘Q < 0.9’ lists the number of (and percentage) of residues with an average occupancy less than 0.9.

Mol	Chain	Analysed	<RSRZ>	#RSRZ>2	OWAB(Å ²)	Q<0.9
1	A	435/468 (92%)	-0.18	10 (2%) 60 66	18, 30, 50, 61	0
1	B	436/468 (93%)	0.21	31 (7%) 16 19	19, 35, 55, 61	0
All	All	871/936 (93%)	0.01	41 (4%) 31 37	18, 32, 53, 61	0

All (41) RSRZ outliers are listed below:

Mol	Chain	Res	Type	RSRZ
1	B	360	VAL	4.5
1	B	359	VAL	4.4
1	B	422	SER	4.0
1	B	229	ALA	3.9
1	B	364	GLY	3.5
1	B	17	ALA	3.3
1	B	361	SER	3.3
1	B	389	GLY	3.2
1	A	312	PHE	3.0
1	B	350	THR	3.0
1	B	441	ASN	2.9
1	A	313	VAL	2.9
1	B	164	LEU	2.9
1	B	78	PHE	2.9
1	A	302	PHE	2.8
1	B	79	SER	2.8
1	B	110	GLU	2.7
1	B	15	ALA	2.7
1	B	362	GLU	2.7
1	B	302	PHE	2.6
1	A	229	ALA	2.6
1	B	230	SER	2.5
1	B	317	LEU	2.5
1	B	118	THR	2.4

Continued on next page...

Continued from previous page...

Mol	Chain	Res	Type	RSRZ
1	A	316	ASP	2.4
1	B	3	VAL	2.4
1	B	76	TYR	2.3
1	B	8	GLU	2.3
1	A	303	ASP	2.2
1	B	318	PRO	2.2
1	B	72	GLY	2.2
1	A	300	VAL	2.2
1	B	80	ILE	2.2
1	A	15	ALA	2.2
1	B	16	THR	2.1
1	B	316	ASP	2.1
1	B	423	THR	2.1
1	A	3	VAL	2.0
1	A	220	VAL	2.0
1	B	214[A]	ASP	2.0
1	B	319	LYS	2.0

6.2 Non-standard residues in protein, DNA, RNA chains [i](#)

There are no non-standard protein/DNA/RNA residues in this entry.

6.3 Carbohydrates [i](#)

There are no monosaccharides in this entry.

6.4 Ligands [i](#)

In the following table, the Atoms column lists the number of modelled atoms in the group and the number defined in the chemical component dictionary. The B-factors column lists the minimum, median, 95th percentile and maximum values of B factors of atoms in the group. The column labelled 'Q< 0.9' lists the number of atoms with occupancy less than 0.9.

Mol	Type	Chain	Res	Atoms	RSCC	RSR	B-factors(\AA^2)	Q<0.9
3	ACT	A	1447	4/4	0.73	0.26	35,37,37,39	0
2	GI3	A	1446	17/17	0.80	0.27	41,48,53,54	0
2	GI3	B	1446	17/17	0.92	0.21	39,42,47,49	0
4	CA	B	1447	1/1	0.93	0.05	50,50,50,50	0

6.5 Other polymers [i](#)

There are no such residues in this entry.