



Full wwPDB X-ray Structure Validation Report ⓘ

May 22, 2020 – 01:24 am BST

PDB ID : 1O4S
Title : Crystal structure of Aspartate aminotransferase (TM1255) from *Thermotoga maritima* at 1.90 Å resolution
Authors : Joint Center for Structural Genomics (JCSG)
Deposited on : 2003-06-26
Resolution : 1.90 Å(reported)

This is a Full wwPDB X-ray Structure Validation Report for a publicly released PDB entry.

We welcome your comments at validation@mail.wwpdb.org

A user guide is available at

<https://www.wwpdb.org/validation/2017/XrayValidationReportHelp>

with specific help available everywhere you see the ⓘ symbol.

The following versions of software and data (see [references ⓘ](#)) were used in the production of this report:

MolProbity : 4.02b-467
Mogul : 1.8.5 (274361), CSD as541be (2020)
Xtriage (Phenix) : 1.13
EDS : 2.11
Percentile statistics : 20191225.v01 (using entries in the PDB archive December 25th 2019)
Refmac : 5.8.0158
CCP4 : 7.0.044 (Gargrove)
Ideal geometry (proteins) : Engh & Huber (2001)
Ideal geometry (DNA, RNA) : Parkinson et al. (1996)
Validation Pipeline (wwPDB-VP) : 2.11

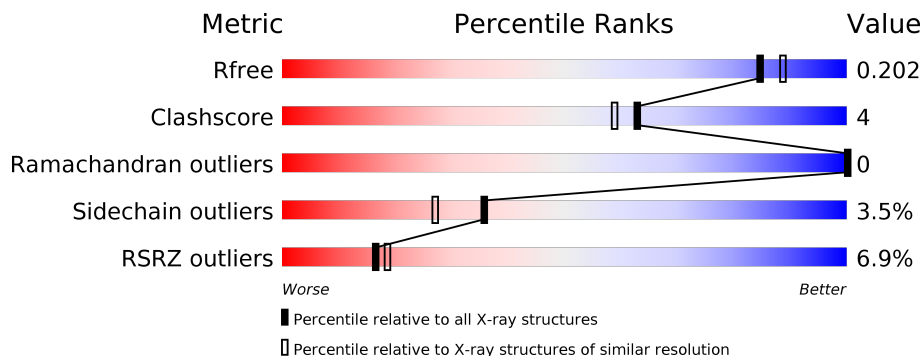
1 Overall quality at a glance

The following experimental techniques were used to determine the structure:

X-RAY DIFFRACTION

The reported resolution of this entry is 1.90 Å.

Percentile scores (ranging between 0-100) for global validation metrics of the entry are shown in the following graphic. The table shows the number of entries on which the scores are based.



Metric	Whole archive (#Entries)	Similar resolution (#Entries, resolution range(Å))
R_{free}	130704	6207 (1.90-1.90)
Clashscore	141614	6847 (1.90-1.90)
Ramachandran outliers	138981	6760 (1.90-1.90)
Sidechain outliers	138945	6760 (1.90-1.90)
RSRZ outliers	127900	6082 (1.90-1.90)

The table below summarises the geometric issues observed across the polymeric chains and their fit to the electron density. The red, orange, yellow and green segments on the lower bar indicate the fraction of residues that contain outliers for ≥ 3 , 2, 1 and 0 types of geometric quality criteria respectively. A grey segment represents the fraction of residues that are not modelled. The numeric value for each fraction is indicated below the corresponding segment, with a dot representing fractions $\leq 5\%$. The upper red bar (where present) indicates the fraction of residues that have poor fit to the electron density. The numeric value is given above the bar.

Mol	Chain	Length	Quality of chain
1	A	389	 3% 84% 11% . .
1	B	389	 10% 85% 12% . .

2 Entry composition [i](#)

There are 4 unique types of molecules in this entry. The entry contains 6699 atoms, of which 0 are hydrogens and 0 are deuteriums.

In the tables below, the ZeroOcc column contains the number of atoms modelled with zero occupancy, the AltConf column contains the number of residues with at least one atom in alternate conformation and the Trace column contains the number of residues modelled with at most 2 atoms.

- Molecule 1 is a protein called Aspartate aminotransferase.

Mol	Chain	Residues	Atoms					ZeroOcc	AltConf	Trace
			Total	C	N	O	S			
1	A	375	Total	C	N	O	S	0	6	0
			2973	1915	495	556	7			
1	B	384	Total	C	N	O	S	0	5	0
			3064	1972	513	570	9			

There are 24 discrepancies between the modelled and reference sequences:

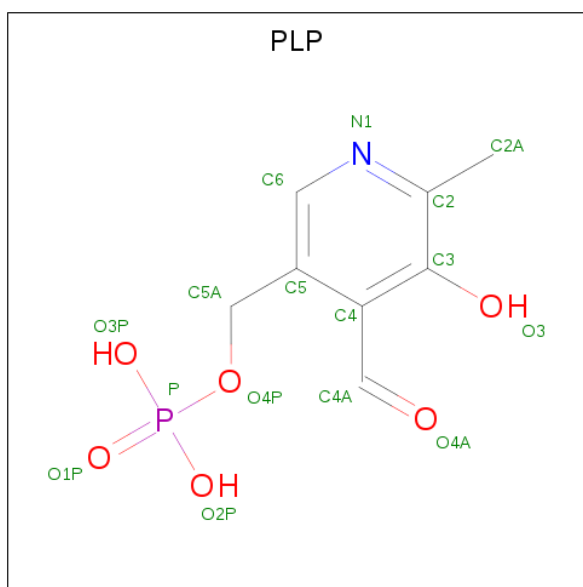
Chain	Residue	Modelled	Actual	Comment	Reference
A	-11	MET	-	LEADER SEQUENCE	UNP Q9X0Y2
A	-10	GLY	-	LEADER SEQUENCE	UNP Q9X0Y2
A	-9	SER	-	LEADER SEQUENCE	UNP Q9X0Y2
A	-8	ASP	-	LEADER SEQUENCE	UNP Q9X0Y2
A	-7	LYS	-	LEADER SEQUENCE	UNP Q9X0Y2
A	-6	ILE	-	LEADER SEQUENCE	UNP Q9X0Y2
A	-5	HIS	-	LEADER SEQUENCE	UNP Q9X0Y2
A	-4	HIS	-	LEADER SEQUENCE	UNP Q9X0Y2
A	-3	HIS	-	LEADER SEQUENCE	UNP Q9X0Y2
A	-2	HIS	-	LEADER SEQUENCE	UNP Q9X0Y2
A	-1	HIS	-	LEADER SEQUENCE	UNP Q9X0Y2
A	0	HIS	-	LEADER SEQUENCE	UNP Q9X0Y2
B	-11	MET	-	LEADER SEQUENCE	UNP Q9X0Y2
B	-10	GLY	-	LEADER SEQUENCE	UNP Q9X0Y2
B	-9	SER	-	LEADER SEQUENCE	UNP Q9X0Y2
B	-8	ASP	-	LEADER SEQUENCE	UNP Q9X0Y2
B	-7	LYS	-	LEADER SEQUENCE	UNP Q9X0Y2
B	-6	ILE	-	LEADER SEQUENCE	UNP Q9X0Y2
B	-5	HIS	-	LEADER SEQUENCE	UNP Q9X0Y2
B	-4	HIS	-	LEADER SEQUENCE	UNP Q9X0Y2
B	-3	HIS	-	LEADER SEQUENCE	UNP Q9X0Y2
B	-2	HIS	-	LEADER SEQUENCE	UNP Q9X0Y2
B	-1	HIS	-	LEADER SEQUENCE	UNP Q9X0Y2
B	0	HIS	-	LEADER SEQUENCE	UNP Q9X0Y2

- Molecule 2 is SULFATE ION (three-letter code: SO4) (formula: O₄S).



Mol	Chain	Residues	Atoms			ZeroOcc	AltConf
2	A	1	Total	O	S	0	0
			5	4	1		
2	A	1	Total	O	S	0	0
			5	4	1		
2	A	1	Total	O	S	0	0
			5	4	1		
2	A	1	Total	O	S	0	0
			5	4	1		
2	A	1	Total	O	S	0	0
			5	4	1		
2	B	1	Total	O	S	0	0
			5	4	1		
2	B	1	Total	O	S	0	0
			5	4	1		

- Molecule 3 is PYRIDOXAL-5'-PHOSPHATE (three-letter code: PLP) (formula: C₈H₁₀NO₆P).



Mol	Chain	Residues	Atoms					ZeroOcc	AltConf
			Total	C	N	O	P		
3	A	1	15	8	1	5	1	0	0
3	B	1	15	8	1	5	1	0	0

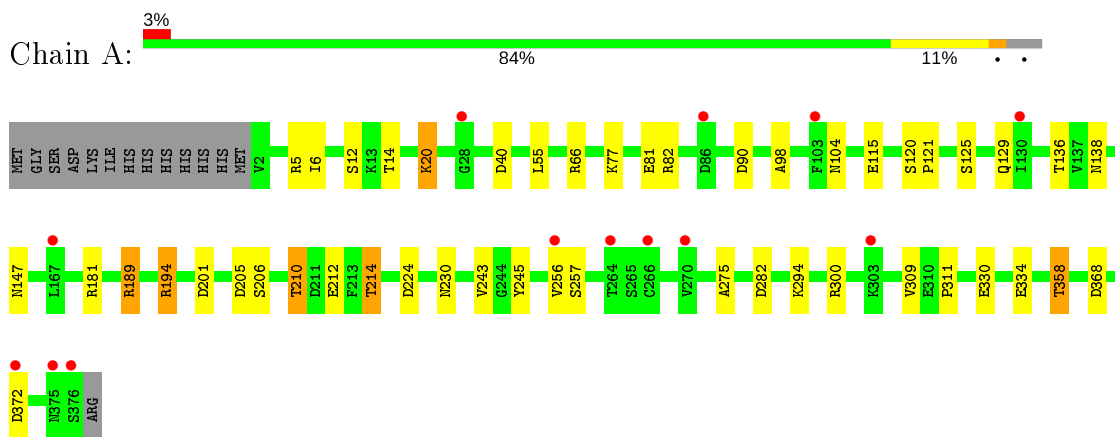
- Molecule 4 is water.

Mol	Chain	Residues	Atoms		ZeroOcc	AltConf
4	A	340	Total	O	0	0
			340	340		
4	B	247	Total	O	0	0
			247	247		

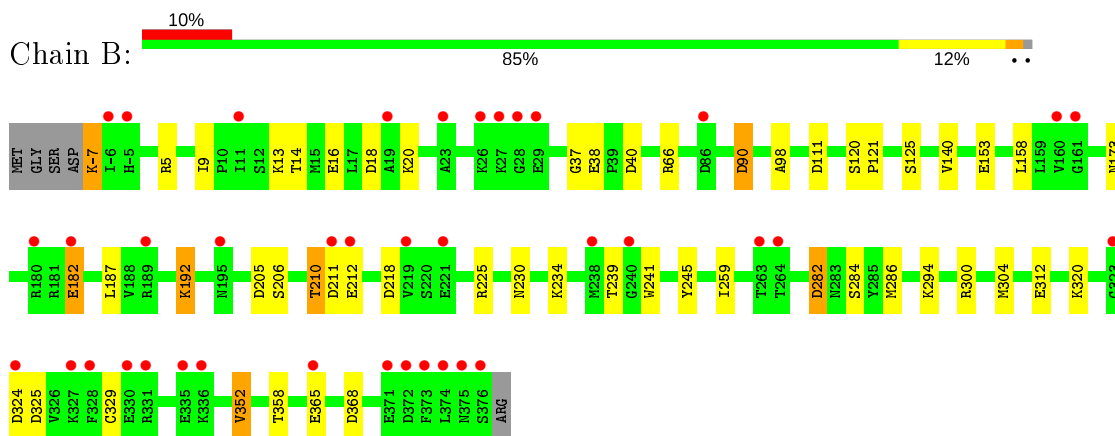
3 Residue-property plots [i](#)

These plots are drawn for all protein, RNA and DNA chains in the entry. The first graphic for a chain summarises the proportions of the various outlier classes displayed in the second graphic. The second graphic shows the sequence view annotated by issues in geometry and electron density. Residues are color-coded according to the number of geometric quality criteria for which they contain at least one outlier: green = 0, yellow = 1, orange = 2 and red = 3 or more. A red dot above a residue indicates a poor fit to the electron density ($RSRZ > 2$). Stretches of 2 or more consecutive residues without any outlier are shown as a green connector. Residues present in the sample, but not in the model, are shown in grey.

- Molecule 1: Aspartate aminotransferase



- Molecule 1: Aspartate aminotransferase



4 Data and refinement statistics

Property	Value	Source
Space group	P 21 21 21	Depositor
Cell constants a, b, c, α , β , γ	64.05Å 79.51Å 170.18Å 90.00° 90.00° 90.00°	Depositor
Resolution (Å)	43.00 – 1.90 43.03 – 1.90	Depositor EDS
% Data completeness (in resolution range)	85.8 (43.00-1.90) 85.8 (43.03-1.90)	Depositor EDS
R_{merge}	(Not available)	Depositor
R_{sym}	0.06	Depositor
$\langle I/\sigma(I) \rangle$ ¹	1.46 (at 1.89Å)	Xtrriage
Refinement program	REFMAC	Depositor
R, R_{free}	0.159 , 0.200 0.169 , 0.202	Depositor DCC
R_{free} test set	1249 reflections (2.10%)	wwPDB-VP
Wilson B-factor (Å ²)	27.0	Xtrriage
Anisotropy	0.505	Xtrriage
Bulk solvent k_{sol} (e/Å ³), B_{sol} (Å ²)	0.36 , 46.7	EDS
L-test for twinning ²	$\langle L \rangle = 0.49$, $\langle L^2 \rangle = 0.32$	Xtrriage
Estimated twinning fraction	No twinning to report.	Xtrriage
F_o, F_c correlation	0.96	EDS
Total number of atoms	6699	wwPDB-VP
Average B, all atoms (Å ²)	35.0	wwPDB-VP

Xtrriage's analysis on translational NCS is as follows: *The largest off-origin peak in the Patterson function is 3.37% of the height of the origin peak. No significant pseudotranslation is detected.*

¹Intensities estimated from amplitudes.

²Theoretical values of $\langle |L| \rangle$, $\langle L^2 \rangle$ for acentric reflections are 0.5, 0.333 respectively for untwinned datasets, and 0.375, 0.2 for perfectly twinned datasets.

5 Model quality [i](#)

5.1 Standard geometry [i](#)

Bond lengths and bond angles in the following residue types are not validated in this section: SO4, PLP

The Z score for a bond length (or angle) is the number of standard deviations the observed value is removed from the expected value. A bond length (or angle) with $|Z| > 5$ is considered an outlier worth inspection. RMSZ is the root-mean-square of all Z scores of the bond lengths (or angles).

Mol	Chain	Bond lengths		Bond angles	
		RMSZ	# Z >5	RMSZ	# Z >5
1	A	0.84	1/3062 (0.0%)	0.91	10/4140 (0.2%)
1	B	0.75	0/3151	0.87	13/4256 (0.3%)
All	All	0.80	1/6213 (0.0%)	0.89	23/8396 (0.3%)

All (1) bond length outliers are listed below:

Mol	Chain	Res	Type	Atoms	Z	Observed(Å)	Ideal(Å)
1	A	115	GLU	CD-OE2	-5.03	1.20	1.25

All (23) bond angle outliers are listed below:

Mol	Chain	Res	Type	Atoms	Z	Observed(°)	Ideal(°)
1	A	194	ARG	NE-CZ-NH2	-9.45	115.57	120.30
1	A	194	ARG	NE-CZ-NH1	8.50	124.55	120.30
1	B	205	ASP	CB-CG-OD2	7.17	124.75	118.30
1	A	205	ASP	CB-CG-OD2	7.06	124.66	118.30
1	A	224	ASP	CB-CG-OD2	6.72	124.35	118.30
1	B	211	ASP	CB-CG-OD2	6.46	124.12	118.30
1	B	324	ASP	CB-CG-OD2	6.40	124.06	118.30
1	B	90	ASP	CB-CG-OD2	6.19	123.87	118.30
1	A	40	ASP	CB-CG-OD2	6.18	123.86	118.30
1	B	325	ASP	CB-CG-OD2	6.11	123.80	118.30
1	A	372	ASP	CB-CG-OD2	5.91	123.62	118.30
1	B	18	ASP	CB-CG-OD2	5.90	123.61	118.30
1	B	218	ASP	CB-CG-OD2	5.82	123.54	118.30
1	A	282	ASP	CB-CG-OD2	5.71	123.44	118.30
1	B	40	ASP	CB-CG-OD2	5.59	123.34	118.30
1	B	282	ASP	CB-CG-OD2	5.46	123.22	118.30
1	A	5	ARG	NE-CZ-NH1	5.44	123.02	120.30
1	B	66[A]	ARG	NE-CZ-NH2	-5.31	117.64	120.30

Continued on next page...

Continued from previous page...

Mol	Chain	Res	Type	Atoms	Z	Observed(°)	Ideal(°)
1	B	66[B]	ARG	NE-CZ-NH2	-5.31	117.64	120.30
1	A	358	THR	OG1-CB-CG2	-5.30	97.82	110.00
1	B	111	ASP	CB-CG-OD2	5.29	123.07	118.30
1	B	368	ASP	CB-CG-OD2	5.12	122.91	118.30
1	A	189	ARG	NE-CZ-NH2	-5.01	117.80	120.30

There are no chirality outliers.

There are no planarity outliers.

5.2 Too-close contacts [i](#)

In the following table, the Non-H and H(model) columns list the number of non-hydrogen atoms and hydrogen atoms in the chain respectively. The H(added) column lists the number of hydrogen atoms added and optimized by MolProbity. The Clashes column lists the number of clashes within the asymmetric unit, whereas Symm-Clashes lists symmetry related clashes.

Mol	Chain	Non-H	H(model)	H(added)	Clashes	Symm-Clashes
1	A	2973	0	3009	29	0
1	B	3064	0	3103	26	0
2	A	35	0	0	0	0
2	B	10	0	0	0	0
3	A	15	0	6	2	0
3	B	15	0	6	2	0
4	A	340	0	0	10	0
4	B	247	0	0	6	0
All	All	6699	0	6124	53	0

The all-atom clashscore is defined as the number of clashes found per 1000 atoms (including hydrogen atoms). The all-atom clashscore for this structure is 4.

All (53) close contacts within the same asymmetric unit are listed below, sorted by their clash magnitude.

Atom-1	Atom-2	Interatomic distance (Å)	Clash overlap (Å)
1:B:286:MET:SD	1:B:286:MET:CE	2.01	1.46
1:A:20[A]:LYS:NZ	1:A:334:GLU:OE1	1.91	1.04
1:A:6:ILE:HD11	1:B:259:ILE:HD11	1.45	0.96
1:A:214:THR:HG23	4:A:1314:HOH:O	1.93	0.68
1:B:320:LYS:NZ	4:B:1423:HOH:O	2.28	0.66
1:B:-7:LYS:N	4:B:1345:HOH:O	2.29	0.64
1:A:98:ALA:HB3	3:A:1234:PLP:H5A1	1.79	0.64

Continued on next page...

Continued from previous page...

Atom-1	Atom-2	Interatomic distance (Å)	Clash overlap (Å)
1:A:210:THR:HG23	1:A:212:GLU:H	1.62	0.64
1:A:181:ARG:HB2	1:A:214:THR:HG21	1.82	0.61
1:A:210:THR:CG2	1:A:212:GLU:H	2.13	0.61
1:A:300:ARG:NH2	1:A:368:ASP:OD2	2.32	0.60
1:A:77:LYS:NZ	1:A:81:GLU:OE1	2.35	0.60
1:B:120:SER:HA	1:B:121:PRO:C	2.25	0.56
1:A:12:SER:OG	1:A:14:THR:HG22	2.06	0.56
1:A:358:THR:HG23	4:A:1243:HOH:O	2.05	0.56
1:A:90[A]:ASP:OD1	4:A:1403:HOH:O	2.17	0.55
1:A:189:ARG:HD3	4:A:1330:HOH:O	2.06	0.55
1:B:98:ALA:HB3	3:B:1234:PLP:H5A1	1.89	0.55
1:A:66[B]:ARG:HG2	1:A:257[B]:SER:HB2	1.90	0.54
1:A:66[A]:ARG:HG2	1:A:257[A]:SER:OG	2.09	0.52
1:A:82:ARG:NH1	4:A:1472:HOH:O	2.44	0.50
1:B:20:LYS:NZ	4:B:1428:HOH:O	2.44	0.50
1:B:358:THR:HG23	4:B:1252:HOH:O	2.10	0.50
1:A:330:GLU:OE2	4:A:1445:HOH:O	2.19	0.49
1:A:358:THR:CG2	4:A:1243:HOH:O	2.60	0.49
1:A:230:ASN:HB3	1:A:245:TYR:CZ	2.49	0.47
1:B:329:CYS:SG	1:B:352:VAL:HG22	2.55	0.47
1:A:201:ASP:OD2	3:A:1234:PLP:N1	2.49	0.46
1:B:210:THR:HG21	1:B:312:GLU:OE2	2.16	0.46
1:A:147:ASN:OD1	1:A:309:VAL:HG11	2.15	0.46
4:A:1574:HOH:O	1:B:9:ILE:HG21	2.15	0.46
1:A:104:ASN:HB3	1:A:256:VAL:HG13	1.98	0.46
1:B:37:GLY:O	1:B:234:LYS:HE2	2.16	0.45
1:B:192:LYS:HD3	1:B:225:ARG:NH2	2.31	0.45
1:A:120:SER:HA	1:A:121:PRO:C	2.37	0.45
1:B:182:GLU:CD	1:B:182:GLU:H	2.19	0.45
1:B:230:ASN:HB3	1:B:245:TYR:CZ	2.52	0.45
1:B:16:GLU:O	1:B:20:LYS:HG3	2.18	0.44
1:B:153:GLU:CD	1:B:153:GLU:H	2.22	0.43
1:A:212:GLU:O	4:A:1314:HOH:O	2.21	0.42
1:A:55:LEU:HD21	1:B:241:TRP:CH2	2.55	0.42
1:B:304:MET:HG3	4:B:1395:HOH:O	2.19	0.42
1:B:282:ASP:OD2	1:B:284[B]:SER:HB2	2.20	0.41
1:B:38:GLU:CB	1:B:239:THR:HG21	2.50	0.41
1:A:136:THR:CG2	4:A:1438:HOH:O	2.68	0.41
1:B:90:ASP:CG	4:B:1407:HOH:O	2.58	0.41
1:B:140:VAL:HG22	1:B:158:LEU:CD1	2.50	0.41
1:A:147:ASN:OD1	1:A:309:VAL:CG1	2.69	0.41

Continued on next page...

Continued from previous page...

Atom-1	Atom-2	Interatomic distance (Å)	Clash overlap (Å)
1:B:173:ASN:HB3	3:B:1234:PLP:H2A1	2.03	0.41
1:A:243:VAL:HG11	1:A:275:ALA:HB2	2.03	0.40
1:A:125:SER:O	1:A:129:GLN:HG3	2.22	0.40

There are no symmetry-related clashes.

5.3 Torsion angles [i](#)

5.3.1 Protein backbone [i](#)

In the following table, the Percentiles column shows the percent Ramachandran outliers of the chain as a percentile score with respect to all X-ray entries followed by that with respect to entries of similar resolution.

The Analysed column shows the number of residues for which the backbone conformation was analysed, and the total number of residues.

Mol	Chain	Analysed	Favoured	Allowed	Outliers	Percentiles	
1	A	380/389 (98%)	371 (98%)	9 (2%)	0	100	100
1	B	387/389 (100%)	377 (97%)	10 (3%)	0	100	100
All	All	767/778 (99%)	748 (98%)	19 (2%)	0	100	100

There are no Ramachandran outliers to report.

5.3.2 Protein sidechains [i](#)

In the following table, the Percentiles column shows the percent sidechain outliers of the chain as a percentile score with respect to all X-ray entries followed by that with respect to entries of similar resolution.

The Analysed column shows the number of residues for which the sidechain conformation was analysed, and the total number of residues.

Mol	Chain	Analysed	Rotameric	Outliers	Percentiles	
1	A	327/341 (96%)	317 (97%)	10 (3%)	40	32
1	B	340/341 (100%)	324 (95%)	16 (5%)	26	16
All	All	667/682 (98%)	641 (96%)	26 (4%)	36	23

All (26) residues with a non-rotameric sidechain are listed below:

Mol	Chain	Res	Type
1	A	20[A]	LYS
1	A	20[B]	LYS
1	A	20[C]	LYS
1	A	138	ASN
1	A	194	ARG
1	A	206	SER
1	A	210	THR
1	A	214	THR
1	A	294	LYS
1	A	311	PRO
1	B	-7	LYS
1	B	5	ARG
1	B	13	LYS
1	B	14	THR
1	B	125	SER
1	B	182	GLU
1	B	187	LEU
1	B	192	LYS
1	B	206	SER
1	B	210	THR
1	B	212[A]	GLU
1	B	212[B]	GLU
1	B	294	LYS
1	B	300	ARG
1	B	352	VAL
1	B	365	GLU

Some sidechains can be flipped to improve hydrogen bonding and reduce clashes. All (1) such sidechains are listed below:

Mol	Chain	Res	Type
1	B	0	HIS

5.3.3 RNA [i](#)

There are no RNA molecules in this entry.

5.4 Non-standard residues in protein, DNA, RNA chains [i](#)

There are no non-standard protein/DNA/RNA residues in this entry.

5.5 Carbohydrates [i](#)

There are no carbohydrates in this entry.

5.6 Ligand geometry [i](#)

11 ligands are modelled in this entry.

In the following table, the Counts columns list the number of bonds (or angles) for which Mogul statistics could be retrieved, the number of bonds (or angles) that are observed in the model and the number of bonds (or angles) that are defined in the Chemical Component Dictionary. The Link column lists molecule types, if any, to which the group is linked. The Z score for a bond length (or angle) is the number of standard deviations the observed value is removed from the expected value. A bond length (or angle) with $|Z| > 2$ is considered an outlier worth inspection. RMSZ is the root-mean-square of all Z scores of the bond lengths (or angles).

Mol	Type	Chain	Res	Link	Bond lengths			Bond angles		
					Counts	RMSZ	# Z > 2	Counts	RMSZ	# Z > 2
2	SO4	B	710	-	4,4,4	0.24	0	6,6,6	0.41	0
2	SO4	A	709	-	4,4,4	0.17	0	6,6,6	0.94	0
2	SO4	A	702	-	4,4,4	0.26	0	6,6,6	1.55	2 (33%)
2	SO4	A	701	-	4,4,4	0.31	0	6,6,6	0.25	0
2	SO4	A	708	-	4,4,4	0.20	0	6,6,6	0.65	0
2	SO4	A	703	-	4,4,4	0.21	0	6,6,6	1.10	0
3	PLP	A	1234	1	15,15,16	2.16	5 (33%)	20,22,23	2.65	9 (45%)
3	PLP	B	1234	1	15,15,16	1.92	2 (13%)	20,22,23	2.63	7 (35%)
2	SO4	A	707	-	4,4,4	0.11	0	6,6,6	0.48	0
2	SO4	B	706	-	4,4,4	0.22	0	6,6,6	0.65	0
2	SO4	A	704	-	4,4,4	0.30	0	6,6,6	0.39	0

In the following table, the Chirals column lists the number of chiral outliers, the number of chiral centers analysed, the number of these observed in the model and the number defined in the Chemical Component Dictionary. Similar counts are reported in the Torsion and Rings columns. '-' means no outliers of that kind were identified.

Mol	Type	Chain	Res	Link	Chirals	Torsions	Rings
3	PLP	A	1234	1	-	3/6/6/8	0/1/1/1
3	PLP	B	1234	1	-	5/6/6/8	0/1/1/1

All (7) bond length outliers are listed below:

Mol	Chain	Res	Type	Atoms	Z	Observed(Å)	Ideal(Å)
3	B	1234	PLP	O3-C3	-6.02	1.23	1.37

Continued on next page...

Continued from previous page...

Mol	Chain	Res	Type	Atoms	Z	Observed(Å)	Ideal(Å)
3	A	1234	PLP	O3-C3	-5.91	1.23	1.37
3	A	1234	PLP	C2-N1	2.86	1.39	1.33
3	B	1234	PLP	C2-N1	2.48	1.38	1.33
3	A	1234	PLP	P-O2P	-2.34	1.45	1.54
3	A	1234	PLP	C3-C2	2.14	1.43	1.40
3	A	1234	PLP	C6-C5	2.08	1.42	1.37

All (18) bond angle outliers are listed below:

Mol	Chain	Res	Type	Atoms	Z	Observed(°)	Ideal(°)
3	B	1234	PLP	O4P-C5A-C5	7.92	124.45	109.35
3	A	1234	PLP	O4P-C5A-C5	6.89	122.47	109.35
3	A	1234	PLP	C6-C5-C4	5.58	122.55	118.16
3	B	1234	PLP	C6-C5-C4	4.34	121.58	118.16
3	B	1234	PLP	C5A-C5-C6	-4.12	112.60	119.37
3	A	1234	PLP	O4P-P-O1P	-3.05	97.92	106.47
3	A	1234	PLP	C3-C4-C5	-2.94	115.56	118.74
3	A	1234	PLP	C2A-C2-C3	2.83	124.38	120.89
3	B	1234	PLP	O3P-P-O4P	-2.72	99.49	106.73
3	A	1234	PLP	C4A-C4-C3	2.63	124.96	120.50
3	A	1234	PLP	C5A-C5-C6	-2.48	115.29	119.37
2	A	702	SO4	O4-S-O2	2.44	122.03	109.31
3	B	1234	PLP	C4A-C4-C5	2.36	123.37	120.94
3	A	1234	PLP	O2P-P-O1P	2.35	119.88	110.68
2	A	702	SO4	O3-S-O2	-2.32	97.19	109.31
3	A	1234	PLP	O3P-P-O4P	-2.30	100.61	106.73
3	B	1234	PLP	O3P-P-O2P	2.22	116.12	107.64
3	B	1234	PLP	O4P-P-O1P	-2.10	100.57	106.47

There are no chirality outliers.

All (8) torsion outliers are listed below:

Mol	Chain	Res	Type	Atoms
3	A	1234	PLP	C5A-O4P-P-O1P
3	A	1234	PLP	C5A-O4P-P-O2P
3	A	1234	PLP	C5A-O4P-P-O3P
3	B	1234	PLP	C4-C5-C5A-O4P
3	B	1234	PLP	C6-C5-C5A-O4P
3	B	1234	PLP	C5A-O4P-P-O2P
3	B	1234	PLP	C5A-O4P-P-O3P
3	B	1234	PLP	C5A-O4P-P-O1P

There are no ring outliers.

2 monomers are involved in 4 short contacts:

Mol	Chain	Res	Type	Clashes	Symm-Clashes
3	A	1234	PLP	2	0
3	B	1234	PLP	2	0

5.7 Other polymers [i](#)

There are no such residues in this entry.

5.8 Polymer linkage issues [i](#)

There are no chain breaks in this entry.

6 Fit of model and data

6.1 Protein, DNA and RNA chains

In the following table, the column labelled ‘#RSRZ> 2’ contains the number (and percentage) of RSRZ outliers, followed by percent RSRZ outliers for the chain as percentile scores relative to all X-ray entries and entries of similar resolution. The OWAB column contains the minimum, median, 95th percentile and maximum values of the occupancy-weighted average B-factor per residue. The column labelled ‘Q< 0.9’ lists the number of (and percentage) of residues with an average occupancy less than 0.9.

Mol	Chain	Analysed	<RSRZ>	#RSRZ>2	OWAB(Å ²)	Q<0.9
1	A	375/389 (96%)	0.35	13 (3%) 44 47	25, 32, 47, 57	0
1	B	384/389 (98%)	0.73	39 (10%) 6 8	26, 33, 50, 66	0
All	All	759/778 (97%)	0.54	52 (6%) 16 19	25, 32, 48, 66	0

All (52) RSRZ outliers are listed below:

Mol	Chain	Res	Type	RSRZ
1	B	373	PHE	6.1
1	B	374	LEU	5.9
1	B	375	ASN	4.7
1	B	376	SER	4.5
1	B	372	ASP	4.4
1	B	27	LYS	4.1
1	B	11	ILE	3.7
1	B	28	GLY	3.6
1	B	86	ASP	3.6
1	B	221	GLU	3.4
1	B	180	ARG	3.3
1	B	324	ASP	3.1
1	A	376	SER	3.1
1	B	161	GLY	3.1
1	B	212[A]	GLU	3.0
1	B	331	ARG	3.0
1	A	375	ASN	2.9
1	B	219	VAL	2.8
1	B	23	ALA	2.7
1	B	189	ARG	2.6
1	B	328	PHE	2.6
1	A	372	ASP	2.5
1	B	160	VAL	2.5
1	A	86	ASP	2.5

Continued on next page...

Continued from previous page...

Mol	Chain	Res	Type	RSRZ
1	B	323	GLY	2.5
1	B	195	ASN	2.4
1	B	335	GLU	2.4
1	B	327	LYS	2.4
1	B	19	ALA	2.4
1	A	103	PHE	2.3
1	A	303	LYS	2.3
1	B	238	MET	2.3
1	A	264	THR	2.3
1	B	240	GLY	2.3
1	B	263	THR	2.3
1	A	256	VAL	2.3
1	B	26	LYS	2.2
1	B	211	ASP	2.2
1	B	365	GLU	2.2
1	A	167	LEU	2.2
1	A	266	CYS	2.2
1	B	-6	ILE	2.1
1	B	29	GLU	2.1
1	B	182	GLU	2.1
1	B	371	GLU	2.1
1	A	130	ILE	2.1
1	B	264	THR	2.1
1	A	28	GLY	2.1
1	B	336	LYS	2.0
1	B	330	GLU	2.0
1	B	-5	HIS	2.0
1	A	270	VAL	2.0

6.2 Non-standard residues in protein, DNA, RNA chains [i](#)

There are no non-standard protein/DNA/RNA residues in this entry.

6.3 Carbohydrates [i](#)

There are no carbohydrates in this entry.

6.4 Ligands [i](#)

In the following table, the Atoms column lists the number of modelled atoms in the group and the number defined in the chemical component dictionary. The B-factors column lists the minimum,

median, 95th percentile and maximum values of B factors of atoms in the group. The column labelled 'Q< 0.9' lists the number of atoms with occupancy less than 0.9.

Mol	Type	Chain	Res	Atoms	RSCC	RSR	B-factors(\AA^2)	Q<0.9
2	SO4	B	710	5/5	0.92	0.25	65,65,68,70	0
2	SO4	A	707	5/5	0.95	0.19	61,62,63,65	0
2	SO4	A	709	5/5	0.96	0.19	56,59,61,63	0
2	SO4	A	704	5/5	0.96	0.12	43,45,48,50	0
2	SO4	B	706	5/5	0.97	0.09	49,52,55,56	0
3	PLP	B	1234	15/16	0.97	0.11	30,38,46,46	0
2	SO4	A	702	5/5	0.98	0.09	32,37,42,42	0
2	SO4	A	708	5/5	0.98	0.12	36,38,40,43	0
2	SO4	A	703	5/5	0.98	0.11	32,34,34,37	0
3	PLP	A	1234	15/16	0.98	0.12	31,37,45,46	0
2	SO4	A	701	5/5	0.99	0.17	31,32,34,35	0

6.5 Other polymers [i](#)

There are no such residues in this entry.