



Full wwPDB X-ray Structure Validation Report ⓘ

Dec 6, 2023 – 04:23 am GMT

PDB ID : 1UTC
Title : Clathrin terminal domain complexed with TLPWDLWTT
Authors : Miele, A.E.; Evans, P.R.; Owen, D.J.
Deposited on : 2003-12-08
Resolution : 2.30 Å(reported)

This is a Full wwPDB X-ray Structure Validation Report for a publicly released PDB entry.

We welcome your comments at validation@mail.wwpdb.org

A user guide is available at

<https://www.wwpdb.org/validation/2017/XrayValidationReportHelp>

with specific help available everywhere you see the ⓘ symbol.

The types of validation reports are described at

<http://www.wwpdb.org/validation/2017/FAQs#types>.

The following versions of software and data (see [references ⓘ](#)) were used in the production of this report:

MolProbity : 4.02b-467
Xtrriage (Phenix) : 1.13
EDS : 2.36
Percentile statistics : 20191225.v01 (using entries in the PDB archive December 25th 2019)
Refmac : 5.8.0158
CCP4 : 7.0.044 (Gargrove)
Ideal geometry (proteins) : Engh & Huber (2001)
Ideal geometry (DNA, RNA) : Parkinson et al. (1996)
Validation Pipeline (wwPDB-VP) : 2.36

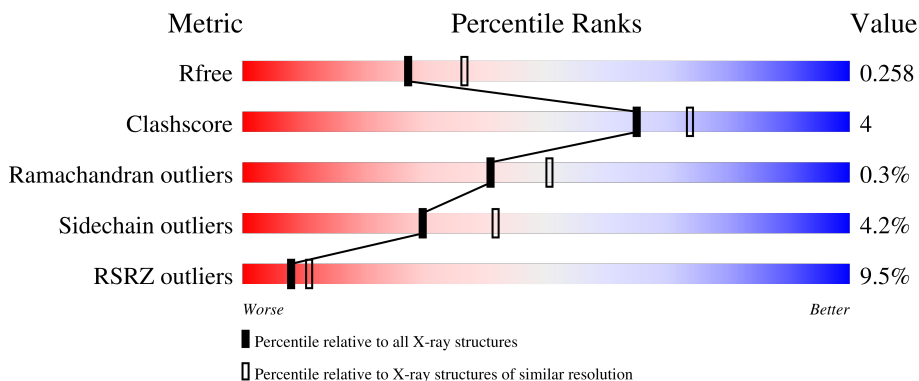
1 Overall quality at a glance

The following experimental techniques were used to determine the structure:

X-RAY DIFFRACTION

The reported resolution of this entry is 2.30 Å.

Percentile scores (ranging between 0-100) for global validation metrics of the entry are shown in the following graphic. The table shows the number of entries on which the scores are based.



Metric	Whole archive (#Entries)	Similar resolution (#Entries, resolution range(Å))
R_{free}	130704	5042 (2.30-2.30)
Clashscore	141614	5643 (2.30-2.30)
Ramachandran outliers	138981	5575 (2.30-2.30)
Sidechain outliers	138945	5575 (2.30-2.30)
RSRZ outliers	127900	4938 (2.30-2.30)

The table below summarises the geometric issues observed across the polymeric chains and their fit to the electron density. The red, orange, yellow and green segments of the lower bar indicate the fraction of residues that contain outliers for ≥ 3 , 2, 1 and 0 types of geometric quality criteria respectively. A grey segment represents the fraction of residues that are not modelled. The numeric value for each fraction is indicated below the corresponding segment, with a dot representing fractions $\leq 5\%$. The upper red bar (where present) indicates the fraction of residues that have poor fit to the electron density. The numeric value is given above the bar.

Mol	Chain	Length	Quality of chain
1	A	363	
1	B	363	
2	P	9	
2	Q	9	

2 Entry composition

There are 3 unique types of molecules in this entry. The entry contains 6006 atoms, of which 0 are hydrogens and 0 are deuteriums.

In the tables below, the ZeroOcc column contains the number of atoms modelled with zero occupancy, the AltConf column contains the number of residues with at least one atom in alternate conformation and the Trace column contains the number of residues modelled with at most 2 atoms.

- Molecule 1 is a protein called CLATHRIN HEAVY CHAIN.

Mol	Chain	Residues	Atoms					ZeroOcc	AltConf	Trace
			Total	C	N	O	S			
1	A	352	2754	1753	473	510	18	0	0	0
1	B	353	2763	1758	475	512	18	0	0	0

- Molecule 2 is a protein called AMPHIPHYSIN.

Mol	Chain	Residues	Atoms				ZeroOcc	AltConf	Trace
			Total	C	N	O			
2	P	7	66	47	9	10	0	0	0
2	Q	7	66	47	9	10	0	0	0

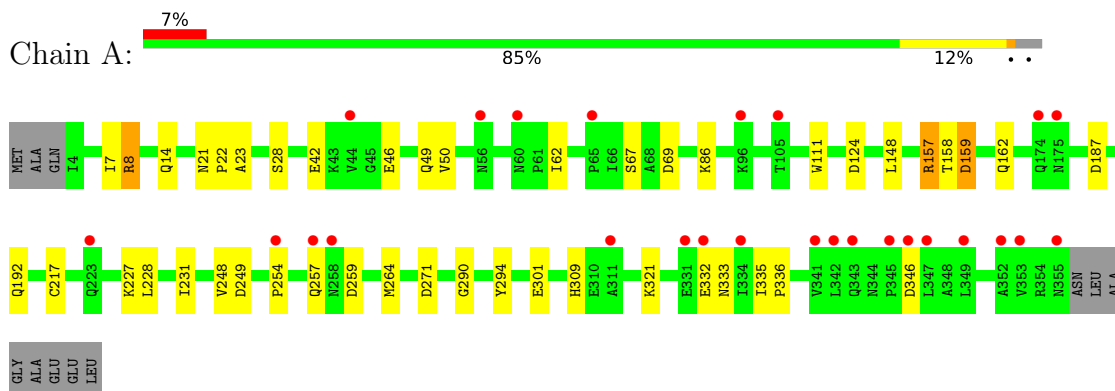
- Molecule 3 is water.

Mol	Chain	Residues	Atoms		ZeroOcc	AltConf
3	A	169	Total 169	O 169	0	0
3	B	182	Total 182	O 182	0	0
3	P	1	Total 1	O 1	0	0
3	Q	5	Total 5	O 5	0	0

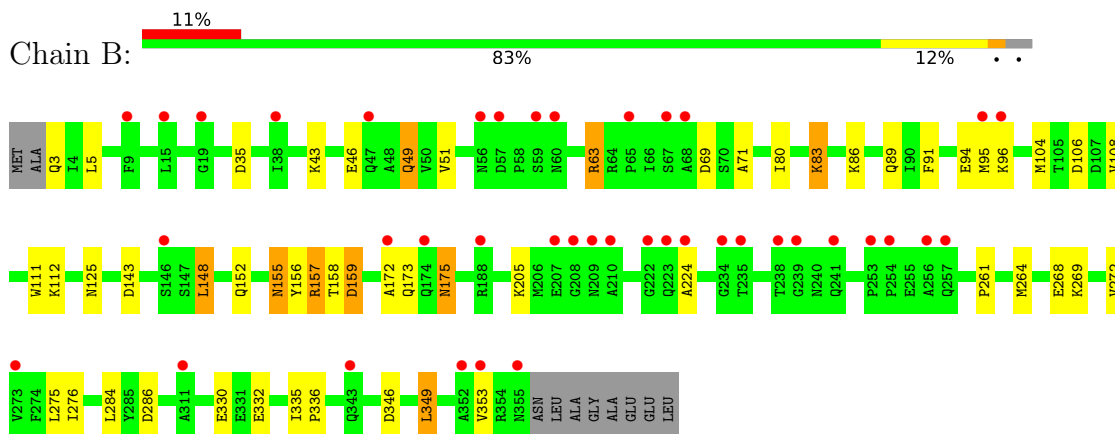
3 Residue-property plots [i](#)

These plots are drawn for all protein, RNA, DNA and oligosaccharide chains in the entry. The first graphic for a chain summarises the proportions of the various outlier classes displayed in the second graphic. The second graphic shows the sequence view annotated by issues in geometry and electron density. Residues are color-coded according to the number of geometric quality criteria for which they contain at least one outlier: green = 0, yellow = 1, orange = 2 and red = 3 or more. A red dot above a residue indicates a poor fit to the electron density ($RSRZ > 2$). Stretches of 2 or more consecutive residues without any outlier are shown as a green connector. Residues present in the sample, but not in the model, are shown in grey.

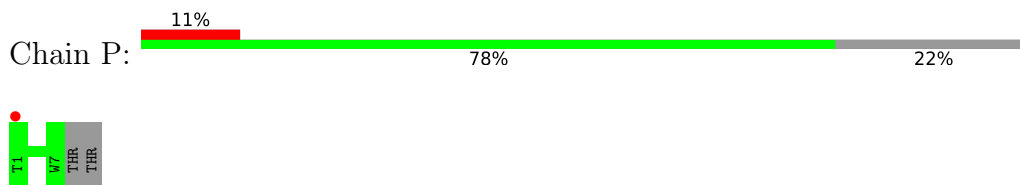
- Molecule 1: CLATHRIN HEAVY CHAIN



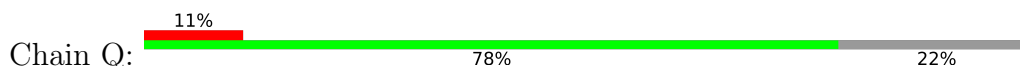
- Molecule 1: CLATHRIN HEAVY CHAIN



- Molecule 2: AMPHIPHYSIN



- Molecule 2: AMPHIPHYSIN





4 Data and refinement statistics

Property	Value	Source
Space group	P 41 21 2	Depositor
Cell constants a, b, c, α , β , γ	61.30Å 61.30Å 420.52Å 90.00° 90.00° 90.00°	Depositor
Resolution (Å)	105.41 – 2.30 24.94 – 2.30	Depositor EDS
% Data completeness (in resolution range)	99.2 (105.41-2.30) 99.4 (24.94-2.30)	Depositor EDS
R_{merge}	0.06	Depositor
R_{sym}	(Not available)	Depositor
$\langle I/\sigma(I) \rangle$ ¹	4.69 (at 2.31Å)	Xtrriage
Refinement program	REFMAC 5.1.9999	Depositor
R, R_{free}	0.194 , 0.253 0.201 , 0.258	Depositor DCC
R_{free} test set	1856 reflections (5.01%)	wwPDB-VP
Wilson B-factor (Å ²)	19.7	Xtrriage
Anisotropy	0.514	Xtrriage
Bulk solvent k_{sol} (e/Å ³), B_{sol} (Å ²)	0.41 , 72.8	EDS
L-test for twinning ²	$\langle L \rangle = 0.48$, $\langle L^2 \rangle = 0.31$	Xtrriage
Estimated twinning fraction	No twinning to report.	Xtrriage
F_o, F_c correlation	0.93	EDS
Total number of atoms	6006	wwPDB-VP
Average B, all atoms (Å ²)	23.0	wwPDB-VP

Xtrriage's analysis on translational NCS is as follows: *The largest off-origin peak in the Patterson function is 4.24% of the height of the origin peak. No significant pseudotranslation is detected.*

¹Intensities estimated from amplitudes.

²Theoretical values of $\langle |L| \rangle$, $\langle L^2 \rangle$ for acentric reflections are 0.5, 0.333 respectively for untwinned datasets, and 0.375, 0.2 for perfectly twinned datasets.

5 Model quality [i](#)

5.1 Standard geometry [i](#)

The Z score for a bond length (or angle) is the number of standard deviations the observed value is removed from the expected value. A bond length (or angle) with $|Z| > 5$ is considered an outlier worth inspection. RMSZ is the root-mean-square of all Z scores of the bond lengths (or angles).

Mol	Chain	Bond lengths		Bond angles	
		RMSZ	# Z >5	RMSZ	# Z >5
1	A	0.75	1/2812 (0.0%)	0.87	7/3813 (0.2%)
1	B	0.72	0/2821	0.88	10/3825 (0.3%)
2	P	0.75	0/70	0.90	0/98
2	Q	0.67	0/70	0.82	0/98
All	All	0.74	1/5773 (0.0%)	0.87	17/7834 (0.2%)

All (1) bond length outliers are listed below:

Mol	Chain	Res	Type	Atoms	Z	Observed(Å)	Ideal(Å)
1	A	42	GLU	CD-OE1	5.01	1.31	1.25

All (17) bond angle outliers are listed below:

Mol	Chain	Res	Type	Atoms	Z	Observed(°)	Ideal(°)
1	A	69	ASP	CB-CG-OD2	8.02	125.52	118.30
1	A	157	ARG	NE-CZ-NH2	-7.94	116.33	120.30
1	B	69	ASP	CB-CG-OD2	6.87	124.48	118.30
1	A	187	ASP	CB-CG-OD2	6.40	124.06	118.30
1	B	346	ASP	CB-CG-OD2	6.31	123.98	118.30
1	B	159	ASP	CB-CG-OD2	6.20	123.88	118.30
1	B	157	ARG	NE-CZ-NH2	-6.13	117.24	120.30
1	B	106	ASP	CB-CG-OD2	6.10	123.79	118.30
1	B	63	ARG	NE-CZ-NH2	-5.77	117.42	120.30
1	A	271	ASP	CB-CG-OD2	5.66	123.40	118.30
1	A	259	ASP	CB-CG-OD2	5.44	123.20	118.30
1	B	148	LEU	CA-CB-CG	5.37	127.65	115.30
1	B	143	ASP	CB-CG-OD2	5.30	123.07	118.30
1	B	286	ASP	CB-CG-OD2	5.28	123.05	118.30
1	A	159	ASP	CB-CG-OD2	5.18	122.96	118.30
1	B	35	ASP	CB-CG-OD1	5.17	122.95	118.30
1	A	346	ASP	CB-CG-OD2	5.09	122.89	118.30

There are no chirality outliers.

There are no planarity outliers.

5.2 Too-close contacts

In the following table, the Non-H and H(model) columns list the number of non-hydrogen atoms and hydrogen atoms in the chain respectively. The H(added) column lists the number of hydrogen atoms added and optimized by MolProbity. The Clashes column lists the number of clashes within the asymmetric unit, whereas Symm-Clashes lists symmetry-related clashes.

Mol	Chain	Non-H	H(model)	H(added)	Clashes	Symm-Clashes
1	A	2754	0	2766	19	0
1	B	2763	0	2774	27	0
2	P	66	0	62	0	0
2	Q	66	0	62	0	0
3	A	169	0	0	4	0
3	B	182	0	0	5	0
3	P	1	0	0	0	0
3	Q	5	0	0	0	0
All	All	6006	0	5664	46	0

The all-atom clashscore is defined as the number of clashes found per 1000 atoms (including hydrogen atoms). The all-atom clashscore for this structure is 4.

All (46) close contacts within the same asymmetric unit are listed below, sorted by their clash magnitude.

Atom-1	Atom-2	Interatomic distance (Å)	Clash overlap (Å)
1:A:227:LYS:NZ	1:A:249:ASP:OD1	2.10	0.84
1:B:332:GLU:OE2	3:B:2176:HOH:O	2.08	0.70
1:A:157:ARG:NH2	1:A:264:MET:O	2.25	0.70
1:B:89:GLN:HE21	1:B:91:PHE:HD1	1.42	0.68
1:A:335:ILE:HB	1:A:336:PRO:HD3	1.80	0.62
1:B:89:GLN:NE2	1:B:91:PHE:CD1	2.68	0.62
1:B:157:ARG:NH2	1:B:264:MET:O	2.33	0.61
1:B:272:VAL:CG1	1:B:284:LEU:HD12	2.31	0.60
1:B:155:ASN:HD22	1:B:156:TYR:H	1.49	0.58
1:B:158:THR:HG22	1:B:159:ASP:O	2.04	0.56
1:A:21:ASN:OD1	1:A:22:PRO:HD2	2.06	0.55
1:A:14:GLN:HB2	3:A:2006:HOH:O	2.06	0.55
1:A:158:THR:HG22	1:A:159:ASP:O	2.07	0.55
1:A:332:GLU:C	1:A:333:ASN:HD22	2.10	0.55
1:A:21:ASN:ND2	1:A:23:ALA:HB3	2.22	0.54
1:B:332:GLU:N	3:B:2173:HOH:O	2.34	0.52

Continued on next page...

Continued from previous page...

Atom-1	Atom-2	Interatomic distance (Å)	Clash overlap (Å)
1:A:158:THR:HG21	1:A:162:GLN:HG2	1.92	0.52
1:B:49:GLN:OE1	1:B:63:ARG:HD3	2.10	0.52
1:B:272:VAL:CG1	1:B:284:LEU:CD1	2.88	0.52
1:A:217:CYS:SG	1:A:228:LEU:HD11	2.51	0.50
1:B:335:ILE:HB	1:B:336:PRO:HD3	1.93	0.50
1:A:333:ASN:HD22	1:A:333:ASN:N	2.10	0.50
1:A:248:VAL:HG11	1:A:290:GLY:O	2.12	0.49
1:A:62:ILE:HD13	3:A:2045:HOH:O	2.12	0.49
1:B:51:VAL:HG22	1:B:63:ARG:HG2	1.96	0.48
1:B:349:LEU:HD22	1:B:353:VAL:HG23	1.95	0.48
1:A:86:LYS:HA	3:A:2047:HOH:O	2.14	0.47
1:B:172:ALA:O	1:B:173:GLN:HG3	2.14	0.47
1:B:272:VAL:HG13	1:B:284:LEU:HD12	1.97	0.47
1:A:7:ILE:HD11	1:A:294:TYR:CE2	2.50	0.46
1:A:254:PRO:O	1:A:257:GLN:HG2	2.14	0.46
1:B:43:LYS:HE3	1:B:46:GLU:HA	1.98	0.46
1:B:86:LYS:HB3	1:B:104:MET:O	2.15	0.46
1:B:272:VAL:HG11	1:B:284:LEU:HD12	1.98	0.44
1:A:8:ARG:HG3	3:A:2001:HOH:O	2.17	0.43
1:A:67:SER:O	1:A:67:SER:OG	2.35	0.43
1:B:155:ASN:HD22	1:B:156:TYR:N	2.16	0.42
1:B:112:LYS:HE3	3:B:2019:HOH:O	2.19	0.42
1:B:330:GLU:HG3	3:B:2173:HOH:O	2.19	0.42
1:B:268:GLU:HG3	3:B:2150:HOH:O	2.21	0.41
1:B:349:LEU:HD22	1:B:353:VAL:CG2	2.50	0.41
1:A:301:GLU:HG3	1:A:321:LYS:HG3	2.01	0.41
1:B:71:ALA:HB1	1:B:80:ILE:HD11	2.02	0.41
1:B:83:LYS:HE2	1:B:108:VAL:HB	2.03	0.41
1:B:261:PRO:HB3	1:B:275:LEU:HD11	2.04	0.40
1:B:95:MET:O	1:B:96:LYS:C	2.59	0.40

There are no symmetry-related clashes.

5.3 Torsion angles [i](#)

5.3.1 Protein backbone [i](#)

In the following table, the Percentiles column shows the percent Ramachandran outliers of the chain as a percentile score with respect to all X-ray entries followed by that with respect to entries of similar resolution.

The Analysed column shows the number of residues for which the backbone conformation was analysed, and the total number of residues.

Mol	Chain	Analysed	Favoured	Allowed	Outliers	Percentiles	
1	A	350/363 (96%)	341 (97%)	9 (3%)	0	100	100
1	B	351/363 (97%)	334 (95%)	15 (4%)	2 (1%)	25	31
2	P	5/9 (56%)	5 (100%)	0	0	100	100
2	Q	5/9 (56%)	5 (100%)	0	0	100	100
All	All	711/744 (96%)	685 (96%)	24 (3%)	2 (0%)	41	50

All (2) Ramachandran outliers are listed below:

Mol	Chain	Res	Type
1	B	175	ASN
1	B	224	ALA

5.3.2 Protein sidechains [i](#)

In the following table, the Percentiles column shows the percent sidechain outliers of the chain as a percentile score with respect to all X-ray entries followed by that with respect to entries of similar resolution.

The Analysed column shows the number of residues for which the sidechain conformation was analysed, and the total number of residues.

Mol	Chain	Analysed	Rotameric	Outliers	Percentiles	
1	A	303/310 (98%)	292 (96%)	11 (4%)	35	49
1	B	304/310 (98%)	289 (95%)	15 (5%)	25	35
2	P	7/9 (78%)	7 (100%)	0	100	100
2	Q	7/9 (78%)	7 (100%)	0	100	100
All	All	621/638 (97%)	595 (96%)	26 (4%)	30	42

All (26) residues with a non-rotameric sidechain are listed below:

Mol	Chain	Res	Type
1	A	8	ARG
1	A	28	SER
1	A	46	GLU
1	A	49	GLN
1	A	50	VAL
1	A	111	TRP

Continued on next page...

Continued from previous page...

Mol	Chain	Res	Type
1	A	124	ASP
1	A	148	LEU
1	A	192	GLN
1	A	231	ILE
1	A	309	HIS
1	B	3	GLN
1	B	5	LEU
1	B	49	GLN
1	B	83	LYS
1	B	94	GLU
1	B	111	TRP
1	B	125	ASN
1	B	148	LEU
1	B	152	GLN
1	B	155	ASN
1	B	175	ASN
1	B	205	LYS
1	B	269	LYS
1	B	276	ILE
1	B	349	LEU

Sometimes sidechains can be flipped to improve hydrogen bonding and reduce clashes. All (6) such sidechains are listed below:

Mol	Chain	Res	Type
1	A	16	GLN
1	A	17	ASN
1	A	333	ASN
1	B	89	GLN
1	B	155	ASN
1	B	270	HIS

5.3.3 RNA [i](#)

There are no RNA molecules in this entry.

5.4 Non-standard residues in protein, DNA, RNA chains [i](#)

There are no non-standard protein/DNA/RNA residues in this entry.

5.5 Carbohydrates [i](#)

There are no monosaccharides in this entry.

5.6 Ligand geometry [i](#)

There are no ligands in this entry.

5.7 Other polymers [i](#)

There are no such residues in this entry.

5.8 Polymer linkage issues [i](#)

There are no chain breaks in this entry.

6 Fit of model and data

6.1 Protein, DNA and RNA chains

In the following table, the column labelled ‘#RSRZ > 2’ contains the number (and percentage) of RSRZ outliers, followed by percent RSRZ outliers for the chain as percentile scores relative to all X-ray entries and entries of similar resolution. The OWAB column contains the minimum, median, 95th percentile and maximum values of the occupancy-weighted average B-factor per residue. The column labelled ‘Q < 0.9’ lists the number of (and percentage) of residues with an average occupancy less than 0.9.

Mol	Chain	Analysed	<RSRZ>	#RSRZ>2	OWAB(Å ²)	Q<0.9
1	A	352/363 (96%)	0.47	26 (7%) 14 19	7, 20, 42, 56	0
1	B	353/363 (97%)	0.62	40 (11%) 5 7	7, 23, 40, 48	0
2	P	7/9 (77%)	0.99	1 (14%) 2 3	15, 16, 24, 29	0
2	Q	7/9 (77%)	0.74	1 (14%) 2 3	20, 23, 27, 32	0
All	All	719/744 (96%)	0.55	68 (9%) 8 11	7, 22, 40, 56	0

All (68) RSRZ outliers are listed below:

Mol	Chain	Res	Type	RSRZ
1	B	174	GLN	7.8
1	A	353	VAL	7.0
2	P	1	THR	5.9
1	B	224	ALA	5.8
1	A	349	LEU	5.6
1	B	223	GLN	5.1
1	A	257	GLN	4.9
1	B	60	ASN	4.8
1	B	210	ALA	4.4
1	B	208	GLY	4.3
1	A	223	GLN	4.3
1	B	67	SER	4.2
1	A	311	ALA	4.1
1	A	175	ASN	3.8
1	B	9	PHE	3.8
1	A	254	PRO	3.7
1	B	96	LYS	3.5
1	B	95	MET	3.4
1	B	172	ALA	3.4
1	A	346	ASP	3.4
1	B	238	THR	3.3

Continued on next page...

Continued from previous page...

Mol	Chain	Res	Type	RSRZ
1	A	355	ASN	3.3
1	B	257	GLN	3.2
1	A	352	ALA	3.2
1	A	65	PRO	3.2
2	Q	1	THR	3.2
1	B	65	PRO	3.2
1	B	207	GLU	3.1
1	A	96	LYS	3.0
1	A	105	THR	3.0
1	A	345	PRO	2.9
1	B	353	VAL	2.9
1	B	209	ASN	2.9
1	B	355	ASN	2.9
1	B	222	GLY	2.9
1	A	347	LEU	2.8
1	B	352	ALA	2.8
1	B	57	ASP	2.8
1	B	254	PRO	2.8
1	A	56	ASN	2.7
1	A	341	VAL	2.7
1	B	56	ASN	2.6
1	B	239	GLY	2.6
1	A	174	GLN	2.6
1	A	342	LEU	2.6
1	B	15	LEU	2.6
1	B	68	ALA	2.5
1	A	331	GLU	2.5
1	B	188	ARG	2.5
1	B	19	GLY	2.5
1	A	332	GLU	2.4
1	A	44	VAL	2.4
1	B	38	ILE	2.4
1	B	241	GLN	2.4
1	B	59	SER	2.4
1	B	273	VAL	2.3
1	B	256	ALA	2.3
1	A	258	ASN	2.2
1	A	60	ASN	2.2
1	B	343	GLN	2.2
1	B	235	THR	2.2
1	A	343	GLN	2.2
1	B	253	PRO	2.2

Continued on next page...

Continued from previous page...

Mol	Chain	Res	Type	RSRZ
1	B	146	SER	2.2
1	A	334	ILE	2.1
1	B	47	GLN	2.1
1	B	311	ALA	2.0
1	B	234	GLY	2.0

6.2 Non-standard residues in protein, DNA, RNA chains [i](#)

There are no non-standard protein/DNA/RNA residues in this entry.

6.3 Carbohydrates [i](#)

There are no monosaccharides in this entry.

6.4 Ligands [i](#)

There are no ligands in this entry.

6.5 Other polymers [i](#)

There are no such residues in this entry.