



Full wwPDB X-ray Structure Validation Report ⓘ

Nov 5, 2023 – 10:36 pm GMT

PDB ID : 2WBP
Title : Crystal structure of VioC in complex with Fe(II), (2S,3S)- hydroxyarginine, and succinate
Authors : Helmetag, V.; Samel, S.A.; Thomas, M.G.; Marahiel, M.A.; Essen, L.-O.
Deposited on : 2009-03-02
Resolution : 1.16 Å(reported)

This is a Full wwPDB X-ray Structure Validation Report for a publicly released PDB entry.

We welcome your comments at validation@mail.wwpdb.org

A user guide is available at

<https://www.wwpdb.org/validation/2017/XrayValidationReportHelp>

with specific help available everywhere you see the ⓘ symbol.

The types of validation reports are described at

<http://www.wwpdb.org/validation/2017/FAQs#types>.

The following versions of software and data (see [references ⓘ](#)) were used in the production of this report:

MolProbity : 4.02b-467
Mogul : 1.8.4, CSD as541be (2020)
Xtriage (Phenix) : 1.13
EDS : 2.36
Percentile statistics : 20191225.v01 (using entries in the PDB archive December 25th 2019)
Refmac : 5.8.0158
CCP4 : 7.0.044 (Gargrove)
Ideal geometry (proteins) : Engh & Huber (2001)
Ideal geometry (DNA, RNA) : Parkinson et al. (1996)
Validation Pipeline (wwPDB-VP) : 2.36

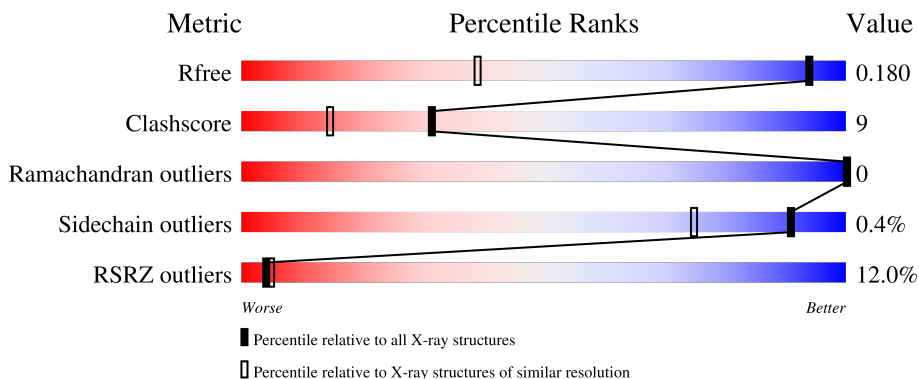
1 Overall quality at a glance

The following experimental techniques were used to determine the structure:

X-RAY DIFFRACTION

The reported resolution of this entry is 1.16 Å.

Percentile scores (ranging between 0-100) for global validation metrics of the entry are shown in the following graphic. The table shows the number of entries on which the scores are based.



Metric	Whole archive (#Entries)	Similar resolution (#Entries, resolution range(Å))
R_{free}	130704	1758 (1.20-1.12)
Clashscore	141614	1832 (1.20-1.12)
Ramachandran outliers	138981	1768 (1.20-1.12)
Sidechain outliers	138945	1768 (1.20-1.12)
RSRZ outliers	127900	1724 (1.20-1.12)

The table below summarises the geometric issues observed across the polymeric chains and their fit to the electron density. The red, orange, yellow and green segments of the lower bar indicate the fraction of residues that contain outliers for ≥ 3 , 2, 1 and 0 types of geometric quality criteria respectively. A grey segment represents the fraction of residues that are not modelled. The numeric value for each fraction is indicated below the corresponding segment, with a dot representing fractions $\leq 5\%$. The upper red bar (where present) indicates the fraction of residues that have poor fit to the electron density. The numeric value is given above the bar.

Mol	Chain	Length	Quality of chain
1	A	358	

2 Entry composition [i](#)

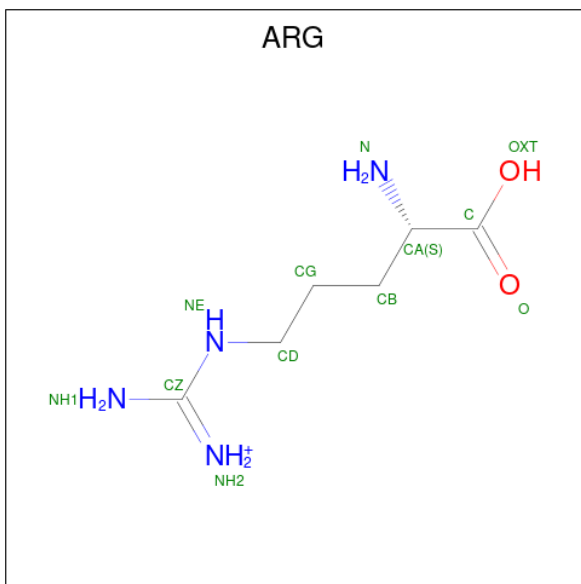
There are 7 unique types of molecules in this entry. The entry contains 3171 atoms, of which 0 are hydrogens and 0 are deuteriums.

In the tables below, the ZeroOcc column contains the number of atoms modelled with zero occupancy, the AltConf column contains the number of residues with at least one atom in alternate conformation and the Trace column contains the number of residues modelled with at most 2 atoms.

- Molecule 1 is a protein called L-ARGININE BETA-HYDROXYLASE.

Mol	Chain	Residues	Atoms					ZeroOcc	AltConf	Trace
			Total	C	N	O	S			
1	A	333	2744	1726	515	498	5	1	23	1

- Molecule 2 is ARGinine (three-letter code: ARG) (formula: C₆H₁₅N₄O₂).



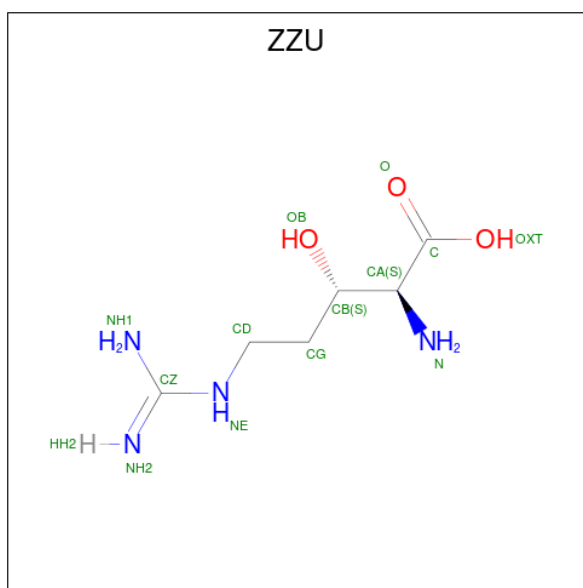
Mol	Chain	Residues	Atoms				ZeroOcc	AltConf
			Total	C	N	O		
2	A	1	12	6	4	2	0	0

- Molecule 3 is FE (II) ION (three-letter code: FE2) (formula: Fe).

Mol	Chain	Residues	Atoms	ZeroOcc	AltConf
3	A	1	Total 1 Fe 1	0	0

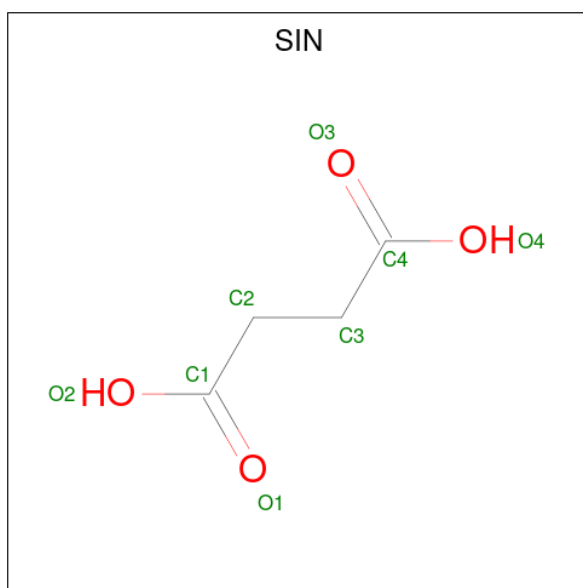
- Molecule 4 is (2S,3S)-3-HYDROXYARGININE (three-letter code: ZZU) (formula:

$C_6H_{14}N_4O_3$).



Mol	Chain	Residues	Atoms			ZeroOcc	AltConf	
			Total	C	N			O
4	A	1	13	6	4	3	0	0

- Molecule 5 is SUCCINIC ACID (three-letter code: SIN) (formula: $C_4H_6O_4$).



Mol	Chain	Residues	Atoms			ZeroOcc	AltConf
			Total	C	O		
5	A	1	8	4	4	0	0

- Molecule 6 is GLYCEROL (three-letter code: GOL) (formula: $C_3H_8O_3$).



Mol	Chain	Residues	Atoms			ZeroOcc	AltConf
6	A	1	Total	C	O	0	0
			6	3	3		

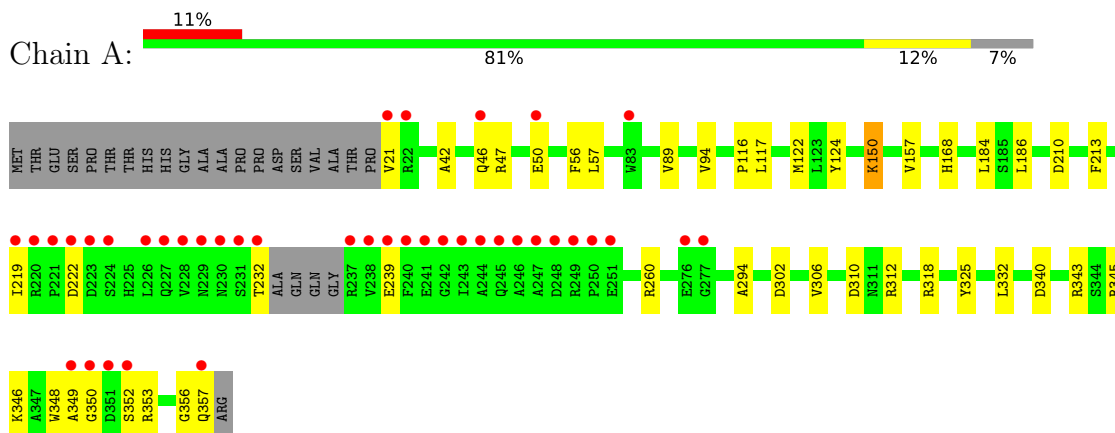
- Molecule 7 is water.

Mol	Chain	Residues	Atoms		ZeroOcc	AltConf
7	A	387	Total	O	0	0
			387	387		

3 Residue-property plots [i](#)

These plots are drawn for all protein, RNA, DNA and oligosaccharide chains in the entry. The first graphic for a chain summarises the proportions of the various outlier classes displayed in the second graphic. The second graphic shows the sequence view annotated by issues in geometry and electron density. Residues are color-coded according to the number of geometric quality criteria for which they contain at least one outlier: green = 0, yellow = 1, orange = 2 and red = 3 or more. A red dot above a residue indicates a poor fit to the electron density ($RSRZ > 2$). Stretches of 2 or more consecutive residues without any outlier are shown as a green connector. Residues present in the sample, but not in the model, are shown in grey.

- Molecule 1: L-ARGININE BETA-HYDROXYLASE



4 Data and refinement statistics

Property	Value	Source
Space group	C 1 2 1	Depositor
Cell constants a, b, c, α , β , γ	80.77Å 66.93Å 62.90Å 90.00° 109.16° 90.00°	Depositor
Resolution (Å)	19.96 – 1.16 19.96 – 1.16	Depositor EDS
% Data completeness (in resolution range)	91.3 (19.96-1.16) 91.3 (19.96-1.16)	Depositor EDS
R_{merge}	0.06	Depositor
R_{sym}	(Not available)	Depositor
$\langle I/\sigma(I) \rangle$ ¹	1.52 (at 1.16Å)	Xtrriage
Refinement program	REFMAC 5.2.0019	Depositor
R, R_{free}	0.132 , 0.171 0.147 , 0.180	Depositor DCC
R_{free} test set	1791 reflections (1.80%)	wwPDB-VP
Wilson B-factor (Å ²)	11.2	Xtrriage
Anisotropy	0.106	Xtrriage
Bulk solvent k_{sol} (e/Å ³), B_{sol} (Å ²)	0.42 , 55.8	EDS
L-test for twinning ²	$\langle L \rangle = 0.49$, $\langle L^2 \rangle = 0.32$	Xtrriage
Estimated twinning fraction	No twinning to report.	Xtrriage
F_o, F_c correlation	0.98	EDS
Total number of atoms	3171	wwPDB-VP
Average B, all atoms (Å ²)	18.0	wwPDB-VP

Xtrriage's analysis on translational NCS is as follows: *The largest off-origin peak in the Patterson function is 6.52% of the height of the origin peak. No significant pseudotranslation is detected.*

¹Intensities estimated from amplitudes.

²Theoretical values of $\langle |L| \rangle$, $\langle L^2 \rangle$ for acentric reflections are 0.5, 0.333 respectively for untwinned datasets, and 0.375, 0.2 for perfectly twinned datasets.

5 Model quality [i](#)

5.1 Standard geometry [i](#)

Bond lengths and bond angles in the following residue types are not validated in this section: SIN, FE2, ZZU, GOL

The Z score for a bond length (or angle) is the number of standard deviations the observed value is removed from the expected value. A bond length (or angle) with $|Z| > 5$ is considered an outlier worth inspection. RMSZ is the root-mean-square of all Z scores of the bond lengths (or angles).

Mol	Chain	Bond lengths		Bond angles	
		RMSZ	$\# Z > 5$	RMSZ	$\# Z > 5$
1	A	0.55	2/2857 (0.1%)	0.66	2/3880 (0.1%)

Chiral center outliers are detected by calculating the chiral volume of a chiral center and verifying if the center is modelled as a planar moiety or with the opposite hand. A planarity outlier is detected by checking planarity of atoms in a peptide group, atoms in a mainchain group or atoms of a sidechain that are expected to be planar.

Mol	Chain	#Chirality outliers	#Planarity outliers
1	A	0	2

All (2) bond length outliers are listed below:

Mol	Chain	Res	Type	Atoms	Z	Observed(Å)	Ideal(Å)
1	A	150[A]	LYS	CE-NZ	7.70	1.68	1.49
1	A	150[B]	LYS	CE-NZ	7.70	1.68	1.49

All (2) bond angle outliers are listed below:

Mol	Chain	Res	Type	Atoms	Z	Observed(°)	Ideal(°)
1	A	318	ARG	NE-CZ-NH1	6.46	123.53	120.30
1	A	318	ARG	NE-CZ-NH2	-5.13	117.73	120.30

There are no chirality outliers.

All (2) planarity outliers are listed below:

Mol	Chain	Res	Type	Group
1	A	350	GLY	Peptide

5.2 Too-close contacts

In the following table, the Non-H and H(model) columns list the number of non-hydrogen atoms and hydrogen atoms in the chain respectively. The H(added) column lists the number of hydrogen atoms added and optimized by MolProbity. The Clashes column lists the number of clashes within the asymmetric unit, whereas Symm-Clashes lists symmetry-related clashes.

Mol	Chain	Non-H	H(model)	H(added)	Clashes	Symm-Clashes
1	A	2744	0	2731	49	0
2	A	12	0	12	2	0
3	A	1	0	0	0	0
4	A	13	0	12	3	0
5	A	8	0	4	0	0
6	A	6	0	8	0	0
7	A	387	0	0	16	2
All	All	3171	0	2767	50	2

The all-atom clashscore is defined as the number of clashes found per 1000 atoms (including hydrogen atoms). The all-atom clashscore for this structure is 9.

All (50) close contacts within the same asymmetric unit are listed below, sorted by their clash magnitude.

Atom-1	Atom-2	Interatomic distance (Å)	Clash overlap (Å)
1:A:349:ALA:HB2	1:A:356[B]:GLY:O	1.43	1.14
1:A:57:LEU:HD23	1:A:122[A]:MET:CE	2.01	0.89
1:A:239:GLU:HG2	1:A:356[B]:GLY:O	1.74	0.87
1:A:349:ALA:CB	1:A:356[B]:GLY:O	2.22	0.87
1:A:343[A]:ARG:NH2	7:A:2371:HOH:O	2.09	0.84
1:A:57:LEU:HD23	1:A:122[A]:MET:HE1	1.60	0.81
1:A:239:GLU:CG	1:A:356[B]:GLY:O	2.28	0.81
1:A:294:ALA:O	7:A:2327:HOH:O	1.99	0.80
1:A:184[B]:LEU:HD13	1:A:306:VAL:HG22	1.64	0.78
1:A:357[A]:GLN:N	7:A:2383:HOH:O	2.22	0.73
1:A:150[A]:LYS:NZ	1:A:150[A]:LYS:CD	2.56	0.68
1:A:57:LEU:HD23	1:A:122[A]:MET:HE2	1.76	0.68
1:A:219:ILE:HG23	1:A:219:ILE:O	1.98	0.62
1:A:94:VAL:O	7:A:2124:HOH:O	2.16	0.60
1:A:50:GLU:HB2	7:A:2051:HOH:O	2.02	0.59
1:A:117:LEU:HD13	1:A:186:LEU:CD2	2.33	0.58
1:A:210:ASP:OD1	7:A:2258:HOH:O	2.17	0.58
1:A:345[B]:ARG:HA	1:A:348:TRP:CD1	2.40	0.56
1:A:340:ASP:HB3	1:A:343[B]:ARG:HG3	1.86	0.56
1:A:239:GLU:HG3	1:A:356[B]:GLY:C	2.26	0.56

Continued on next page...

Continued from previous page...

Atom-1	Atom-2	Interatomic distance (Å)	Clash overlap (Å)
1:A:116:PRO:HD2	7:A:2156:HOH:O	2.07	0.55
1:A:168[B]:HIS:CE1	4:A:1359:ZZU:HG2C	2.42	0.55
1:A:232:THR:CG2	7:A:2278:HOH:O	2.55	0.54
1:A:239:GLU:HG3	1:A:356[B]:GLY:O	2.07	0.53
1:A:239:GLU:CG	1:A:356[B]:GLY:C	2.77	0.53
1:A:47:ARG:O	2:A:1361:ARG:N	2.42	0.53
1:A:213:PHE:CE2	1:A:260:ARG:HD3	2.45	0.52
1:A:184[B]:LEU:HD13	1:A:306:VAL:CG2	2.37	0.52
1:A:57:LEU:HD13	1:A:353:ARG:HG3	1.91	0.51
1:A:210:ASP:CB	7:A:2259:HOH:O	2.58	0.51
1:A:222:ASP:HB2	4:A:1359:ZZU:HD2C	1.94	0.50
1:A:210:ASP:CG	7:A:2259:HOH:O	2.50	0.49
1:A:184[B]:LEU:CD1	1:A:306:VAL:HG22	2.40	0.49
1:A:302[A]:ASP:OD1	7:A:2342:HOH:O	2.20	0.48
1:A:89:VAL:HG11	1:A:124[B]:TYR:HE1	1.77	0.48
1:A:346:LYS:NZ	7:A:2378:HOH:O	2.45	0.48
1:A:310:ASP:OD1	1:A:312[B]:ARG:NH1	2.47	0.47
1:A:349:ALA:HB2	1:A:356[B]:GLY:C	2.27	0.47
2:A:1361:ARG:O	2:A:1361:ARG:HD3	2.16	0.46
1:A:42:ALA:O	1:A:46:GLN:HG3	2.16	0.46
1:A:21:VAL:HG22	7:A:2002:HOH:O	2.16	0.45
1:A:348:TRP:CG	1:A:352:SER:HA	2.52	0.44
1:A:56:PHE:CE2	1:A:122[A]:MET:HG2	2.53	0.43
1:A:150[B]:LYS:HG3	1:A:325:TYR:CE2	2.55	0.42
1:A:219:ILE:O	1:A:219:ILE:CG2	2.67	0.42
1:A:232:THR:HG21	7:A:2278:HOH:O	2.20	0.40
1:A:232:THR:HG23	7:A:2278:HOH:O	2.21	0.40
1:A:260:ARG:HG2	7:A:2292:HOH:O	2.21	0.40
1:A:157:VAL:HA	4:A:1359:ZZU:O	2.21	0.40

All (2) symmetry-related close contacts are listed below. The label for Atom-2 includes the symmetry operator and encoded unit-cell translations to be applied.

Atom-1	Atom-2	Interatomic distance (Å)	Clash overlap (Å)
7:A:2132:HOH:O	7:A:2245:HOH:O[3_545]	2.11	0.09
7:A:2189:HOH:O	7:A:2316:HOH:O[4_546]	2.18	0.02

5.3 Torsion angles [i](#)

5.3.1 Protein backbone [i](#)

In the following table, the Percentiles column shows the percent Ramachandran outliers of the chain as a percentile score with respect to all X-ray entries followed by that with respect to entries of similar resolution.

The Analysed column shows the number of residues for which the backbone conformation was analysed, and the total number of residues.

Mol	Chain	Analysed	Favoured	Allowed	Outliers	Percentiles	
1	A	352/358 (98%)	343 (97%)	9 (3%)	0	100	100

There are no Ramachandran outliers to report.

5.3.2 Protein sidechains [i](#)

In the following table, the Percentiles column shows the percent sidechain outliers of the chain as a percentile score with respect to all X-ray entries followed by that with respect to entries of similar resolution.

The Analysed column shows the number of residues for which the sidechain conformation was analysed, and the total number of residues.

Mol	Chain	Analysed	Rotameric	Outliers	Percentiles	
1	A	286/285 (100%)	286 (100%)	0	100	100

There are no protein residues with a non-rotameric sidechain to report.

Sometimes sidechains can be flipped to improve hydrogen bonding and reduce clashes. All (1) such sidechains are listed below:

Mol	Chain	Res	Type
1	A	342	HIS

5.3.3 RNA [i](#)

There are no RNA molecules in this entry.

5.4 Non-standard residues in protein, DNA, RNA chains [i](#)

There are no non-standard protein/DNA/RNA residues in this entry.

5.5 Carbohydrates [i](#)

There are no monosaccharides in this entry.

5.6 Ligand geometry [i](#)

Of 5 ligands modelled in this entry, 1 is monoatomic - leaving 4 for Mogul analysis.

In the following table, the Counts columns list the number of bonds (or angles) for which Mogul statistics could be retrieved, the number of bonds (or angles) that are observed in the model and the number of bonds (or angles) that are defined in the Chemical Component Dictionary. The Link column lists molecule types, if any, to which the group is linked. The Z score for a bond length (or angle) is the number of standard deviations the observed value is removed from the expected value. A bond length (or angle) with $|Z| > 2$ is considered an outlier worth inspection. RMSZ is the root-mean-square of all Z scores of the bond lengths (or angles).

Mol	Type	Chain	Res	Link	Bond lengths			Bond angles		
					Counts	RMSZ	# Z > 2	Counts	RMSZ	# Z > 2
5	SIN	A	1360	3	7,7,7	1.29	1 (14%)	8,8,8	2.97	3 (37%)
2	ARG	A	1361	-	10,11,11	0.70	1 (10%)	11,13,13	1.11	2 (18%)
6	GOL	A	1362	-	5,5,5	0.45	0	5,5,5	0.48	0
4	ZZU	A	1359	-	10,12,12	1.04	1 (10%)	9,15,15	1.83	2 (22%)

In the following table, the Chirals column lists the number of chiral outliers, the number of chiral centers analysed, the number of these observed in the model and the number defined in the Chemical Component Dictionary. Similar counts are reported in the Torsion and Rings columns. '2' means no outliers of that kind were identified.

Mol	Type	Chain	Res	Link	Chirals	Torsions	Rings
5	SIN	A	1360	3	-	2/5/5/5	-
2	ARG	A	1361	-	-	5/11/11/11	-
6	GOL	A	1362	-	-	1/4/4/4	-
4	ZZU	A	1359	-	-	4/14/14/14	-

All (3) bond length outliers are listed below:

Mol	Chain	Res	Type	Atoms	Z	Observed(Å)	Ideal(Å)
5	A	1360	SIN	C2-C1	2.17	1.55	1.50
2	A	1361	ARG	OXT-C	-2.09	1.23	1.30
4	A	1359	ZZU	CG-CB	2.00	1.56	1.52

All (7) bond angle outliers are listed below:

Mol	Chain	Res	Type	Atoms	Z	Observed(°)	Ideal(°)
5	A	1360	SIN	O2-C1-O1	-6.27	107.66	123.30
5	A	1360	SIN	O2-C1-C2	3.91	126.58	114.03
4	A	1359	ZZU	CG-CD-NE	3.74	122.68	111.87
2	A	1361	ARG	OXT-C-O	-2.83	117.66	124.09
5	A	1360	SIN	O4-C4-C3	2.83	123.13	114.03
4	A	1359	ZZU	OXT-C-CA	2.32	122.35	114.22
2	A	1361	ARG	OXT-C-CA	2.29	121.18	113.38

There are no chirality outliers.

All (12) torsion outliers are listed below:

Mol	Chain	Res	Type	Atoms
2	A	1361	ARG	N-CA-CB-CG
4	A	1359	ZZU	CA-CB-CG-CD
4	A	1359	ZZU	NE-CD-CG-CB
4	A	1359	ZZU	CG-CD-NE-CZ
2	A	1361	ARG	CA-CB-CG-CD
2	A	1361	ARG	C-CA-CB-CG
2	A	1361	ARG	OXT-C-CA-CB
2	A	1361	ARG	O-C-CA-CB
4	A	1359	ZZU	OB-CB-CG-CD
5	A	1360	SIN	O2-C1-C2-C3
5	A	1360	SIN	O1-C1-C2-C3
6	A	1362	GOL	C1-C2-C3-O3

There are no ring outliers.

2 monomers are involved in 5 short contacts:

Mol	Chain	Res	Type	Clashes	Symm-Clashes
2	A	1361	ARG	2	0
4	A	1359	ZZU	3	0

5.7 Other polymers [i](#)

There are no such residues in this entry.

5.8 Polymer linkage issues [i](#)

There are no chain breaks in this entry.

6 Fit of model and data

6.1 Protein, DNA and RNA chains

In the following table, the column labelled ‘#RSRZ> 2’ contains the number (and percentage) of RSRZ outliers, followed by percent RSRZ outliers for the chain as percentile scores relative to all X-ray entries and entries of similar resolution. The OWAB column contains the minimum, median, 95th percentile and maximum values of the occupancy-weighted average B-factor per residue. The column labelled ‘Q< 0.9’ lists the number of (and percentage) of residues with an average occupancy less than 0.9.

Mol	Chain	Analysed	<RSRZ>	#RSRZ>2	OWAB(Å ²)	Q<0.9
1	A	333/358 (93%)	0.70	40 (12%) 4 5	8, 13, 33, 61	23 (6%)

All (40) RSRZ outliers are listed below:

Mol	Chain	Res	Type	RSRZ
1	A	21	VAL	14.8
1	A	232	THR	9.6
1	A	350	GLY	8.8
1	A	249	ARG	7.8
1	A	247	ALA	7.7
1	A	240	PHE	7.2
1	A	228	VAL	7.2
1	A	248	ASP	7.1
1	A	242	GLY	6.9
1	A	226	LEU	6.5
1	A	238	VAL	6.0
1	A	349	ALA	5.6
1	A	245	GLN	5.1
1	A	243	ILE	5.1
1	A	227	GLN	4.9
1	A	237	ARG	4.5
1	A	246	ALA	4.5
1	A	244	ALA	3.9
1	A	223	ASP	3.8
1	A	239	GLU	3.8
1	A	230	ASN	3.7
1	A	231	SER	3.6
1	A	351[A]	ASP	3.3
1	A	46	GLN	3.3
1	A	251	GLU	3.3
1	A	219	ILE	3.3
1	A	220	ARG	3.3

Continued on next page...

Continued from previous page...

Mol	Chain	Res	Type	RSRZ
1	A	241	GLU	3.2
1	A	83	TRP	2.9
1	A	22	ARG	2.8
1	A	221	PRO	2.7
1	A	250	PRO	2.7
1	A	277	GLY	2.6
1	A	352	SER	2.5
1	A	357[A]	GLN	2.5
1	A	276	GLU	2.4
1	A	222	ASP	2.4
1	A	50	GLU	2.3
1	A	229	ASN	2.1
1	A	224	SER	2.0

6.2 Non-standard residues in protein, DNA, RNA chains [i](#)

There are no non-standard protein/DNA/RNA residues in this entry.

6.3 Carbohydrates [i](#)

There are no monosaccharides in this entry.

6.4 Ligands [i](#)

In the following table, the Atoms column lists the number of modelled atoms in the group and the number defined in the chemical component dictionary. The B-factors column lists the minimum, median, 95th percentile and maximum values of B factors of atoms in the group. The column labelled 'Q< 0.9' lists the number of atoms with occupancy less than 0.9.

Mol	Type	Chain	Res	Atoms	RSCC	RSR	B-factors(\AA^2)	Q<0.9
2	ARG	A	1361	12/12	0.80	0.30	19,26,53,54	12
4	ZZU	A	1359	13/13	0.84	0.21	16,23,36,44	13
6	GOL	A	1362	6/6	0.88	0.27	20,23,33,34	0
5	SIN	A	1360	8/8	0.96	0.10	7,11,19,21	8
3	FE2	A	1358	1/1	0.99	0.07	12,12,12,12	1

6.5 Other polymers [i](#)

There are no such residues in this entry.